

860644128  
 Rev C, Feb 2019  
[www.commscope.com](http://www.commscope.com)

## 1HU Fiber Optic Patch Panel

### General

This instruction provides information for the Installation and routing of the fibers in 1HU Fiber Optic Patch Panel. Read this instruction before starting assembly.

The patch panels are designed to mount into standard 19" racks and feature a slide and tilt mechanism with allows for quick installations and enables future reconfigurations. It will accommodate either tight buffer or loose tube cable with fiber counts from 4 to 72 in any combination and it is available with either **LC**, **SC** connector interface. 3 kinds of typical application will be shown in the installation. Splicing trays + 3 adapter plates; Splicing cassette modules and 360G2 modules.

**Note:** sample product images are shown below.



### How to Contact Us

- To find out more about **CommScope®** products, visit us on the web at [www.commscope.com/](http://www.commscope.com/)
- For technical assistance:
  - Within the United States, contact your local account representative or technical support at 1-800-344-0223. Outside the United States, contact your local account representative or **PartnerPRO™** Network Partner.
  - Within the United States, report any missing/damaged parts or any other issues to **CommScope** Customer Claims at 1-866-539-2795 or email to [claims@commscope.com](mailto:claims@commscope.com). Outside the United States, contact your local account representative or **PartnerPRO** Network Partner.

### Tools Required

- Phillips head screwdriver



For RoHS Inquiries:  
 CommScope Inc.  
 Corke Abbey, Bray  
 Co. Dublin, Ireland  
 Attn: Legal Department

© 2017 CommScope, Inc.  
 All rights reserved

This product is covered by one or more U.S. patents or their foreign equivalents. For patents, see [www.commscope.com/ProductPatent/ProductPatent.aspx](http://www.commscope.com/ProductPatent/ProductPatent.aspx)

- Cable Stripper and cutters

## Parts List

Verify parts against parts list below:

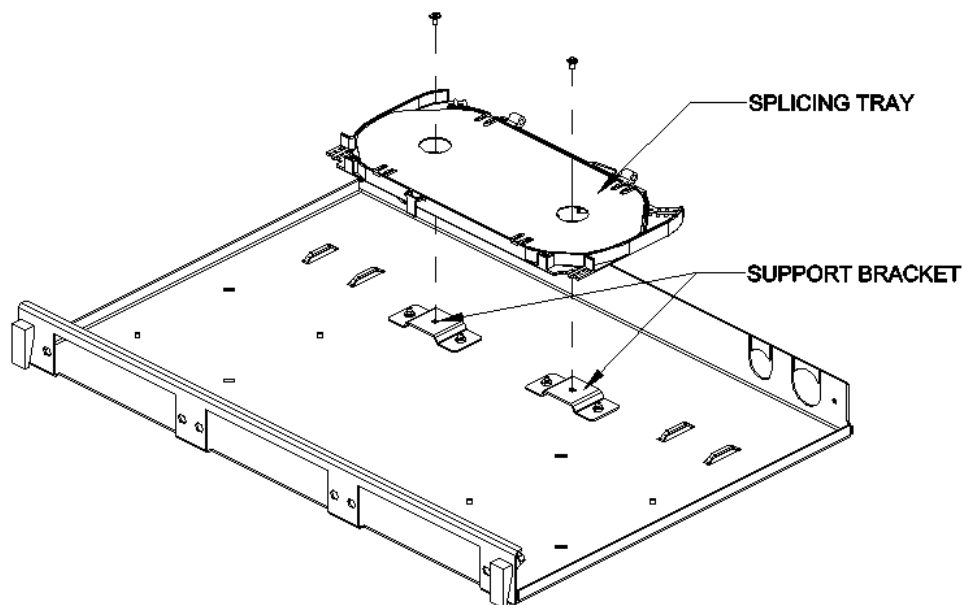
Quantity	Description
1	Patch panel
11	Wire loops
1	Gland M20, Clamping range min. 6mm, max. 12 mm
1	Gland M25, Clamping range min. 11mm, max. 17 mm
1	H20 Hole Plug
1	H25 Hole Plug
1	Laser label

## WARNING – Important Safety Instructions

Always wear eye protection when working with optical fibers. Never look into the end of terminated or unterminated fibers. Laser radiation is invisible but can damage eye tissue. Never eat, drink, or smoke when working with fibers. This could lead to ingestion of glass particles

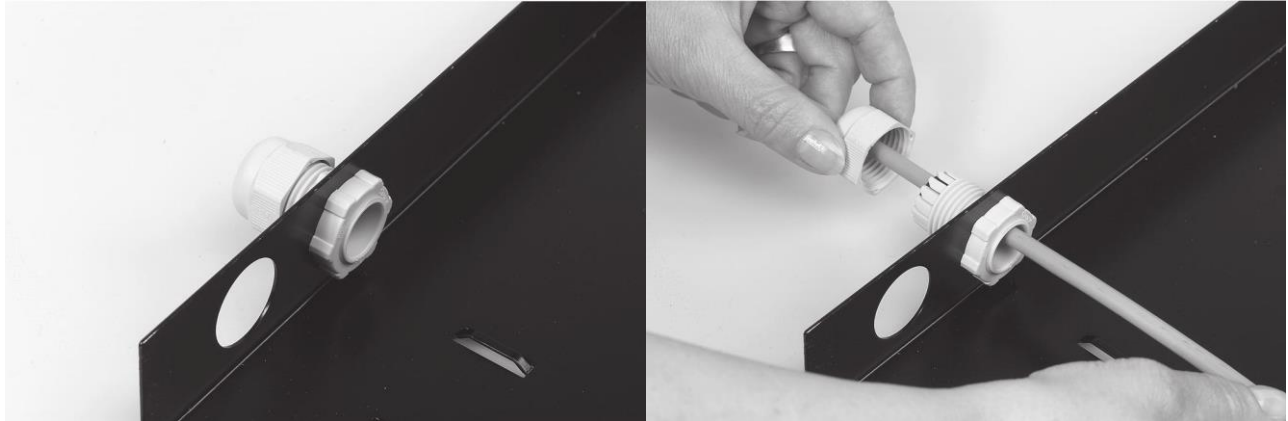
## Installation

### Step 1 – Install Splicing Tray



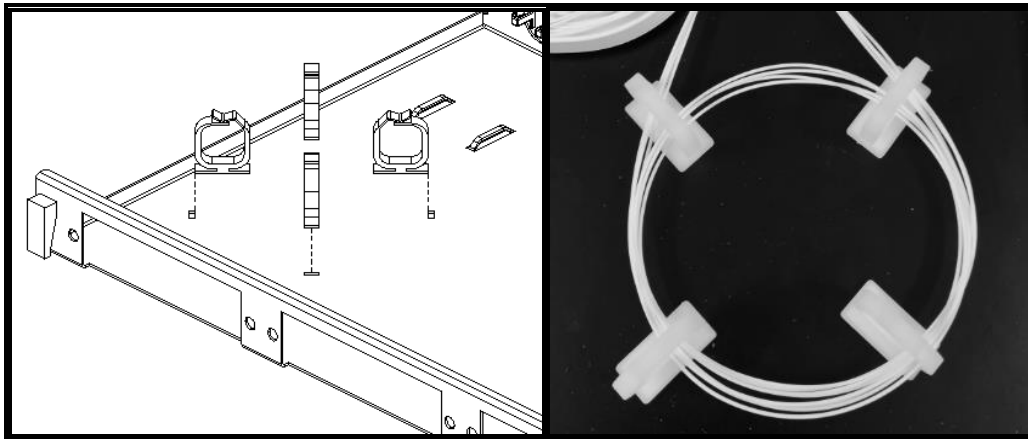
1. Install the plastic tray on the support brackets with screws as shown. The support brackets could be removed, if it is not for Splicing Tray Application.

## Step 2 – Install the Gland



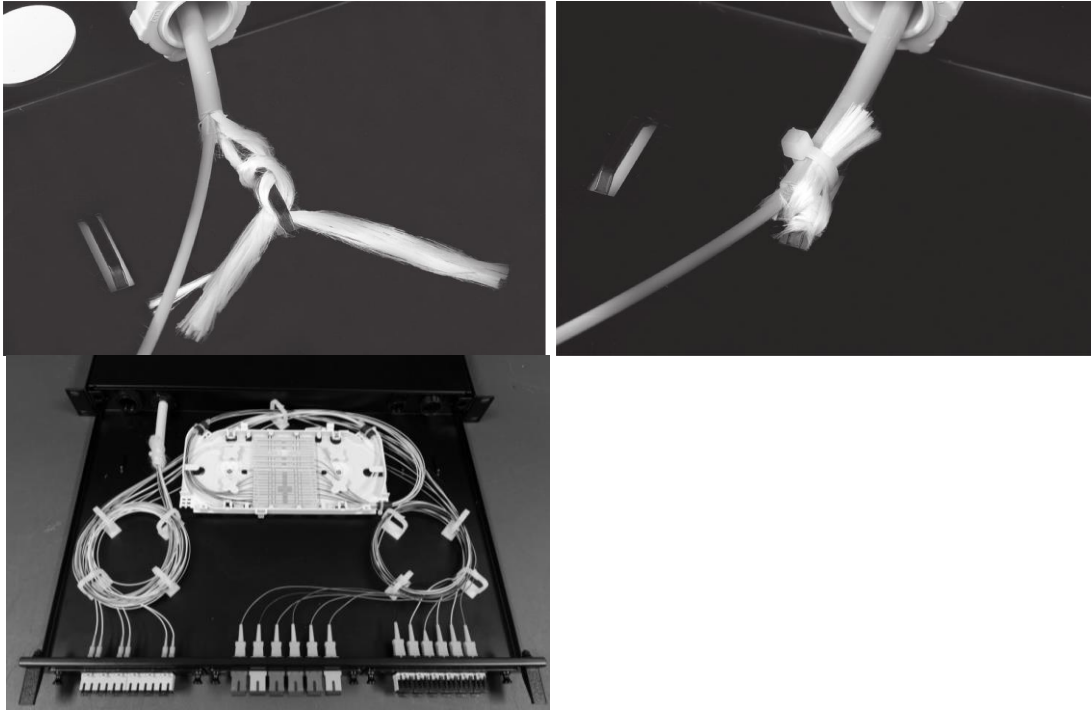
1. Install the gland at the back of the shelf.
2. Push the cable through the gland inside the shelf. Cable entry is provided at both sides on the back of the panel.

## Step 3 – Ring Group Location



1. Slops for rings location, paste the adhesive ring on the shelf as the above pic. Typically, four rings as a group.

## Step 4 A – Splicing Tray Application



1. Strip the cable over a length of 1.5 - 2 m.
2. The strength members (Kevlar) must be connected to the cable tie clamp on the bottom of the drawer. Wrap the Kevlar three times around a cable tie and connect the cable tie to the cassette clamp.
3. Install pigtails with fiber Optic Adapters, splicing with distribution cable, route and store fiber cable as above shown. Please reference 860646349 for splicing and cable routing in the tray.

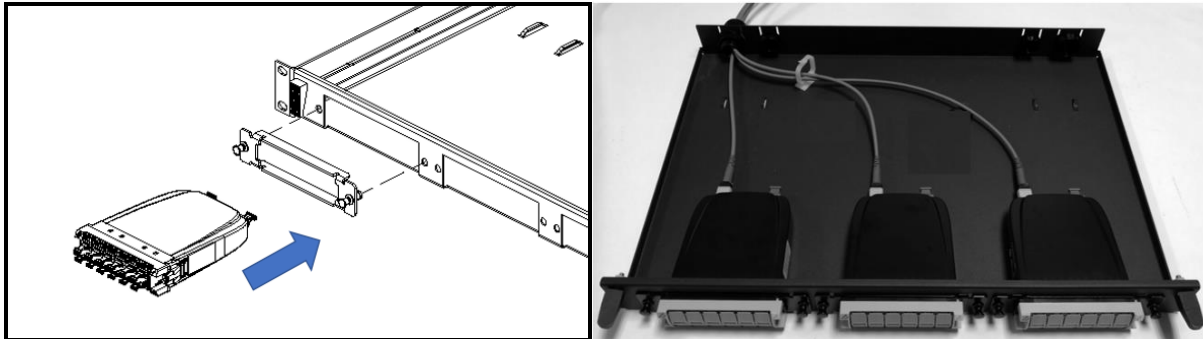
## Step 4 B – Splicing Cassette Application



1. Remove the support brackets firstly for the kind of application.
2. Be sure sufficient slack exists for incoming cables inside the shelf when the splicing Cassette used.

3. The strength members (Kevlar) must be connected to the cable tie clamp on the bottom of the drawer. Wrap the Kevlar three times around a cable tie and connect the cable tie to the cassette clamp.
4. Install SD splicing cassettes, splicing with distribution cable. Please reference 860634954 for SD splicing cassettes installation.

### Step 4 C – 360G2 Module Application



1. Remove the support brackets firstly for the kind of application.
2. A separate spare kit: 1000-360-ADPT-BRKT (760198325) is needed for 360G2 module' installation. Firstly, install the "1000-360-ADPT-BRKT" on the panel and lock the NY latch on both side, then push the 360G2 module into the bracket.
3. Choose appropriate size opening in shelf to accommodate cable gland on trunk cable. Select an opening on rear apron on either right or left side panel that will be most advantageous for cable entry. Feed MPO connector(s) on the 360G2 modules.