



BUDI Fiber Optic Wall mount Enclosure, 16 SC/APC adapters, single element FIST splice trays for 48 SMOUV splices

- Compact, wall mountable fiber enclosures for indoor and outdoor use
- Specifically designed for fast FTTH deployment and easy customer connection
- Available with splicing (FIST) and/or patching and/or splitter combinations
- Multiple and modular cable port sealing options using gel technology

## Product Classification

<b>Brand</b>	FIST™
<b>Product Type</b>	Fiber wall box
<b>Product Series</b>	BUDI
<b>Regional Availability</b>	EMEA

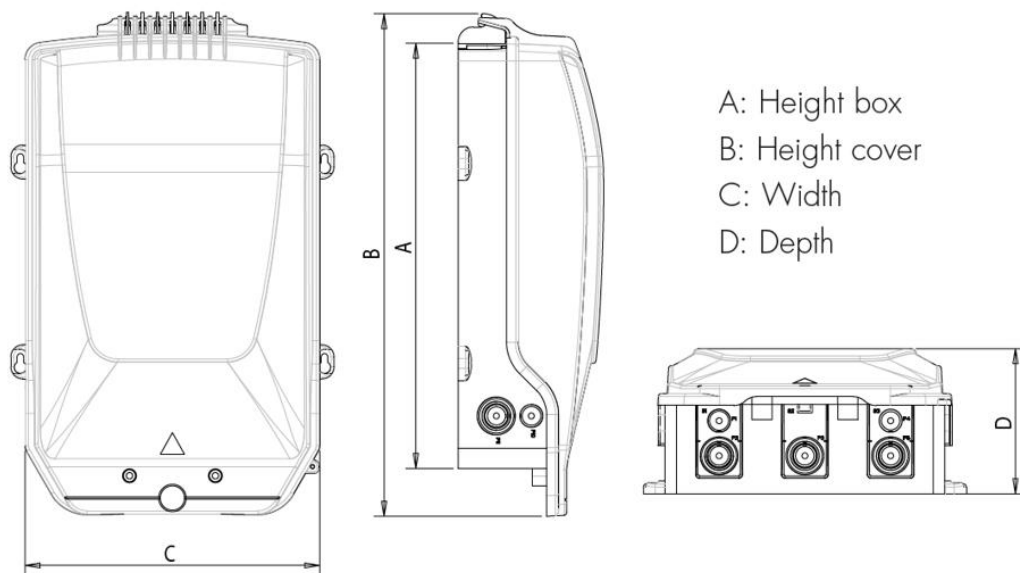
## General Specifications

<b>Enclosure Color</b>	Gray
<b>Functionality</b>	Patching   Splicing
<b>Interface Feature, input</b>	APC
<b>Interface, input</b>	SC
<b>Package, quantity</b>	1
<b>Packaging Type</b>	Box   Carton
<b>Port, quantity</b>	16
<b>Splice Tray Construction</b>	SE (Single element)
<b>Splicing Capacity, maximum</b>	48

## Dimensions

<b>Depth</b>	120.00 mm   4.72 in
<b>Height</b>	340.00 mm   13.39 in
<b>Height, with cover</b>	420.00 mm   16.54 in
<b>Width</b>	240.00 mm   9.45 in

## Dimension Drawing



**Dimension Drawing**      Used as an image placeholder

## Mechanical Specifications

<b>Access</b>	Front
<b>Enclosure Material Type</b>	LSZH thermoplastic
<b>Front Cover Type</b>	Snap-on cover
<b>Lock Type</b>	Key lock
<b>Mount Type</b>	Wall

## Optical Specifications

<b>Fiber Mode</b>	Singlemode
-------------------	------------

## Environmental Specifications

<b>Environmental Space</b>	Outdoor
<b>Qualification Standard</b>	IEC 60529, IP54   IEC 61753-1, category G

## Regulatory Compliance/Certifications

**Agency**  
 RoHS 2011/65/EU

**Classification**  
 Compliant

