

C195-NFQMR-M6



CNT-195 CNT® Jumper with interface types N Female and QMA Male
Right Angle, 0.6 m

Product Classification

Brand	CNT®
Product Series	CNT-195
Product Type	Braided cable assembly

General Specifications

Body Style, Connector A	Straight
Body Style, Connector B	Right angle
Interface, Connector A	N Female
Interface, Connector B	QMA Male
Length	0.600 m 1.969 ft
Nominal Size	0.195 in
Specification Sheet Revision Level	A

Jumper Assembly Sample Label

Batch 0123456789 **Manufacturing Date** (two digit year and week) US22 1240 **Product Revision** /A

Manufacturing Plant

Part Number F4-DMDM-2M-D

2 M (6.562 FT)
SUREFLEX ASSEMBLY
U.S. PATENT 5802710
Product of UNITED STATES

Serial Number 12US220001242

COMMScope® Andrew Solutions™

Return Loss/VSWR

Frequency Band	VSWR	Return Loss (dB)
700–3000 MHz	1.43	15.00

Regulatory Compliance/Certifications

Agency

ISO 9001:2015

Classification

Designed, manufactured and/or distributed under this quality management system



Included Products

195PNF-CR — Type N Female for CNT-195 braided cable

CNT-195-FR — CNT-195-FR, CNT® 50 Ohm Braided Coaxial Cable, black non-halogenated, fire retardant polyolefin jacket, Dca s2 d2 Compliant

CNT-195-P — CNT-195, CNT® 50 Ohm Braided Coaxial Cable, white plenum CMP(ETL) C(ETL), fire retardant.

419001003/10 | CNT-195-P-6G — CNT-195, CNT® 50 Ohm Braided Coaxial Cable, white plenum CMP(ETL) C(ETL), fire retardant.

195PNF-CR



Type N Female for CNT-195 braided cable

Product Classification

Brand	CNT®
Product Type	Braided cable connector

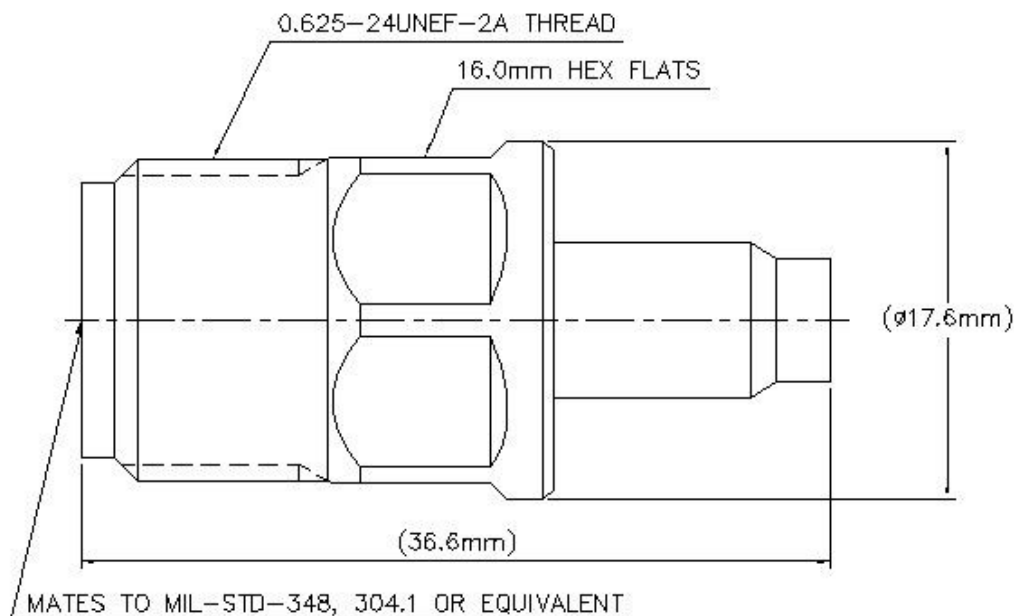
General Specifications

Interface	N Female
Body Style	Straight

Electrical Specifications

Operating Frequency Band	0 – 6000 MHz
Cable Impedance	50 ohm
Connector Impedance	50 ohm
RF Operating Voltage, maximum (vrms)	353.00 V
dc Test Voltage	1000 V
Outer Contact Resistance, maximum	0.25 mOhm
Inner Contact Resistance, maximum	1.00 mOhm
Insulation Resistance, minimum	5000 MOhm
Peak Power, maximum	2.50 kW
Insertion Loss, typical	0.05 dB

Outline Drawing



Mechanical Specifications

Outer Contact Attachment Method	Crimp
Outer Contact Plating	Trimetal
Inner Contact Plating	Silver
Inner Contact Attachment Method	Solder
Interface Durability	500 cycles
Interface Durability Method	IEC 61169-16:9.5
Connector Retention Tensile Force	134 N 30 lbf
Connector Retention Torque	0.17 N-m 0.13 ft lb

Dimensions

Nominal Size	0.195 in
Diameter	17.60 mm 0.69 in
Length	36.62 mm 1.44 in
Weight	38.00 g 0.08 lb
Width	17.60 mm 0.69 in

Environmental Specifications

195PNF-CR

Operating Temperature	-40 °C to +85 °C (-40 °F to +185 °F)
Storage Temperature	-65 °C to +125 °C (-85 °F to +257 °F)
Water Jetting Test Mating	Mated
Water Jetting Test Method	IEC 60529:2001, IP65
Mechanical Shock Test Method	IEC 60068-2-27
Climatic Sequence Test Method	IEC 60068-1
Damp Heat Steady State Test Method	IEC 60068-2-3
Thermal Shock Test Method	IEC 60068-2-14
Vibration Test Method	IEC 60068-2-6
Corrosion Test Method	IEC 60068-2-11

Standard Conditions

Attenuation, Ambient Temperature	20 °C 68 °F
Average Power, Ambient Temperature	40 °C 104 °F
Average Power, Inner Conductor Temperature	100 °C 212 °F

Return Loss/VSWR

Frequency Band	VSWR	Return Loss (dB)
0–3000 MHz	1.09	27.00
3000–6000 MHz	1.17	22.00

Regulatory Compliance/Certifications

Agency

RoHS 2011/65/EU
ISO 9001:2015
China RoHS SJ/T 11364-2014

Classification

Compliant by Exemption
Designed, manufactured and/or distributed under this quality management system
Above Maximum Concentration Value (MCV)



* Footnotes

Insertion Loss, typical 0.05√freq (GHz) (not applicable for elliptical waveguide)

CNT-195-FR

CNT-195-FR, CNT® 50 Ohm Braided Coaxial Cable, black non-halogenated, fire retardant polyolefin jacket, Dca s2 d2 Compliant



Product Classification

Brand	CNT®
Product Series	CNT-195
Product Type	Braided coaxial cable

Standards And Qualifications

EN50575 CPR Cable EuroClass	Dca s2 d2
------------------------------------	---------------

Construction Materials

Jacket Color	Black
Jacket Material	Non-halogenated, fire retardant polyolefin
Braid Material	Tinned copper
Shield Tape Material	Aluminum
Dielectric Material	Foam PE
Inner Conductor Material	Copper

Dimensions

Cable Weight	0.03 kg/m
Diameter Over Dielectric	2.790 mm 0.110 in
Diameter Over Jacket	4.950 mm 0.195 in
Inner Conductor OD	0.9400 mm 0.0370 in
Nominal Size	0.195 in
Outer Conductor OD	3.500 mm 0.138 in

Electrical Specifications

Cable Impedance	50 ohm
Capacitance	79.7 pF/m 24.3 pF/ft
dc Resistance, Inner Conductor	25.500 ohms/km 7.780 ohms/kft
dc Resistance, Outer Conductor	16.080 ohms/km 4.900 ohms/kft

CNT-195-FR

dc Test Voltage	1500 V
Jacket Spark Test Voltage (rms)	3000 V
Maximum Frequency	37.90 GHz
Operating Frequency Band	30 – 6000 MHz
Peak Power	2.5 kW
Shielding Effectiveness, minimum	90 dB
Velocity	75 %

Environmental Specifications

Installation Temperature	-40 °C to +60 °C (-40 °F to +140 °F)
Operating Temperature	-40 °C to +60 °C (-40 °F to +140 °F)
Storage Temperature	-40 °C to +60 °C (-40 °F to +140 °F)

General Specifications

Cable Type	CNT-195
Braid Coverage	89 %
Packaging Type	Reel

Mechanical Specifications

Bending Moment	0.3 N-m 0.2 ft lb
Flat Plate Crush Strength	0.3 kg/mm 15.0 lb/in
Minimum Bend Radius, Single Bend	12.70 mm 0.50 in
Smoke Index Test Method	IEC 61034
Tensile Strength	18 kg 40 lb
Toxicity Index Test Method	IEC 60754-2

Electrical Performance

Frequency	Attenuation (dB/100 m)	Attenuation (dB/100 ft)
30 MHz	6.56	2.00
50 MHz	8.53	2.60
150 MHz	14.43	4.40
220 MHz	17.71	5.40
450 MHz	25.58	7.80
700 MHz	32.05	9.77
800 MHz	34.31	10.46
900 MHz	36.41	11.10
1500 MHz	47.79	14.57
1800 MHz	52.48	16.00
2100 MHz	56.84	17.33
2500 MHz	62.32	19.00
3000 MHz	68.58	20.91
4000 MHz	79.87	24.35

4500 MHz	85.05	25.93
5000 MHz	89.97	27.43
5200 MHz	91.87	28.01
5500 MHz	94.66	28.86
5800 MHz	97.42	29.70
6000 MHz	99.19	30.24

* Values typical, guaranteed within 5%

Regulatory Compliance/Certifications

Agency

RoHS 2011/65/EU
ISO 9001:2015
China RoHS SJ/T 11364-2014
CENELEC

Classification

Compliant
Designed, manufactured and/or distributed under this quality management system
Above Maximum Concentration Value (MCV)
EN 50575 compliant, Declaration of Performance (DoP) available



CNT-195-P



CNT-195, CNT® 50 Ohm Braided Coaxial Cable, white plenum CMP(ETL) C (ETL), fire retardant.

Product Classification

Brand	CNT®
Product Series	CNT-195
Product Type	Braided coaxial cable

Construction Materials

Jacket Color	White
Jacket Material	Fire retardant PVC
Braid Material	Tinned copper
Shield Tape Material	Aluminum
Dielectric Material	Foam FEP
Inner Conductor Material	Copper

Dimensions

Cable Weight	37.00 kg/km
Diameter Over Dielectric	2.790 mm 0.110 in
Diameter Over Jacket	4.320 mm 0.170 in
Inner Conductor OD	0.9400 mm 0.0370 in
Outer Conductor OD	3.530 mm 0.139 in

Electrical Specifications

Cable Impedance	50 ohm
Capacitance	87.2 pF/m 26.6 pF/ft
dc Resistance, Inner Conductor	25.500 ohms/km 7.780 ohms/kft
dc Resistance, Outer Conductor	16.080 ohms/km 4.900 ohms/kft
dc Test Voltage	2000 V
Jacket Spark Test Voltage (rms)	2000 V
Maximum Frequency	37.90 GHz
Operating Frequency Band	30 – 6000 MHz
Peak Power	2.5 kW
Shielding Effectiveness, minimum	90 dB
Velocity	75 %

Environmental Specifications

Installation Temperature	-40 °C to +75 °C (-40 °F to +167 °F)
Operating Temperature	-40 °C to +75 °C (-40 °F to +167 °F)

CNT-195-P

Storage Temperature -40 °C to +75 °C (-40 °F to +167 °F)

General Specifications

Cable Type CNT-195
Braid Coverage 89 %
Packaging Type Reel

Mechanical Specifications

Bending Moment 0.1 N-m | 0.1 ft lb
Flat Plate Crush Strength 0.3 kg/mm | 15.0 lb/in
Minimum Bend Radius, Single Bend 12.70 mm | 0.50 in
Tensile Strength 18 kg | 40 lb

Electrical Performance

Frequency	Attenuation (dB/100 m)	Attenuation (dB/100 ft)
30 MHz	6.56	2.00
50 MHz	8.20	2.50
150 MHz	14.43	4.40
220 MHz	17.40	5.30
450 MHz	25.58	7.80
900 MHz	37.79	11.52
1800 MHz	56.88	17.34
2500 MHz	68.95	21.02
3000 MHz	76.39	23.29
4000 MHz	89.90	27.41
4500 MHz	96.20	29.33
5000 MHz	102.80	31.34
5200 MHz	105.32	32.11
5500 MHz	108.50	33.08
5800 MHz	112.18	34.20
6000 MHz	114.41	34.88

* Values typical, guaranteed within 5%

Regulatory Compliance/Certifications

Agency	Classification
RoHS 2011/65/EU	Compliant
ISO 9001:2015	Designed, manufactured and/or distributed under this quality management system
China RoHS SJ/T 11364-2014	Below Maximum Concentration Value (MCV)





CNT-195, CNT® 50 Ohm Braided Coaxial Cable, white plenum CMP(ETL) C (ETL), fire retardant.

Product Classification

Brand	CNT®
Product Series	CNT-195
Product Type	Braided coaxial cable

Construction Materials

Jacket Color	White
Jacket Material	Fire retardant PVC
Braid Material	Tinned copper
Shield Tape Material	Aluminum
Dielectric Material	Foam FEP
Inner Conductor Material	Copper

Dimensions

Cable Weight	37.00 kg/km
Diameter Over Dielectric	2.790 mm 0.110 in
Diameter Over Jacket	4.320 mm 0.170 in
Inner Conductor OD	0.9400 mm 0.0370 in
Outer Conductor OD	3.530 mm 0.139 in

Electrical Specifications

Cable Impedance	50 ohm
Capacitance	87.2 pF/m 26.6 pF/ft
dc Resistance, Inner Conductor	25.400 ohms/km 7.740 ohms/kft
dc Resistance, Outer Conductor	16.080 ohms/km 4.900 ohms/kft
dc Test Voltage	2000 V
Jacket Spark Test Voltage (rms)	2000 V
Maximum Frequency	37.90 GHz
Operating Frequency Band	1 – 6000 MHz
Peak Power	2.5 kW
Shielding Effectiveness, minimum	90 dB
Velocity	75 %

Environmental Specifications

Installation Temperature	-40 °C to +75 °C (-40 °F to +167 °F)
Operating Temperature	-40 °C to +75 °C (-40 °F to +167 °F)

Storage Temperature -40 °C to +75 °C (-40 °F to +167 °F)

General Specifications

Cable Type CNT-195
Braid Coverage 89 %
Packaging Type Reel

Mechanical Specifications

Bending Moment 0.1 N-m | 0.1 ft lb
Flat Plate Crush Strength 0.3 kg/mm | 15.0 lb/in
Minimum Bend Radius, Single Bend 12.70 mm | 0.50 in
Tensile Strength 18 kg | 40 lb

Return Loss/VSWR

Frequency Band	VSWR	Return Loss (dB)
100–6000 MHz	1.38	16.00

Electrical Performance

Frequency	Attenuation (dB/100 m)	Attenuation (dB/100 ft)
30 MHz	6.56	2.00
50 MHz	8.20	2.50
150 MHz	14.43	4.40
220 MHz	17.40	5.30
450 MHz	25.58	7.80
900 MHz	37.79	11.52
1800 MHz	56.88	17.34
2500 MHz	68.95	21.02
3000 MHz	76.39	23.29
4000 MHz	89.90	27.41
4500 MHz	96.20	29.33
5000 MHz	102.80	31.34
5200 MHz	105.32	32.11
5500 MHz	108.50	33.08
5800 MHz	112.18	34.20
6000 MHz	114.41	34.88

* Values typical, guaranteed within 5%

Regulatory Compliance/Certifications

Agency	Classification
RoHS 2011/65/EU	Compliant
ISO 9001:2015	Designed, manufactured and/or distributed under this quality management system
China RoHS SJ/T 11364-2014	Above Maximum Concentration Value (MCV)

