



Powered Fiber Cable, OM3, 2 Fibers, Outdoor, 16AWG Conductor

- Easy peel, stranded conductors for maximum cable flexibility and rapid access
- Polarization indentation along one side of the cable for polarity identification
- No special tools or mounting hardware required - usage of a standard "FTTH" pressure clamp for aerial installation
- Easy split of cable into three separate sections for separate routing in closures, as needed for installation
- Polyethylene jacket for outdoor duct or direct buried applications

Product Classification

Product Type	Hybrid cable, fiber and power
Regional Availability	Asia Australia/New Zealand EMEA Latin America North America

Standards And Qualifications

Cable Qualification Standards	Telcordia GR-20-CORE Issue 4
--------------------------------------	------------------------------

General Specifications

Cable Type	Stranded outdoor
Conductor Gauge	16 AWG
Ordering Note	Minimum order quantity is 500 meter

Construction Materials

Total Fiber Count	2
Fiber Type	OM3, bend insensitive
Jacket Color	Black
Jacket UV Resistance	UV stabilized

Dimensions

Cable Weight	70.0 kg/km
Height Over Jacket	4.30 mm 0.17 in
Width Over Jacket	11.50 mm 0.45 in

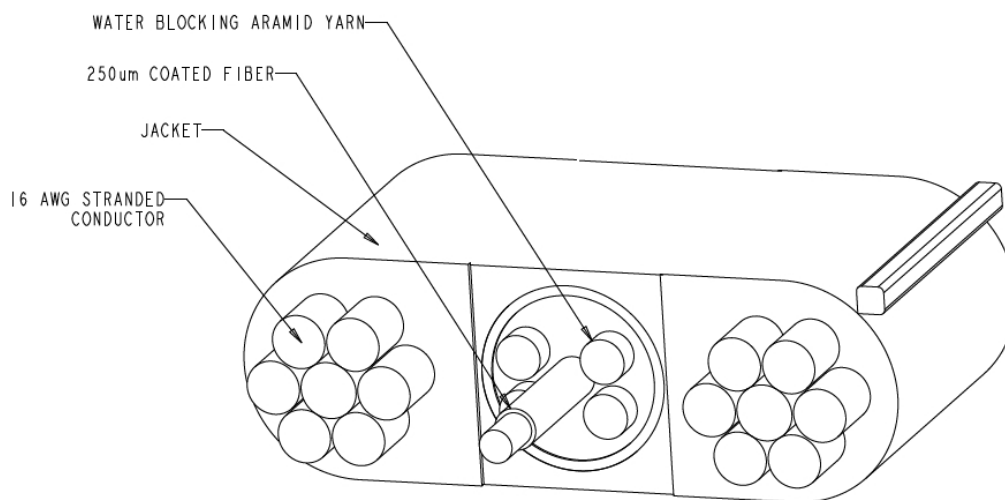
Physical Specifications

Minimum Bend Radius, loaded	50.0 mm 2.0 in
Minimum Bend Radius, unloaded	30.0 mm 1.2 in
Tensile Load, long term, maximum	132 N 30 lbf
Tensile Load, short term, maximum	440 N 99 lbf
Vertical Rise, maximum	122.0 m 400.3 ft

Environmental Specifications

Environmental Space	Outdoor
Installation Temperature	-10 °C to +60 °C (+14 °F to +140 °F)
Operating Temperature	-40 °C to +70 °C (-40 °F to +158 °F)
Storage Temperature	-40 °C to +70 °C (-40 °F to +158 °F)

Outline Drawing



Regulatory Compliance/Certifications

Agency
RoHS 2011/65/EU

Classification
Compliant



Included Products

CS-5E-PFC (Product Component—not orderable) — 50µm OM3 Bend-Insensitive Multimode Fiber

* Footnotes

Operating Temperature Specification applicable to non-terminated bulk fiber cable