



Powered Fiber Cable, OM3, 2 Fibers, Outdoor, 16AWG Conductor, Printed in FEET

- Easy peel, stranded conductors for maximum cable flexibility and rapid access
- Polarization indentation along one side of the cable for polarity identification
- No special tools or mounting hardware required - usage of a standard "FTTH" pressure clamp for aerial installation
- Easy split of cable into three separate sections for separate routing in closures, as needed for installation
- Polyethylene jacket for outdoor duct or direct buried applications

Product Classification

Product Type Hybrid cable, fiber and power
Regional Availability North America

Standards And Qualifications

Cable Qualification Standards Telcordia GR-20-CORE Issue 4

General Specifications

Cable Type Stranded outdoor
Conductor Gauge 16 AWG
Ordering Note Minimum order quantity is 1640 feet

Construction Materials

Total Fiber Count 2
Fiber Type OM3, bend insensitive
Jacket Color Black
Jacket UV Resistance UV stabilized

Dimensions

Cable Weight 70.0 kg/km
Height Over Jacket 4.30 mm | 0.17 in
Width Over Jacket 11.50 mm | 0.45 in

Physical Specifications

Minimum Bend Radius, loaded 50.0 mm | 2.0 in
Minimum Bend Radius, unloaded 30.0 mm | 1.2 in
Tensile Load, long term, maximum 132 N | 30 lbf
Tensile Load, short term, maximum 440 N | 99 lbf

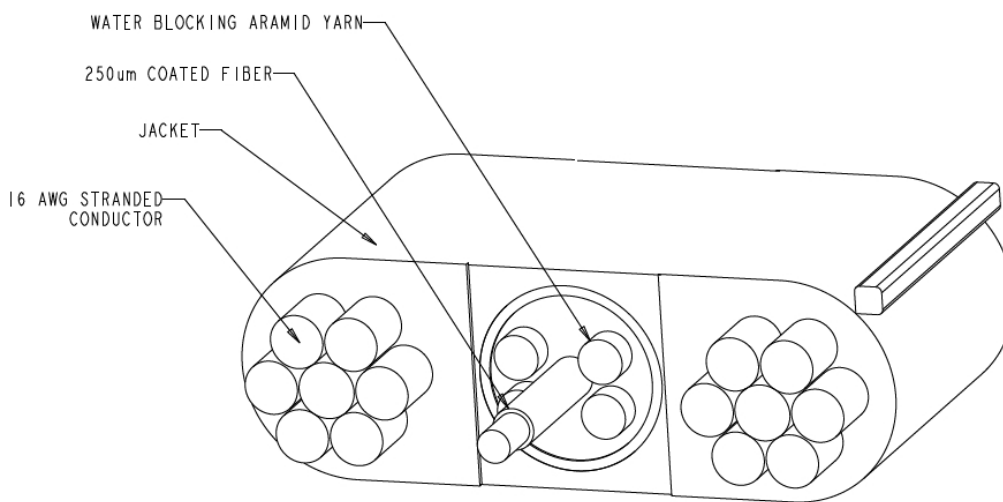
PFC-302016F

Vertical Rise, maximum 122.0 m | 400.3 ft

Environmental Specifications

Environmental Space Outdoor
Installation Temperature -10 °C to +60 °C (+14 °F to +140 °F)
Operating Temperature -40 °C to +70 °C (-40 °F to +158 °F)
Storage Temperature -40 °C to +70 °C (-40 °F to +158 °F)

Outline Drawing



Regulatory Compliance/Certifications

Agency
RoHS 2011/65/EU

Classification
Compliant



Included Products

CS-5E-PFC (Product Component—not orderable) — 50µm OM3 Bend-Insensitive Multimode Fiber

* Footnotes

Operating Temperature Specification applicable to non-terminated bulk fiber cable