



Powered Fiber Cable, OM3, 2 Fibers, Indoor/Outdoor, 16AWG Conductor, meter

- Easy peel, stranded conductors for maximum cable flexibility and rapid access
- Polarization indentation along one side of the cable for polarity identification
- No special tools or mounting hardware required - usage of a standard "FTTH" pressure clamp for aerial installation
- Easy split of cable into three separate sections for separate routing in closures, as needed for installation
- Riser/LSZH jacket for indoor/outdoor applications

Product Classification

Product Type Hybrid cable, fiber and power
Regional Availability Asia | Australia/New Zealand | EMEA | Latin America | North America

Standards And Qualifications

Cable Qualification Standards Telcordia GR-20-CORE Issue 4
EN50575 CPR Cable EuroClass Dca | s1a | d1 | a1

General Specifications

Cable Type Stranded indoor/outdoor
Conductor Gauge 16 AWG
Ordering Note Minimum order quantity is 500 meter

Construction Materials

Total Fiber Count 2
Fiber Type OM3, bend insensitive
Jacket Color Black
Jacket UV Resistance UV stabilized

Dimensions

Cable Weight 70.0 kg/km
Height Over Jacket 4.30 mm | 0.17 in
Width Over Jacket 11.50 mm | 0.45 in

Physical Specifications

Minimum Bend Radius, loaded 90.0 mm | 3.5 in
Minimum Bend Radius, unloaded 45.0 mm | 1.8 in
Tensile Load, long term, maximum 132 N | 30 lbf

PFC-302L16

Tensile Load, short term, maximum 440 N | 99 lbf
Vertical Rise, maximum 122.0 m | 400.3 ft

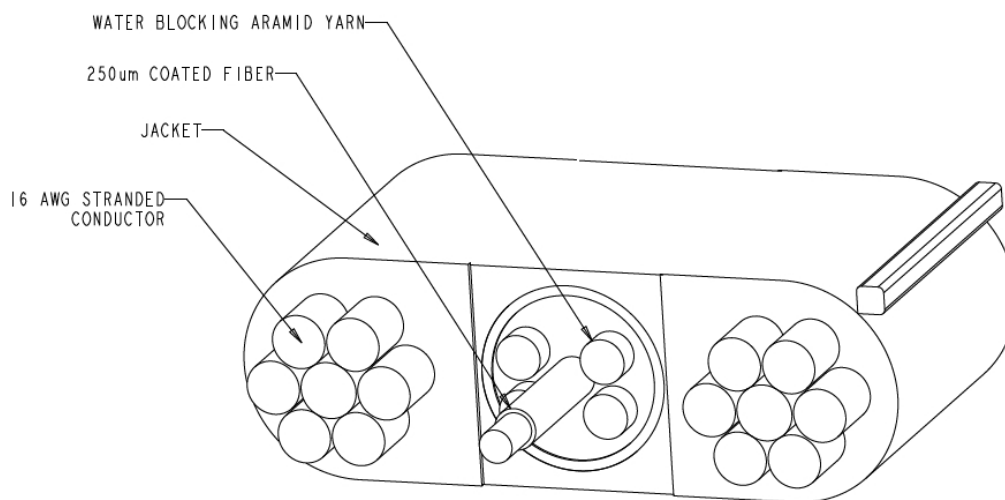
Flame Test Specifications

Flame Test Method IEC 60332-1-2 | IEC 60754-2 | IEC 61034-2 | UL 1666 | UL 444

Environmental Specifications

Environmental Space Low Smoke Zero Halogen (LSZH) | Riser
Installation Temperature -10 °C to +60 °C (+14 °F to +140 °F)
Operating Temperature -40 °C to +70 °C (-40 °F to +158 °F)
Storage Temperature -40 °C to +70 °C (-40 °F to +158 °F)

Outline Drawing



Regulatory Compliance/Certifications

Agency
RoHS 2011/65/EU
CENELEC

Classification
Compliant
EN 50575 compliant, Declaration of Performance (DoP) available



PFC-302L16

Included Products

CS-5E-PFC (Product Component—not orderable) — 50µm OM3 Bend-Insensitive Multimode Fiber

* Footnotes

Operating Temperature Specification applicable to non-terminated bulk fiber cable

50µm OM3 Bend-Insensitive Multimode Fiber

Product Classification

Portfolio	CommScope®
Product Type	Optical fiber
Regional Availability	Asia Australia/New Zealand EMEA Latin America North America

Optical Specifications, Wavelength Specific

Standards Compliance	TIA-492AAAC (OM3)
Attenuation, maximum	1.20 dB/km @ 1300 nm 3.00 dB/km @ 850 nm
Differential Mode Delay Note	Superior to TIA-492AAAC and IEC 60793-2-10 at 850 nm
Index of Refraction	1.477 @ 1300 nm 1.482 @ 850 nm
Bandwidth, Laser, minimum	500 MHz-km @ 1300 nm 2000 MHz-km @ 850 nm
Bandwidth, OFL, minimum	500 MHz-km @ 1300 nm 1500 MHz-km @ 850 nm
Backscatter Coefficient	-75.7 dB @ 1300 nm -68.0 dB @ 850 nm

Physical Specifications

Cladding Diameter	125.0 µm
Cladding Diameter Tolerance	±0.8 µm
Cladding Non-Circularity, maximum	0.7 %
Coating Diameter (Colored)	242 µm
Coating Diameter Tolerance (Colored)	±7 µm
Coating/Cladding Concentricity Error, maximum	10 µm
Core Diameter	50.0 µm
Core Diameter Tolerance	±2.5 µm
Core/Clad Offset, maximum	1.0 µm

Optical Specifications, General

Numerical Aperture	0.200
Numerical Aperture Tolerance	±0.015
Point Defects, maximum	0.20 dB
Zero Dispersion Slope, maximum	0.105 ps/[km-nm-nm]
Zero Dispersion Wavelength, maximum	1340 nm
Zero Dispersion Wavelength, minimum	1295 nm

Mechanical Specifications

Coating Strip Force, maximum	8.9 N 2.0 lbf
Coating Strip Force, minimum	1.3 N 0.3 lbf
Dynamic Fatigue Parameter, minimum	25
Macrobanding, 15 mm mandrel, 2 turns	0.20 dB @ 850 nm 0.50 dB @ 1300 nm
Macrobanding, 30 mm mandrel, 2 turns	0.10 dB @ 850 nm 0.30 dB @ 1300 nm
Proof Test	689.48 N/mm ² 100000.00 psi

Environmental Specifications

Heat Aging, maximum	0.10 dB/km @ 85 °C
Temperature Dependence, maximum	0.10 dB/km
Temperature Humidity Cycling, maximum	0.10 dB/km
Water Immersion, maximum	0.10 dB/km @ 23 °C

Regulatory Compliance/Certifications

Agency	Classification
ISO 9001:2015	Designed, manufactured and/or distributed under this quality management system



* Footnotes

Temperature Dependence, maximum	Temperature dependence is conducted at -60 °C to +85 °C (-76 °F to +185 °F)
Temperature Humidity Cycling, maximum	Temperature humidity cycling is conducted at -10 °C to +85 °C (+14 °F to +185 °F) up to 95% relative humidity