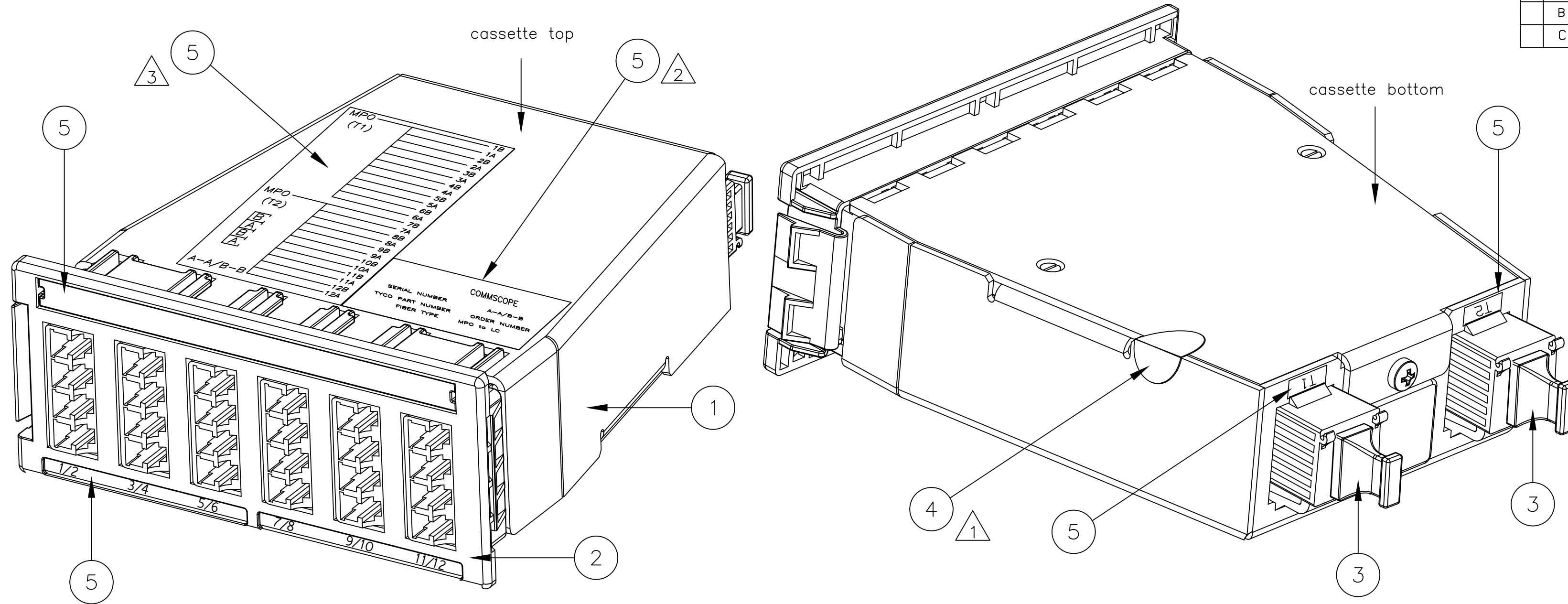


THIS DRAWING IS UNPUBLISHED. RELEASED FOR PUBLICATION
 © 2016 Commscope, INC. Confidential NOTICE: These drawings and specifications are the proprietary property of COMMSCOPE, INC. and may be used only for the specific purpose authorized in writing by COMMSCOPE, INC.

REVISIONS					
P	LTR	DESCRIPTION	DATE	DWN	APVD
B		ECR-12-019863	28062013	MO	MO
C		ECN 8000018218 REBRANDING	18012017	RCR	SC



OPTICAL PERFORMANCE FOR CASSETTES

- PERFORMANCE EXCEEDS REQUIREMENTS I.S. 11801, TIA/EIA 568.B3
- ATTENUATION ALL MEASURED ACCORDING I.E.C. 61300-3-4; WITH MODAL CONDITION ACCORDING TO: IS 14763-3, OFSTP-14, IEC 61280-4-1
- RETURN LOSS ALL MEASURED ACCORDING I.E.C. 61300-3-6; WITH MODAL CONDITION ACCORDING TO: IS 14763-3, OFSTP-14, IEC 61280-4-1

FOR OM1:	ATTENUATION $\leq 1,0\text{dB}^*$, MEASURED BETWEEN REFERENCE CONNECTORS AT 850 nm AND 1300 nm
(MM62,5)	RETURN LOSS $\geq 20\text{dB}$, MEASURED BETWEEN REFERENCE CONNECTORS AT 850 nm AND 1300 nm
FOR OM2:	ATTENUATION $\leq 1,0\text{dB}^*$, MEASURED BETWEEN REFERENCE CONNECTORS AT 850 nm AND 1300 nm
(MM50)	RETURN LOSS $\geq 20\text{dB}$, MEASURED BETWEEN REFERENCE CONNECTORS AT 850 m AND 1300 nm
FOR OM3:	ATTENUATION $\leq 0,75\text{dB}^*$, MEASURED BETWEEN REFERENCE CONNECTORS AT 850 nm
(MM50)	RETURN LOSS $\geq 23\text{dB}$, MEASURED BETWEEN REFERENCE CONNECTORS AT 850 nm
FOR OS2/PC:	ATTENUATION $\leq 0.75\text{dB}$ MEASURED BETWEEN REFERENCE CONNECTORS AT 1310 m AND 1550 nm
(SM 9/125)	RETURN LOSS $\geq 35\text{dB}$, MEASURED BETWEEN REFERENCE CONNECTORS AT 1310 nm AND 1550 nm
FOR OS2/APC:	ATTENUATION $\leq 0.75\text{dB}$ MEASURED BETWEEN REFERENCE CONNECTORS AT 1310 m AND 1550 nm
(SM 9/125)	RETURN LOSS $\geq 45\text{dB}$, MEASURED BETWEEN REFERENCE CONNECTORS AT 1310 nm AND 1550 nm

* CASSETTE LOSS: EACH CASSETTE CONTAINS 2 CONNECTIONS PER FIBER CHANNEL

PART NUMBER	TYPE	PART NUMBER	ADAPTER COLOR
1671206-1	MM62.5 (OM1) (LC/PC)	1-1671206-1	BEIGE
1671206-2	MM50 (OM2) (LC/PC)	1-1671206-2	BEIGE
1671206-3	MM50 (OM3)** (LC/PC)	1-1671206-3	AQUA
1671206-4	SM (OS2) (LC/PC)	1-1671206-4	BLUE
1671206-6	SM (OS2) (LC/APC 8°)	1-1671206-6	GREEN

** USE OF MPOptimate VARIANT RECOMMENDED FOR HIGH CONNECTIVITY APPLICATIONS

- 1 WARRANTY VOID IF SEAL IS BROKEN
- 2 LABEL INFORMATION: EXAMPLE:

COMMSCOPE	
SERIAL NUMBER	A-A/B-B
PART NUMBER	ORDER NUMBER
[FIBER TYPE] MPO to LC	
- 3 INFORMATION LABEL FOR FIBER PATH
- 4 TEST RESULT SHEET SUPPLIED WITH EACH INDIVIDUALLY PACKED CASSETTE

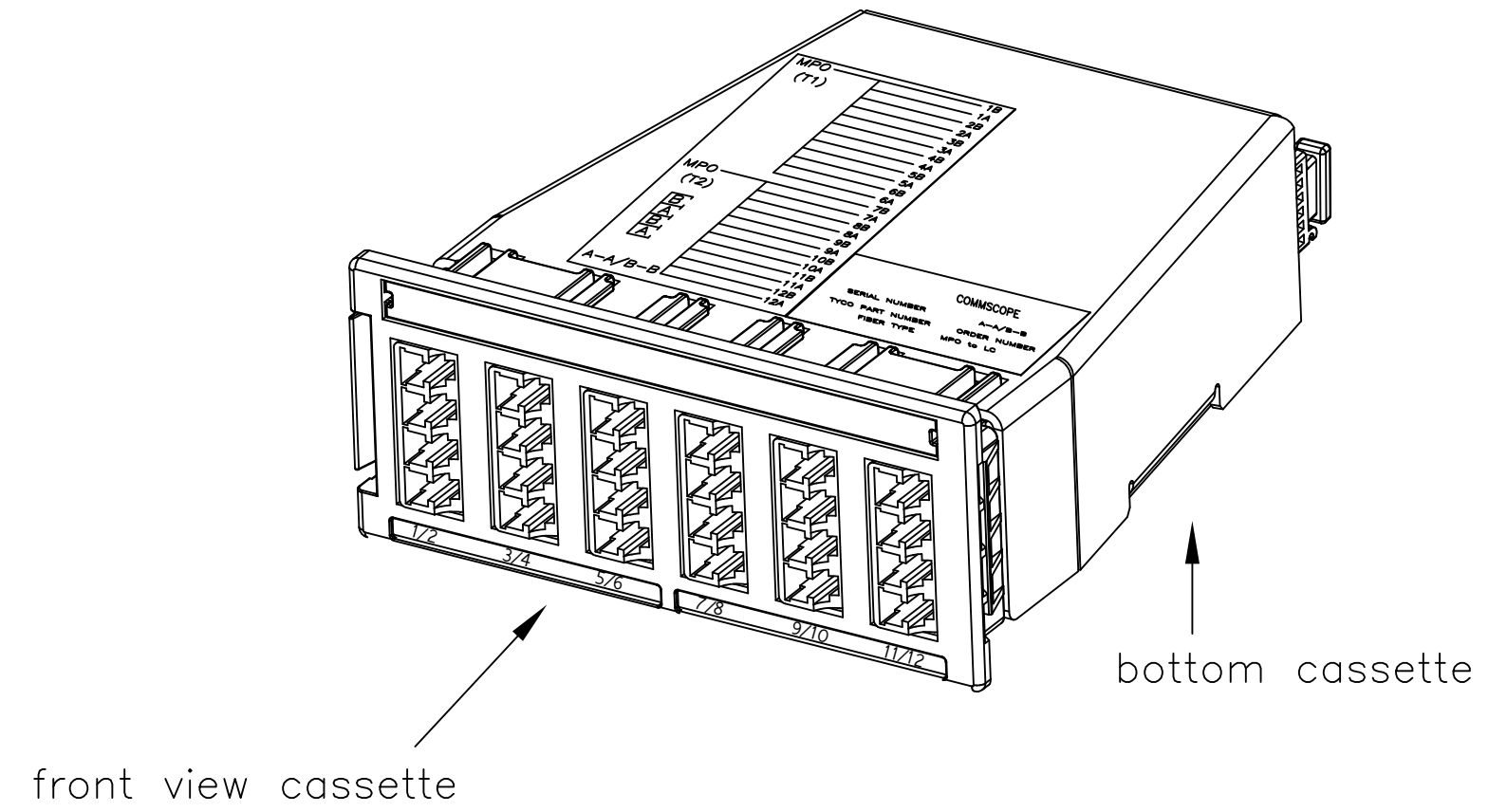
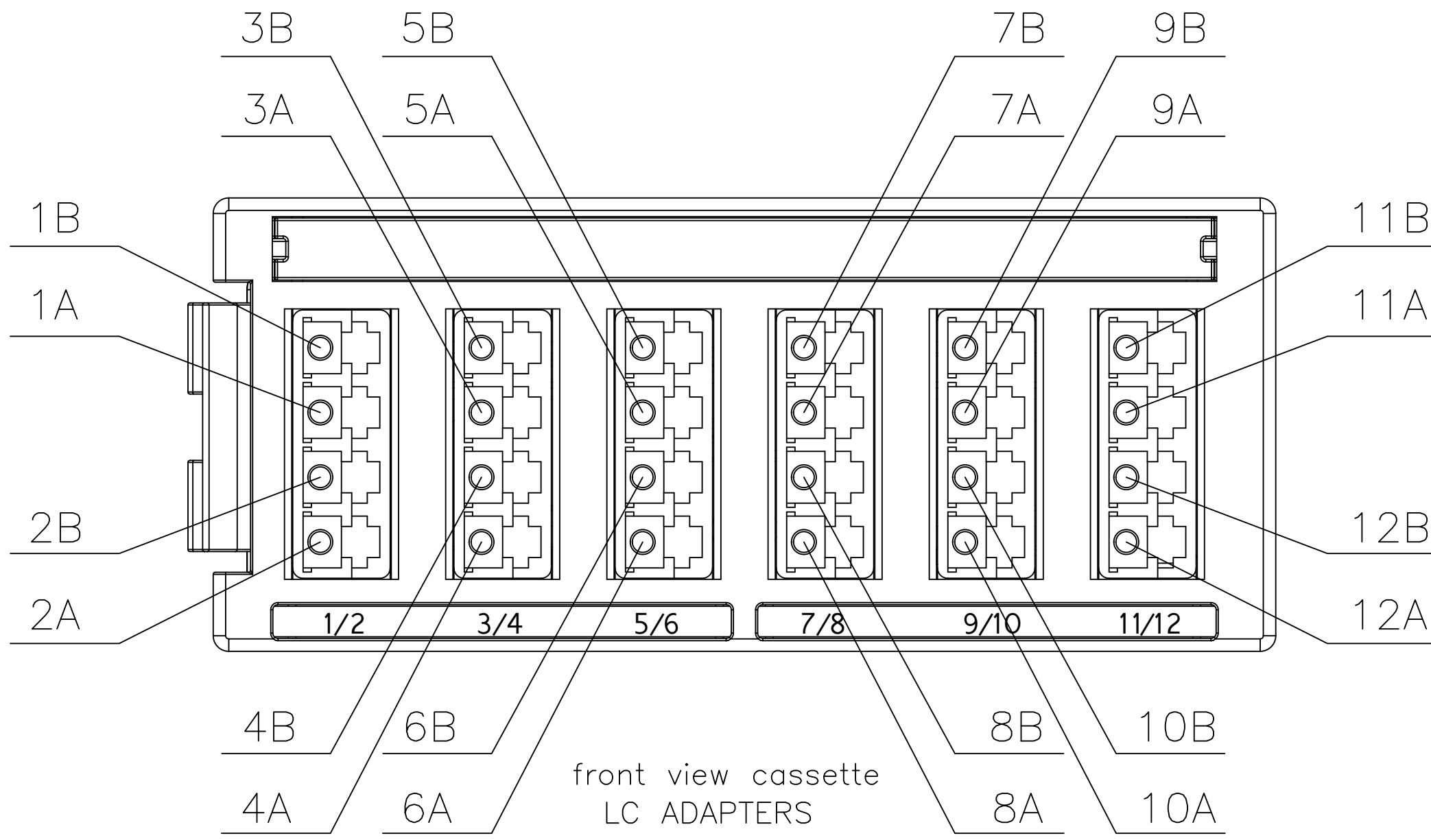
Qty	Description	Item
6	INFORMATION LABEL	5
1	FOAC WARRANTY LABEL	4
2	MPO ADAPTER WITH DUST CAP	3
1	INTERFACE HOUSING WITH 6 LC QUAD ADAPTERS	2
1	QUICKFIT CASSETTE MODULE WITH COVER, BLACK	1

THIS DRAWING IS A CONTROLLED DOCUMENT.		DWN 07-04-2010 M.A.Hoppers	COMMSCOPE, INC.
DIMENSIONS: mm		CHK 07-04-2010 T.v.d Meuler	
TOLERANCES UNLESS OTHERWISE SPECIFIED:		APVD 07-04-2010 M.A.Hoppers	
0 PLC ± -		PRODUCT SPEC	
1 PLC ± -		APPLICATION SPEC	NAME FOCASS QUICK-FIT 2 MPO - 6 LC QUAD
2 PLC ± -		WEIGHT -	SIZE A2
3 PLC ± -		DRAWING NO C=1671206	RESTRICTED TO -
4 PLC ± -		CUSTOMER DRAWING	SCALE NTS SHEET 1 of 2 REV C
ANGLES ± -			
FINISH -			

THIS DRAWING IS UNPUBLISHED. RELEASED FOR PUBLICATION
 © 2016 Commscope, INC. Confidential NOTICE: These drawings and specifications are the proprietary property of COMMSCOPE, INC. and may be used only for the specific purpose authorized in writing by COMMSCOPE, INC.

FIBER ROUTING

LDC		DIST		REVISIONS			
P	LTR	DESCRIPTION	DATE	DWN	APVD		
-	-	SEE SHEET 1	-	-	-		

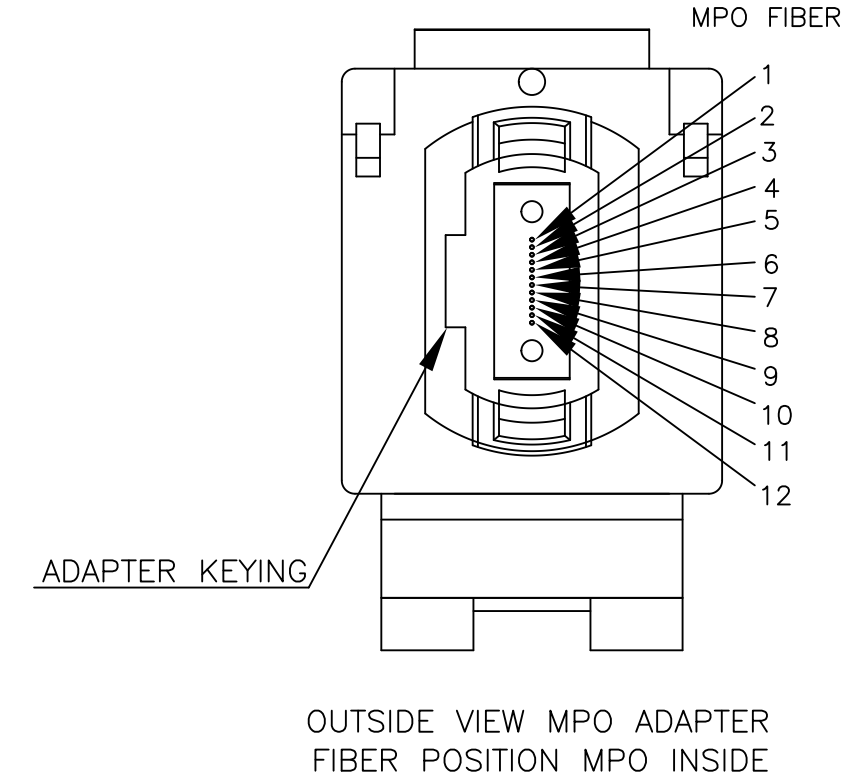


CONNECTIVITY STRAIGHT A-A / B-B		
LC/PC (outside)		MPO (T1)
1B	→	1
1A	→	2
2B	→	3
2A	→	4
3B	→	5
3A	→	6
4B	→	7
4A	→	8
5B	→	9
5A	→	10
6B	→	11
6A	→	12

CONNECTIVITY PAIR FLIPPED A-B / B-A		
LC/PC (outside)		MPO (T1)
1B	→	1
1A	→	2
2B	→	3
2A	→	4
3B	→	5
3A	→	6
4B	→	7
4A	→	8
5B	→	9
5A	→	10
6B	→	11
6A	→	12

CONNECTIVITY STRAIGHT A-A / B-B		
LC/PC (outside)		MPO (T2)
7B	→	1
7A	→	2
8B	→	3
8A	→	4
9B	→	5
9A	→	6
10B	→	7
10A	→	8
11B	→	9
11A	→	10
12B	→	11
12A	→	12

CONNECTIVITY PAIR FLIPPED A-B / B-A		
LC/PC (outside)		MPO (T2)
7B	→	1
7A	→	2
8B	→	3
8A	→	4
9B	→	5
9A	→	6
10B	→	7
10A	→	8
11B	→	9
11A	→	10
12B	→	11
12A	→	12



THIS DRAWING IS A CONTROLLED DOCUMENT.

DWN	M.A.H Oppers	07-04-2010	COMMSCOPE, INC. NAME FOCASS QUICK-FIT 2 MPO - 6 LC QUAD
CHK	T.v.d. Meuler	07-04-2010	
APVD	M.A.H Oppers	07-04-2010	
PRODUCT SPEC			
APPLICATION SPEC			SIZE
WEIGHT			A2
CUSTOMER DRAWING			CAGE CODE
SCALE			NTS
SHEET			2 of 2
REV			C

DIMENSIONS: mm
 TOLERANCES UNLESS OTHERWISE SPECIFIED:
 0 PLC ± -
 1 PLC ± -
 2 PLC ± -
 3 PLC ± -
 4 PLC ± -
 ANGLES ± -
 FINISH -

MATERIAL: -

RESTRICTED TO: -

DRAWING NO: C=1671206

1671206