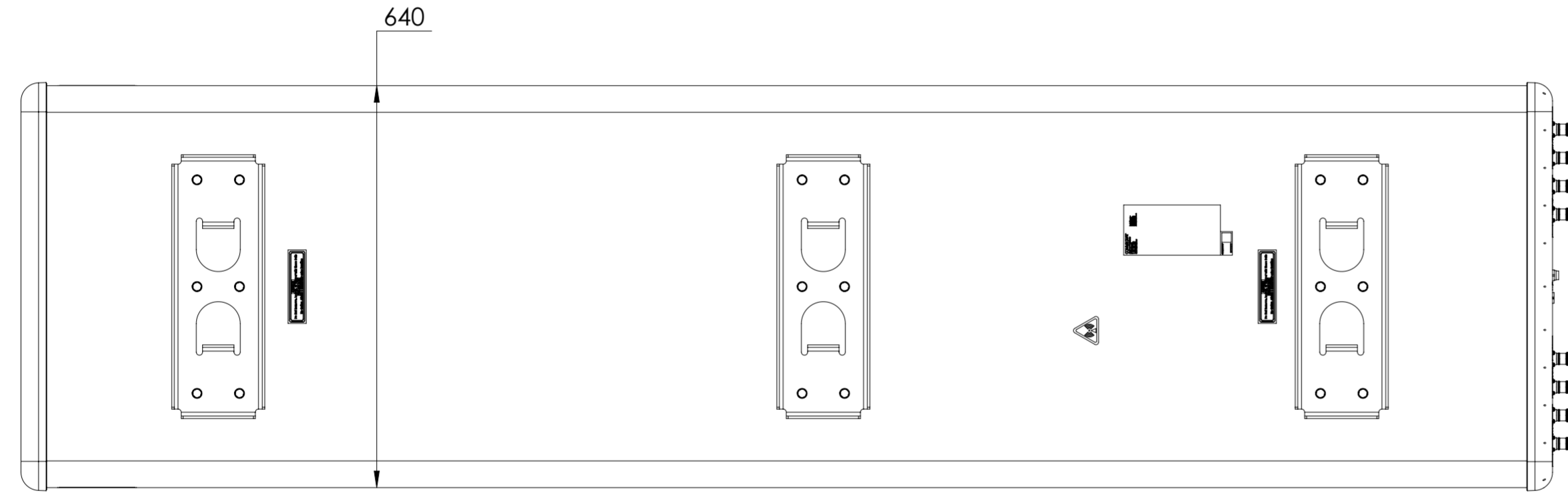
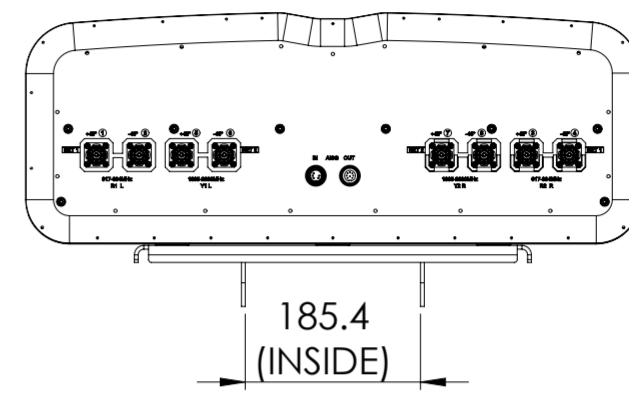
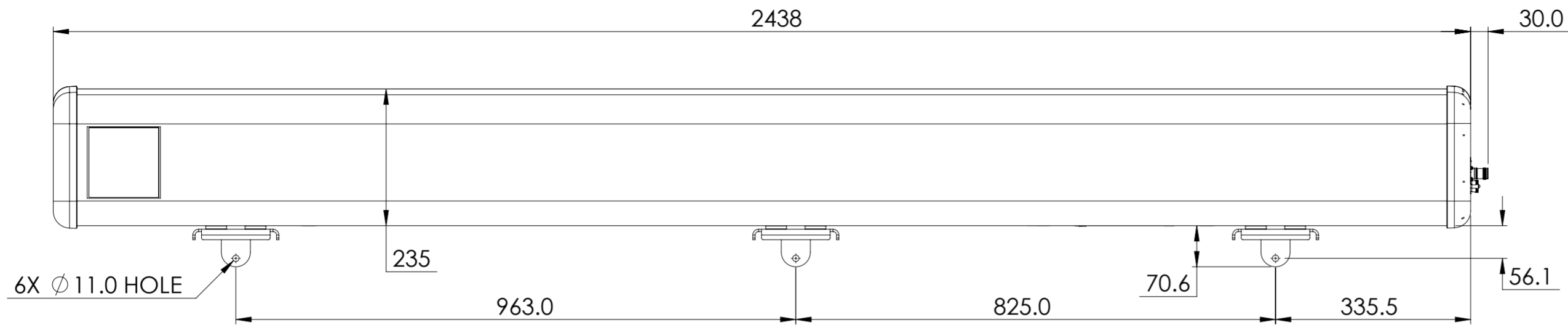


REVISIONS			
REV.	DESCRIPTION	DATE	APPROVED
A	ECR 16312PC: REL TO PRODUCTION PER EAO 610600.	23MAR22 CZH	YJB/XJ
B	ECR 40149777CMO: USE THE LATEST MODEL.	20JUN22 CZH	XJP/XJ
C	ECR 40168386CMO: CORRECT ENDCAP LABEL.	14APR23 LY	ZBG/HANSEN.W



FFVV-65C-R2-HG

© 2022 CommScope, Inc.

COMMScope, INC. OF NORTH CAROLINA

TOLERANCES		SAP MATERIAL MASTER																					
0 PLACE X ±	2 PLACE .XX ±																						
1 PLACE .X ±	ANGLES ±																						
FINISH		MATERIAL																					
PRODUCT DRAWING																							
<table border="1"> <thead> <tr> <th></th> <th>NAME</th> <th>DATE</th> <th>TITLE</th> </tr> </thead> <tbody> <tr> <td>CE</td> <td>ZHHCHEN</td> <td>03/23/2022</td> <td rowspan="5" style="text-align: center; vertical-align: middle;">PRODUCT DRAWING</td> </tr> <tr> <td>RW</td> <td>LY1028</td> <td>04/18/2023</td> </tr> <tr> <td>AD</td> <td>ZG1008</td> <td>04/19/2023</td> </tr> <tr> <td>RE</td> <td>XIAOWANG</td> <td>04/19/2023</td> </tr> <tr> <td>ECN</td> <td>40168386CMO</td> <td></td> </tr> </tbody> </table>			NAME	DATE	TITLE	CE	ZHHCHEN	03/23/2022	PRODUCT DRAWING	RW	LY1028	04/18/2023	AD	ZG1008	04/19/2023	RE	XIAOWANG	04/19/2023	ECN	40168386CMO		SCALE: 1:8 DOCUMENT NO: FFVV-65C-R2-HG-L	
	NAME	DATE	TITLE																				
CE	ZHHCHEN	03/23/2022	PRODUCT DRAWING																				
RW	LY1028	04/18/2023																					
AD	ZG1008	04/19/2023																					
RE	XIAOWANG	04/19/2023																					
ECN	40168386CMO																						
<table border="1"> <thead> <tr> <th>SIZE</th> <th>Auth Group</th> <th>BSA</th> <th>MODEL</th> <th colspan="3">DRAWING</th> <th>SHEET</th> </tr> </thead> <tbody> <tr> <td>A2</td> <td></td> <td></td> <td>VERSION: 02</td> <td>STATUS: RE</td> <td>REVISION: C</td> <td>VERSION: 02</td> <td>STATUS: RE</td> <td>REVISION: C</td> <td>1 OF 1</td> </tr> </tbody> </table>		SIZE	Auth Group	BSA	MODEL	DRAWING			SHEET	A2			VERSION: 02	STATUS: RE	REVISION: C	VERSION: 02	STATUS: RE	REVISION: C	1 OF 1				
SIZE	Auth Group	BSA	MODEL	DRAWING			SHEET																
A2			VERSION: 02	STATUS: RE	REVISION: C	VERSION: 02	STATUS: RE	REVISION: C	1 OF 1														

DENSITY	g/mm ³
MASS	grams
VOLUME	mm ³
SURFACE AREA	mm ²

UNLESS OTHERWISE SPECIFIED
 DIMENSIONS ARE IN MILLIMETERS
 INTERPRET PER ISO STANDARDS
 HANDBOOK TECHNICAL DRAWINGS
 VOLUMES 1 & 2, THIRD EDITION (2002)