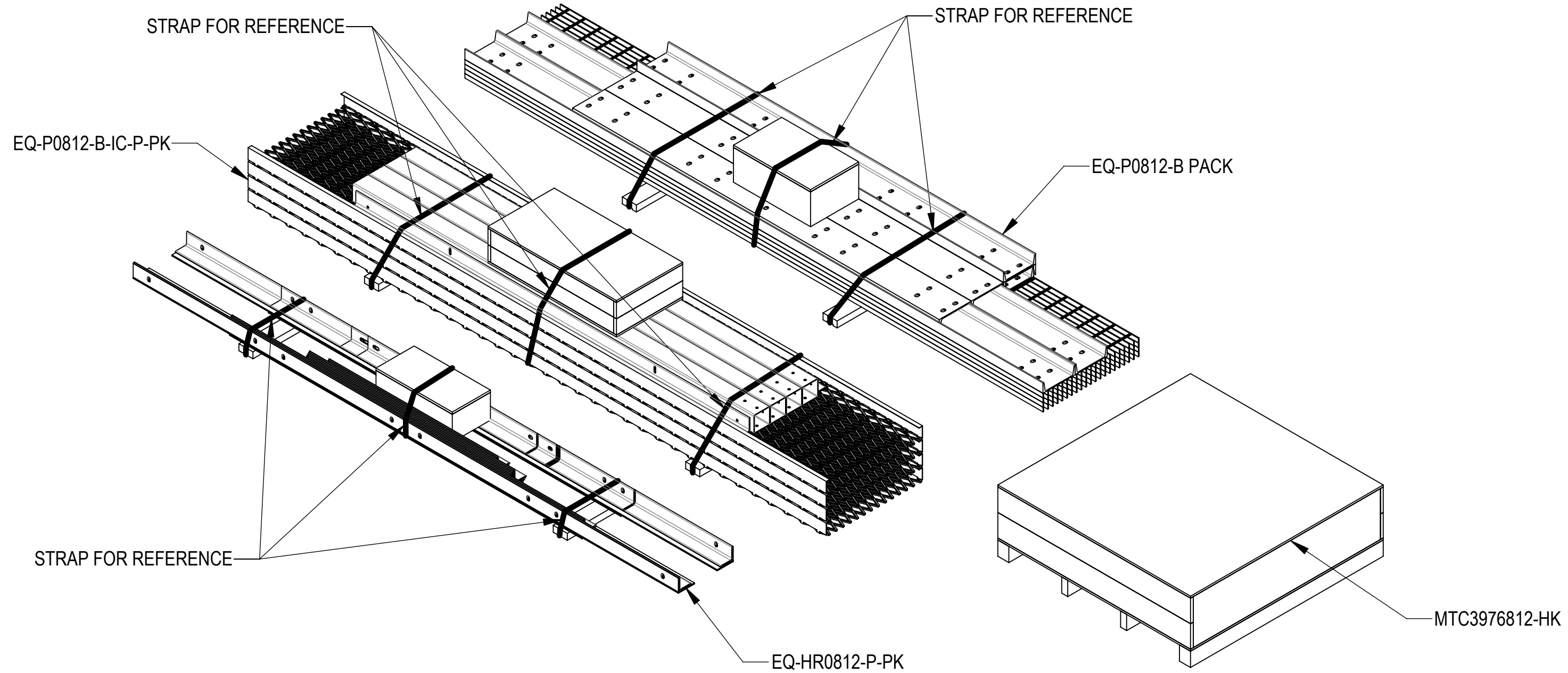


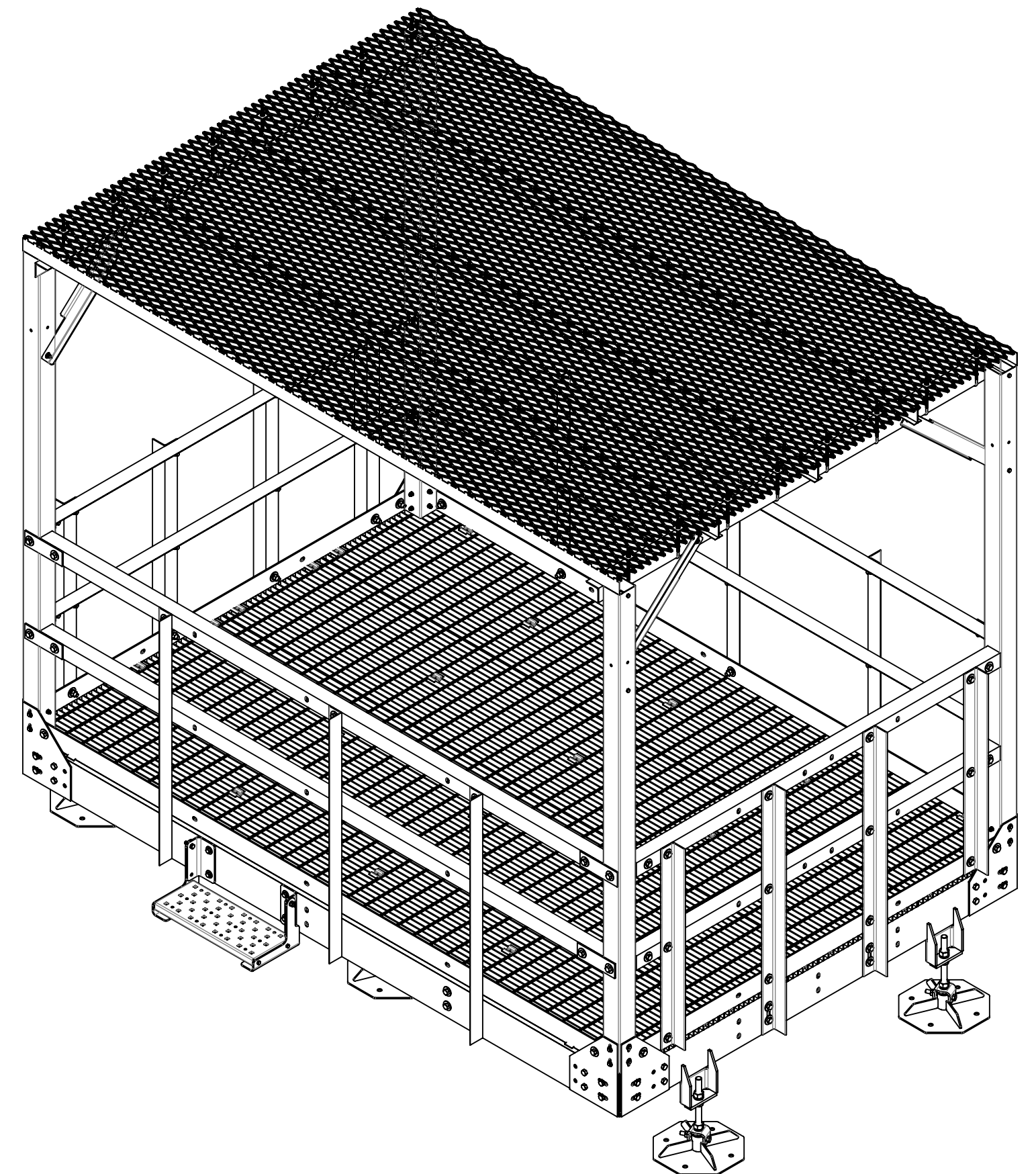
- 1.0 GENERAL NOTES
 - 1.1 ALL METRIC DIMENSIONS ARE IN BRACKETS [X.X]
 - 1.2 FOR PATENT INFO: <https://www.cs-pat.com>
- 2.0 DESIGN NOTES
- 3.0 MANUFACTURING/SPECIAL REQUIREMENTS
 - 3.1 TIGHTEN ALL BOLTS SECURING FLAT PLATES BY THE TURN-OF-NUT METHOD. TIGHTEN ALL U-BOLTS USING TURN-OF-NUT METHOD WITH ATTENTION TO LEAVE EQUAL DISTANCE AND EQUAL FORCE ON EACH LEG OF THE U-BOLT.
- 4.0 TEST
- 5.0 PACKAGING
 - 5.1 PACKAGING SHALL MEET COMMSCOPE REQUIREMENTS PER DOCUMENT IS-PL-3005
 - 5.2 PRINTED DOCUMENT TO BE PLACED INSIDE POLYBAG AND THEN IN SHIPPING CONTAINER
 - 5.3 EXTRA HARDWARE MAY BE SUPPLIED, BAGGED AND SHIPPED

REVISIONS			
REV.	DESCRIPTION	DATE	APPROVED
A	INITIAL RELEASE	LL1090 16MAY24	YW1047 40196038CMO




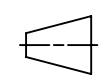
COMMSCOPE, INC. OF NORTH CAROLINA										
TOLERANCES					SAP MATERIAL MASTER					
1 PLACE .X[X] ± 0.2[6.3]		3 PLACE .XXX[X] ± 0.060[1.5]			MTC3976812					
2 PLACE .XX[X] ± 0.12[3.0]		ANGLES ± 2°								
FINISH					MATERIAL					
					EQ. PLATFORM 8X12 IC HR ST KIT					
UNLESS OTHERWISE SPECIFIED DIMENSIONS ARE IN INCHES INTERPRET PER ANSI Y 14.5M-1994		NAME	DATE	TITLE						
CE	LL1090	20MAY24	MTC3976812							
RW	LL1090	05/26/2024								
AD	YW1047	05/28/2024								
RE	YMENG	05/28/2024								
ECN	40196038CMO									
SCALE		DOCUMENT NO.								
1:32		MTC3976812								
SIZE	Auth Group	INSL	MODEL			DRAWING				SHEET
C			VERSION	STATUS	REVISION	VERSION	STATUS	REVISION	1 OF 5	
			00	RE	A	00	RE	A		

DENSITY		lbs/in ³
MASS	3382.98	lbs
VOLUME	19899.96	in ³
SURFACE AREA	155002.56	in ²
HEIGHT		
LENGTH		
WIDTH		



COMPONENT PART NUMBERS PROVIDED FOR ASSEMBLY PURPOSES;
INDIVIDUAL COMPONENTS MAY BE SHIPPED AS PARTS WITHIN AN INCLUDED KIT.

ITEM NO.	PART NUMBER	DESCRIPTION	QTY.	WEIGHT	NOTE NO.
1	MTC790271201	12' SIDE CHANNEL	2	136.26 LBS	
2	MTC7902080801	8' CENTER CHANNEL	5	86.21 LBS	
3	MTC790271203	24" X 144" BAR GRATING	4	172.46 LBS	
4	MTC790203	CHANNEL ADAPTER ANGLE	10	7.07 LBS	
5	GB-05205	5/8" X 2" GALV BOLT KIT	126	0.26 LBS	
6	GWF-05	5/8" GALV FLAT WASHER, 1.70D	284	0.06 LBS	
7	MTC390324	BAR GRATING CLIP	28	0.17 LBS	
8	TS1220	12-24 X 2" SELF DRILLING SCREW	28	0.03 LBS	
9	WB-CY212	SAFETY GRATING,24"X144"	4	96.36 LBS	
10	MTC4045C01	POST, 4 X 4 VERTICAL	4	51.35 LBS	
11	MTC4173-5000-00	8' ICE SHIELD SUPPORT BRACKET	2	30.44 LBS	
12	MTC4130-3000-00	CANOPY BRACE	4	6.52 LBS	
13	GJB0380	8" GALV J-BOLT KIT	16	0.23 LBS	
14	MT-387	SQUARE WASHER 1-1/2"X1-1/2" W/ 7/16 HOLE	16	0.11 LBS	
15	MTC4169-2000-00	PLATE, CANOPY LEG SUPPORT	8	9.59 LBS	
16	GB-03505	3/8" X 5" GALV BOLT KIT	24	0.17 LBS	
17	GB-03125	3/8" X 1-1/4" GALV BOLT KIT	4	0.06 LBS	
18	GB-05165	5/8" X 1-3/4" GALV BOLT KIT	16	0.24 LBS	
19	GWF-03	3/8" GALV FLAT WASHER	32	0.01 LBS	
20	GN-03	3/8" GALV HEX NUT	16	0.02 LBS	
21	GWL-03	3/8" GALV LOCK WASHER	16	0.01 LBS	
22	GB-05225	5/8" X 2-1/4" GALV BOLT KIT	16	0.28 LBS	
23	MTC4196-6000-00	HAND RAIL ANGLE CLAMP	8	0.94 LBS	
24	MTC4196-7000-00	PLATE, 9 X 3 X 0.25"	8	1.80 LBS	
25	GB-05605	5/8" X 6" GALV BOLT KIT	8	0.61 LBS	
26	MTC4196-1000-00	12' SIDE HANDRAIL ANGLE	4	41.68 LBS	
27	MTC4196-2000-00	8' END HANDRAIL	4	26.80 LBS	
28	EQHR01	HANDRAIL POST	10	15.52 LBS	
29	MTC4196-5000-00	HANDRAIL POST	4	12.86 LBS	
30	MTC4196-3000-00	12' SIDE TOEBOARD	2	37.94 LBS	
31	MTC4196-4000-00	8' END TOEBOARD	2	24.41 LBS	
32	EQ-P-DF	EQUIPMENT PLATFORM DISPLACEMENT FOOT	8	37.77 LBS	
33	EQPS24	STEP, GALVANIZED	1	11.05 LBS	
34	EQPS04	STEP SIDE PLATE, LEFT	1	5.22 LBS	
35	EQPS02	STEP SIDE PLATE, RIGHT	1	5.22 LBS	
36	EQPS01	STEP BRACKET	2	3.53 LBS	
37	GB-03105	3/8" X 1" GALV BOLT KIT	4	0.05 LBS	
38	GB-04145	1/2" X 1-1/2" GALV BOLT KIT	6	0.13 LBS	
39	GWF-04	1/2" GALV FLAT WASHER	8	0.04 LBS	

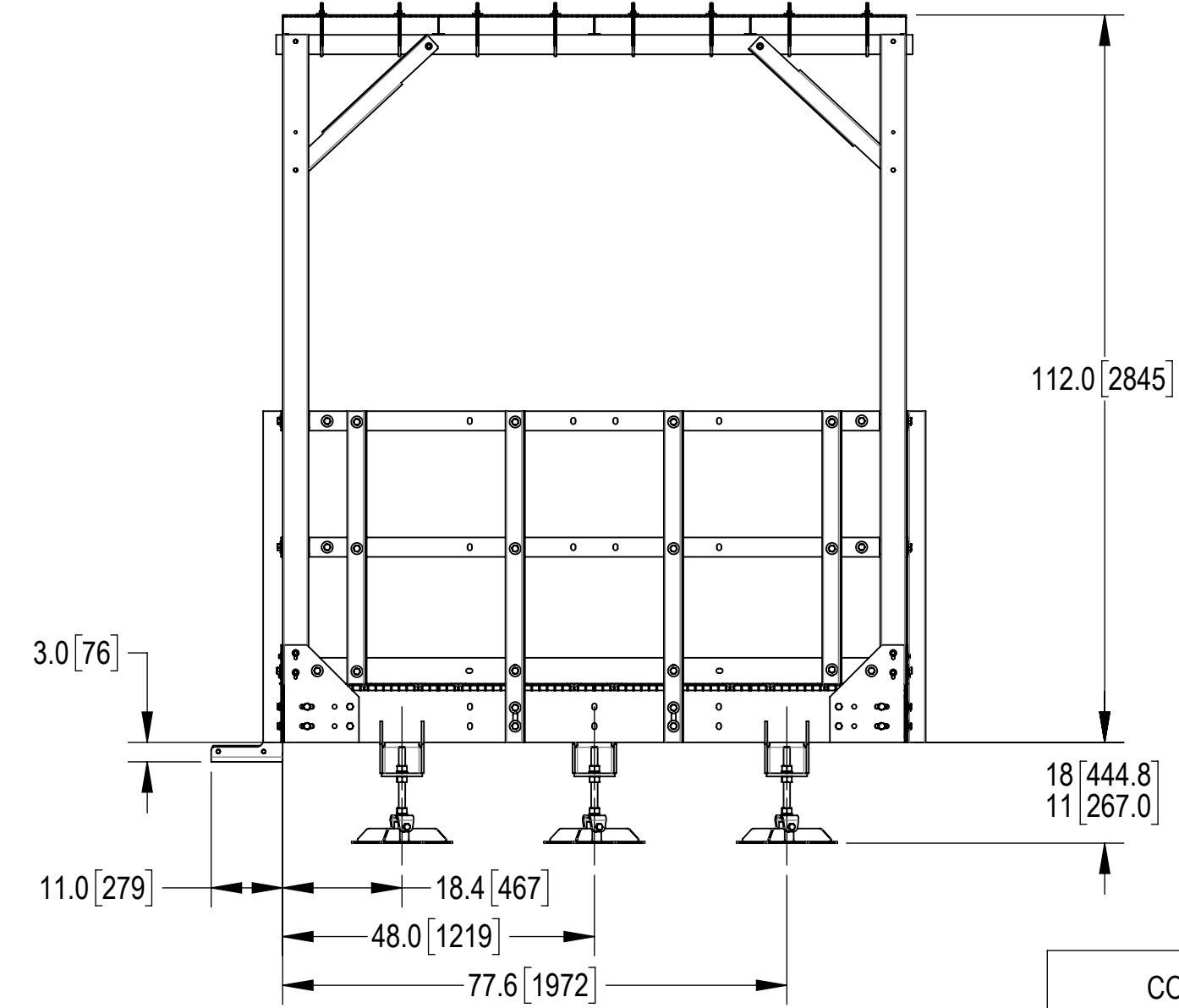
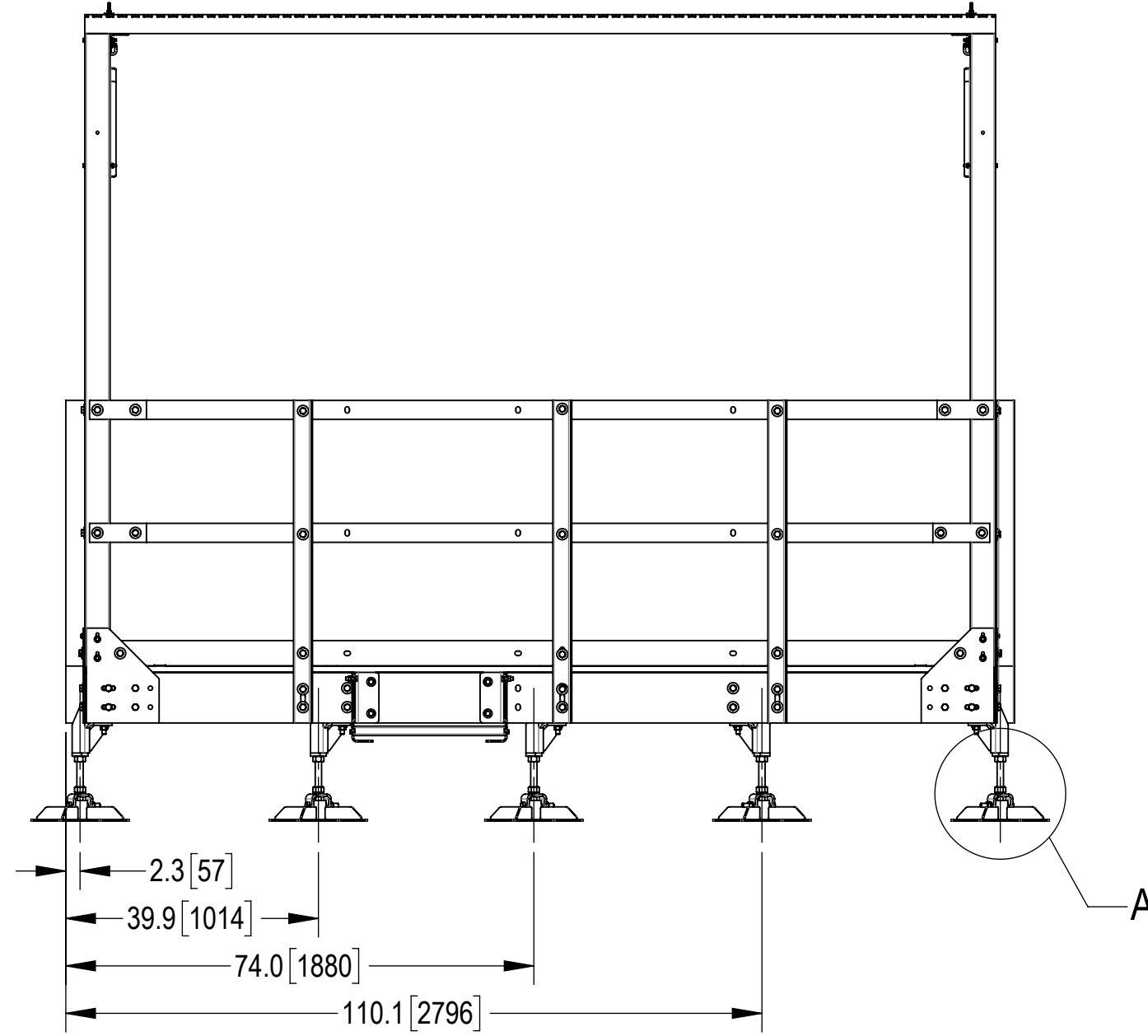
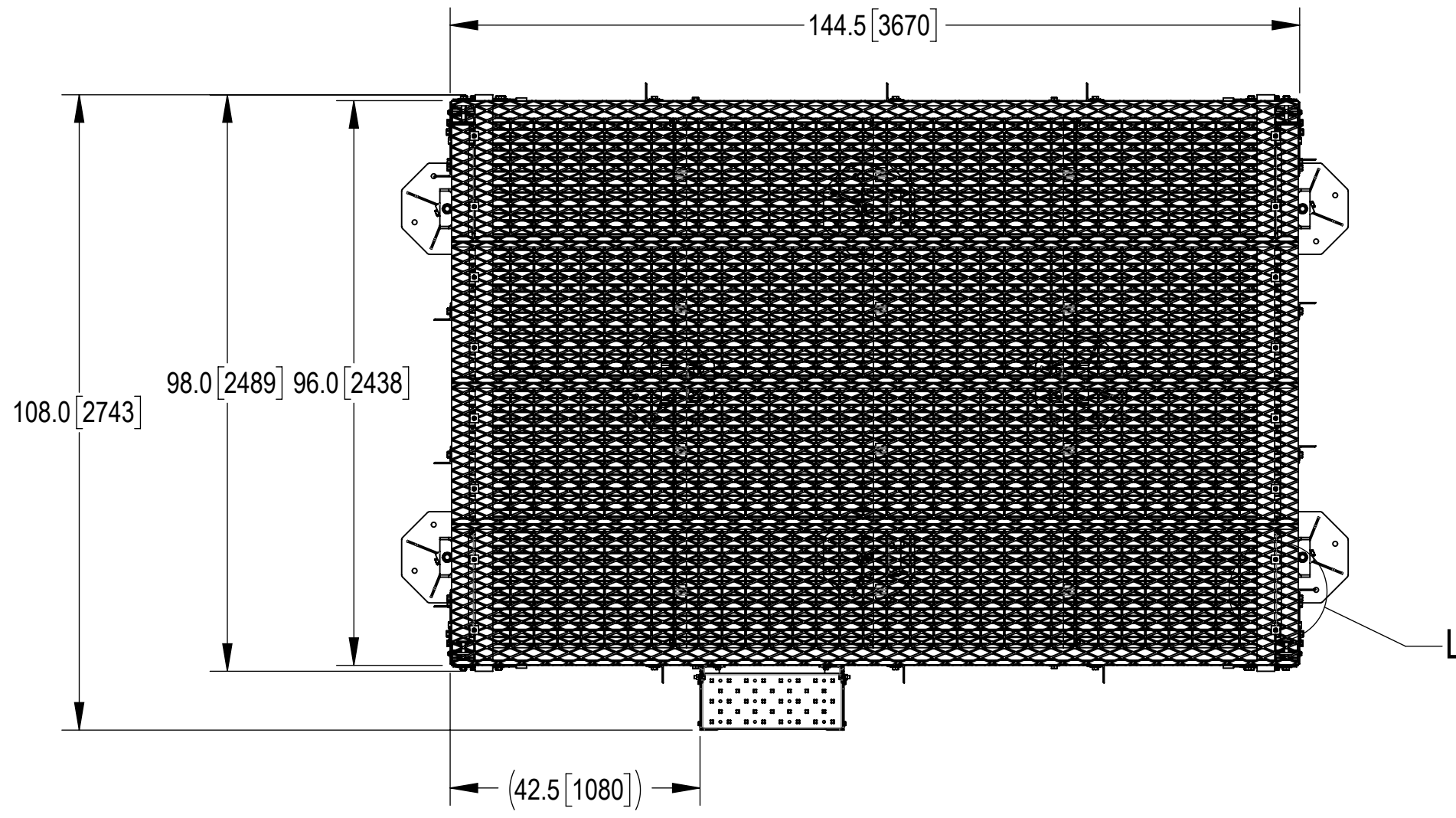
COMMSCOPE, INC. OF NORTH CAROLINA				
TITLE EQ. PLATFORM 8X12 IC HR ST KIT				
SIZE C	SCALE 1:32	DOCUMENT NO. MTC3976812		
DRAWING		VERSION	STATUS	REVISION
 		00	RE	A
				SHEET 2 OF 5

4

3

2

1



COMMSCOPE, INC. OF NORTH CAROLINA				
TITLE				
EQ. PLATFORM 8X12 IC HR ST KIT				
SIZE	SCALE	DOCUMENT NO.		
C	1:32	MTC3976812		
		DRAWING		
		VERSION	STATUS	REVISION
		00	RE	A
				SHEET
				3 OF 5

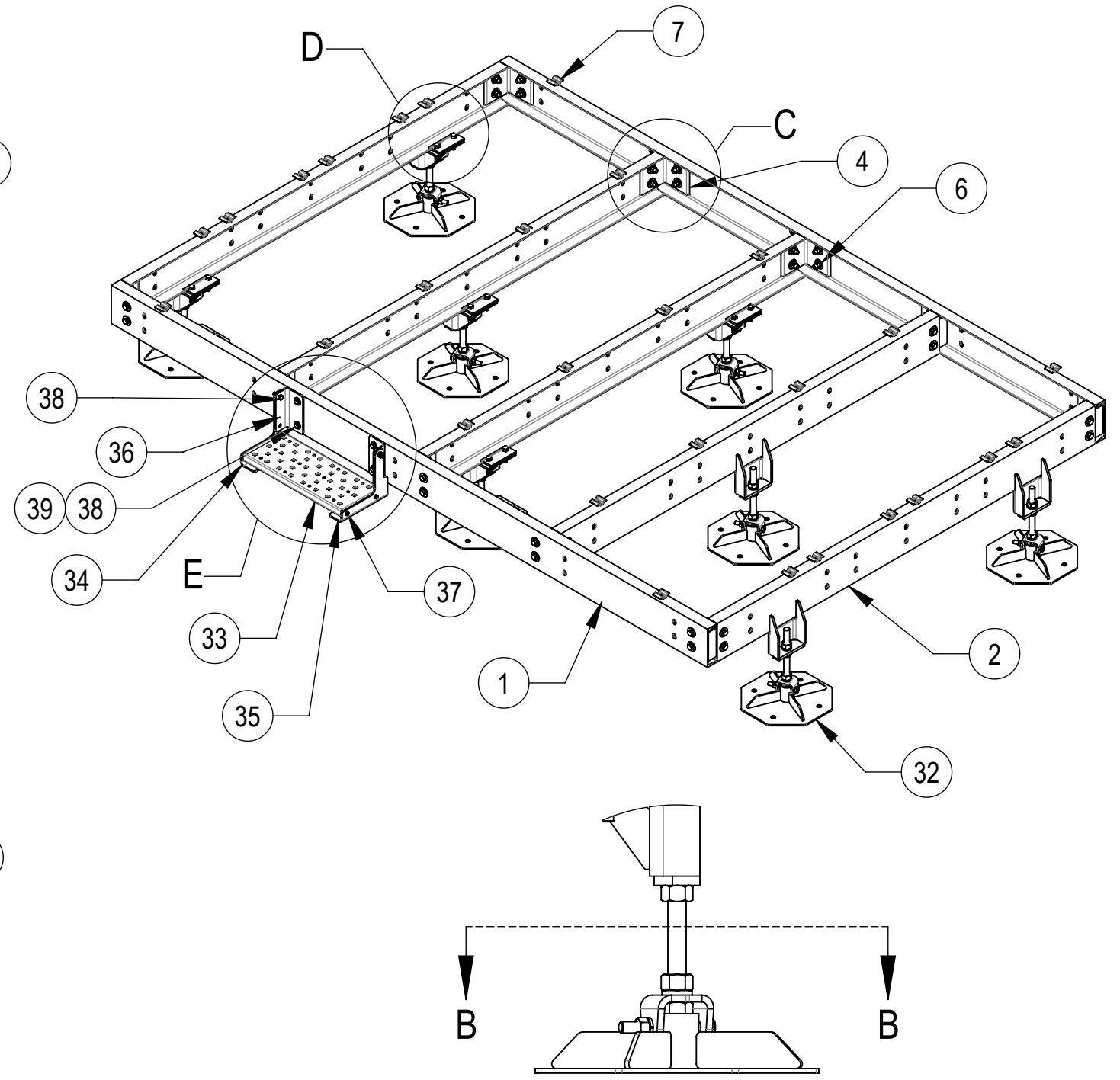
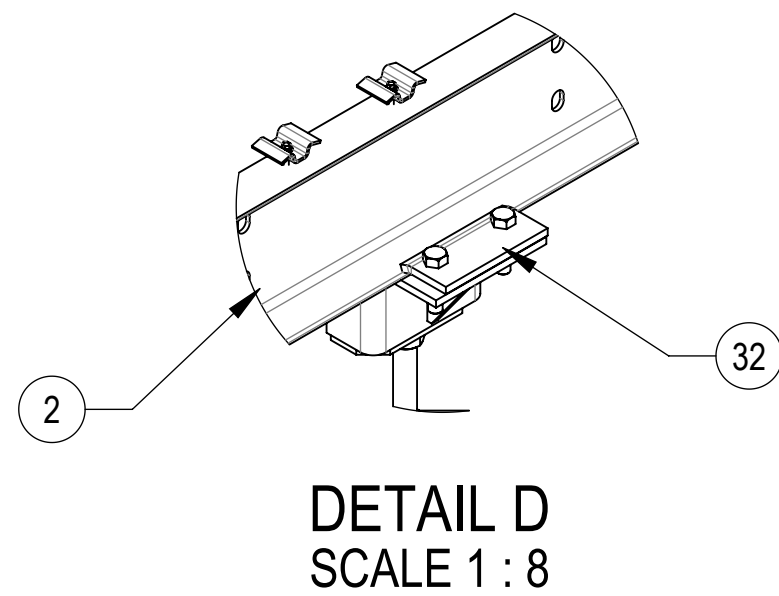
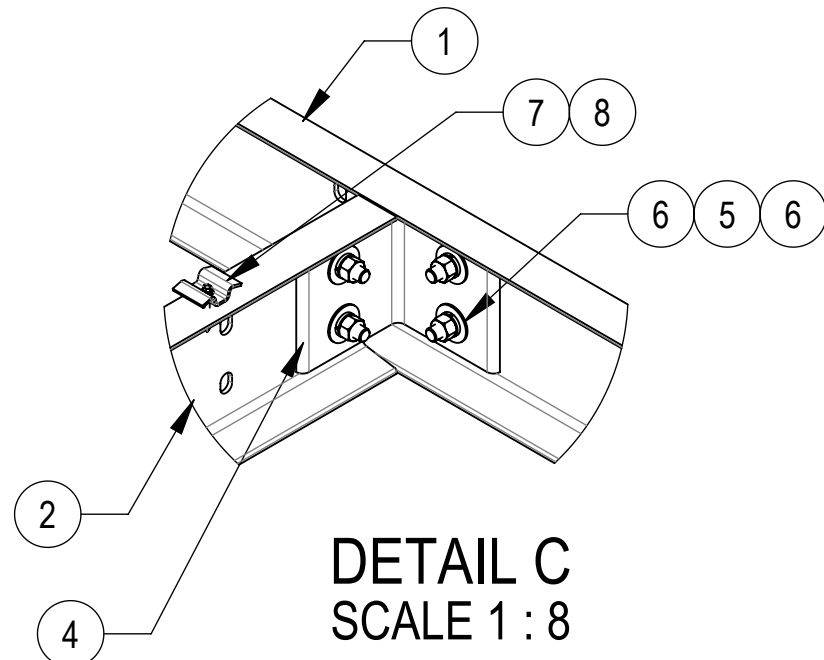
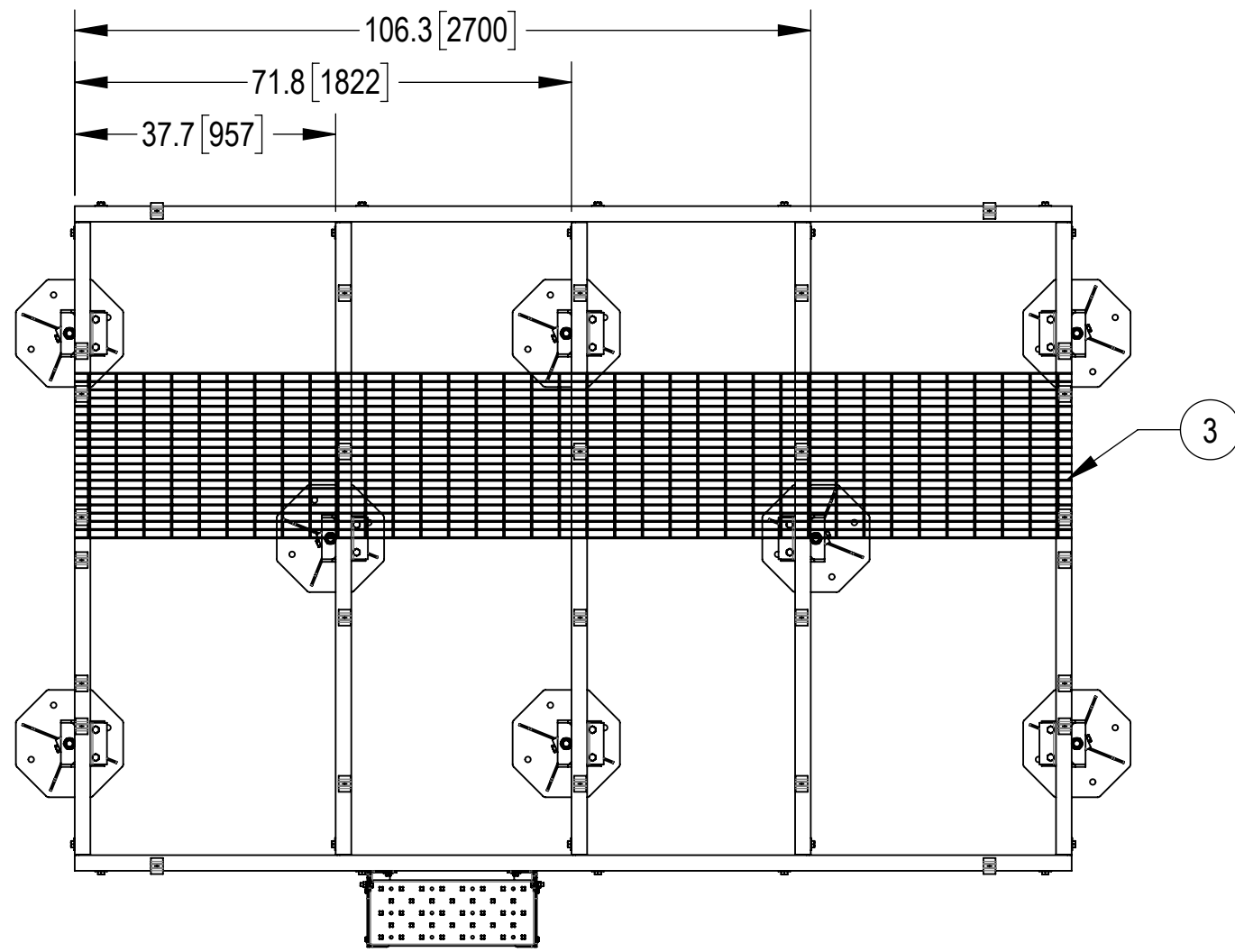
© 2024 CommScope, Inc. Confidential

4

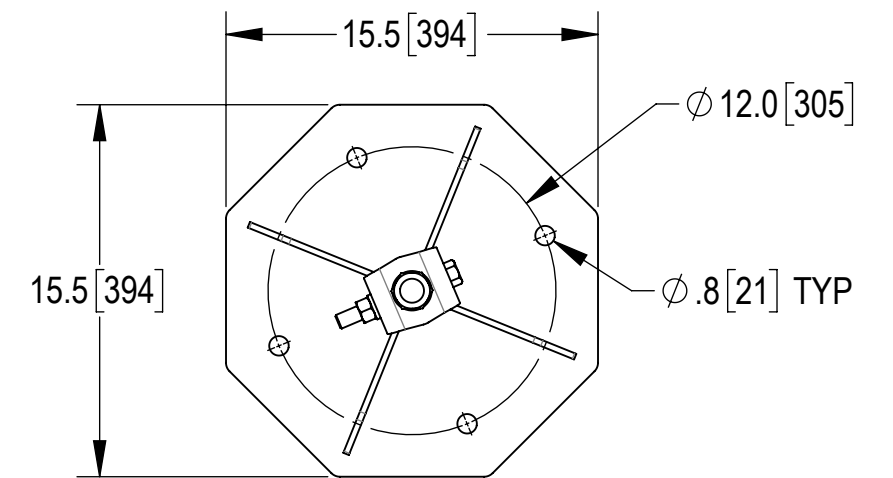
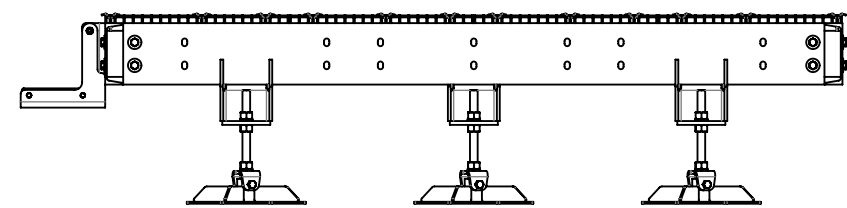
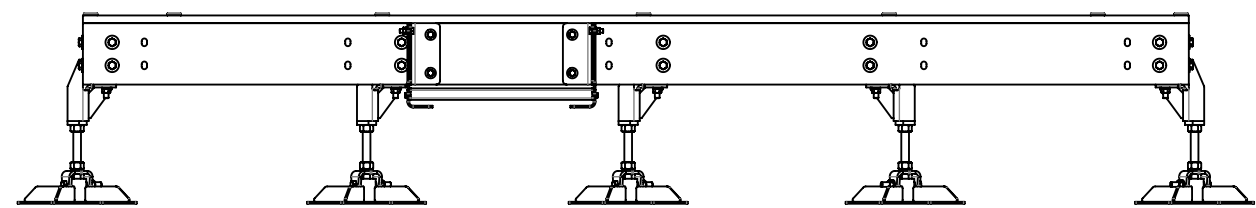
3

2

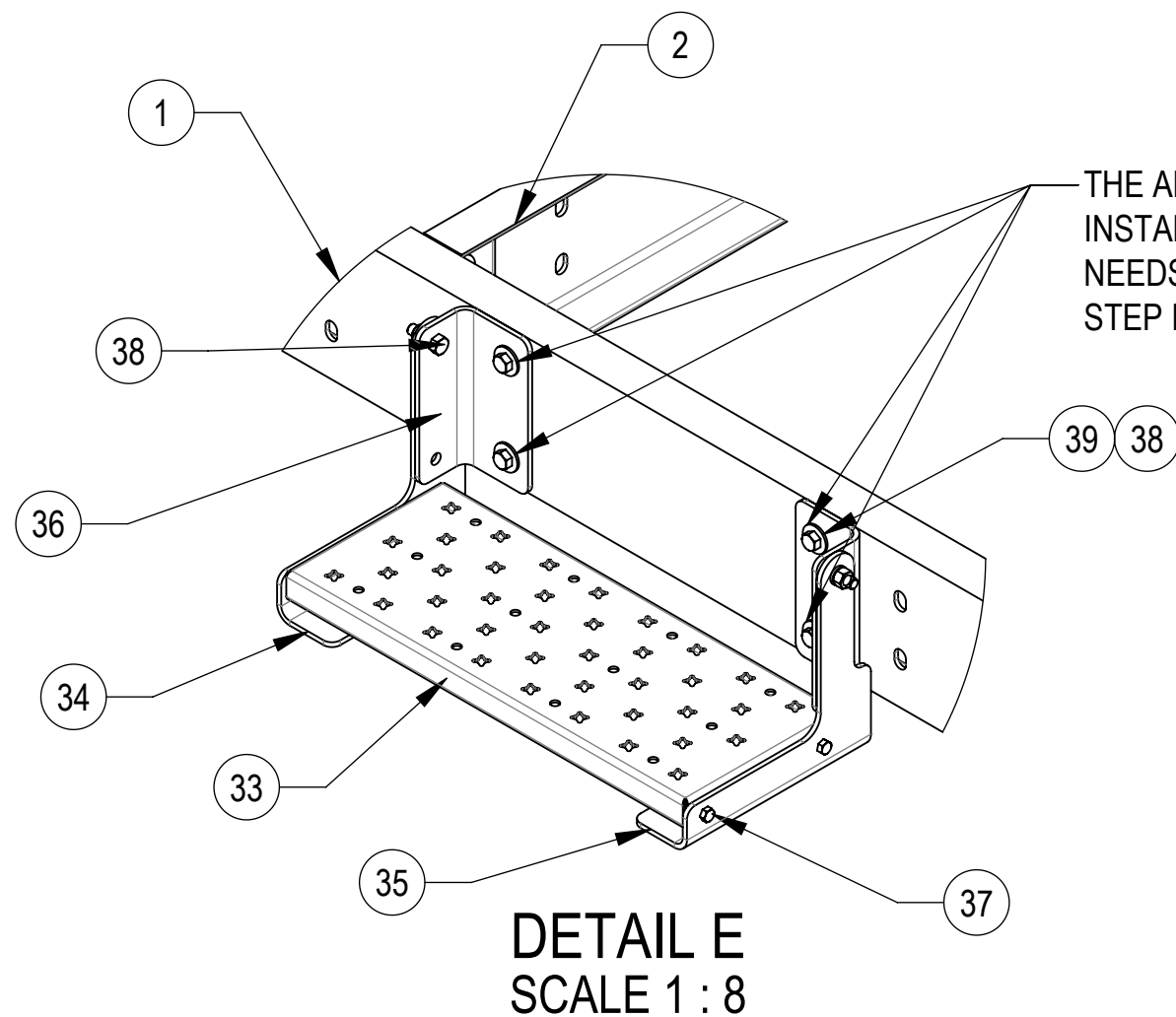
1



DETAIL A
SCALE 1 : 8



SECTION B-B
SCALE 1 : 8

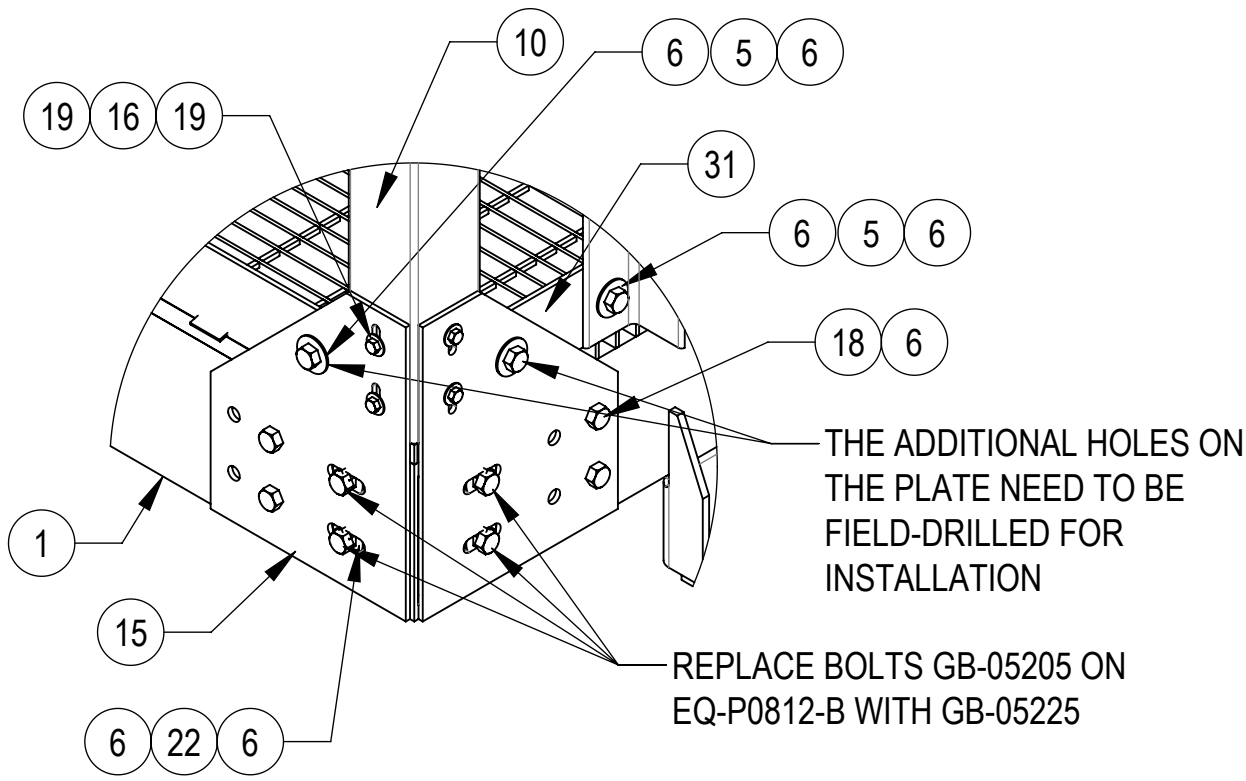


DETAIL E
SCALE 1 : 8

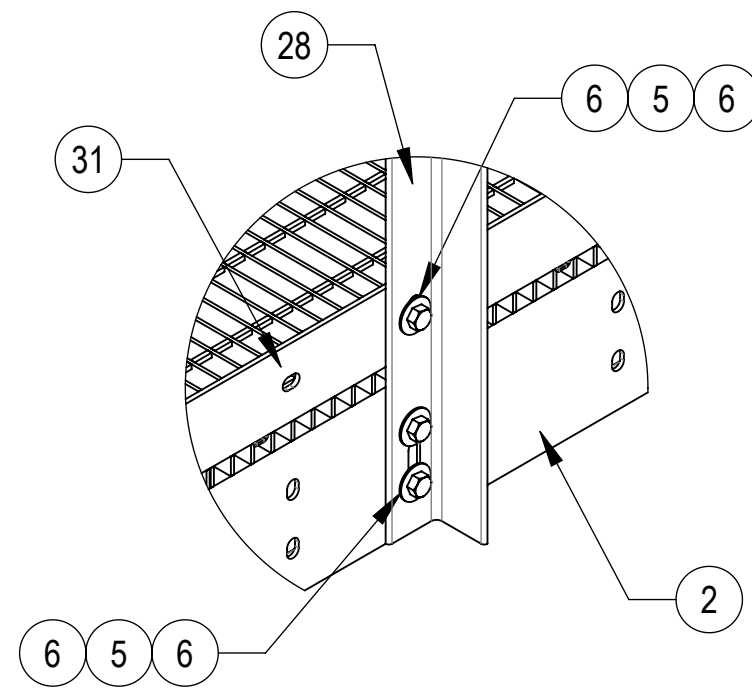
THE ADDITIONAL HOLES ON THE PLATFORM NEED TO BE FIELD-DRILLED FOR STEP INSTALLATION. THE INSTALLATION LOCATION CAN BE SELECTED ACCORDING TO NEEDS, PLEASE ENSURE ENOUGH SPACE BETWEEN THE HANDRAIL POSTS IF THE STEP IS INSTALLED ON THE SHORT SIDE OF PLATFORM

HIDE BAR GRATING FOR CLARITY

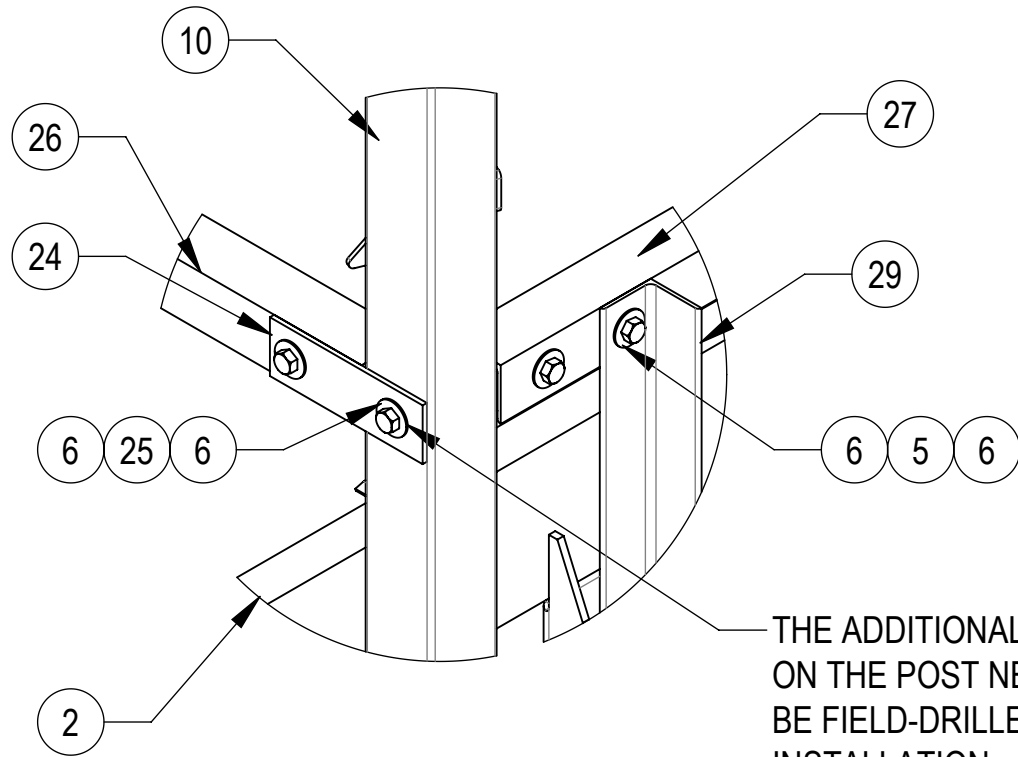
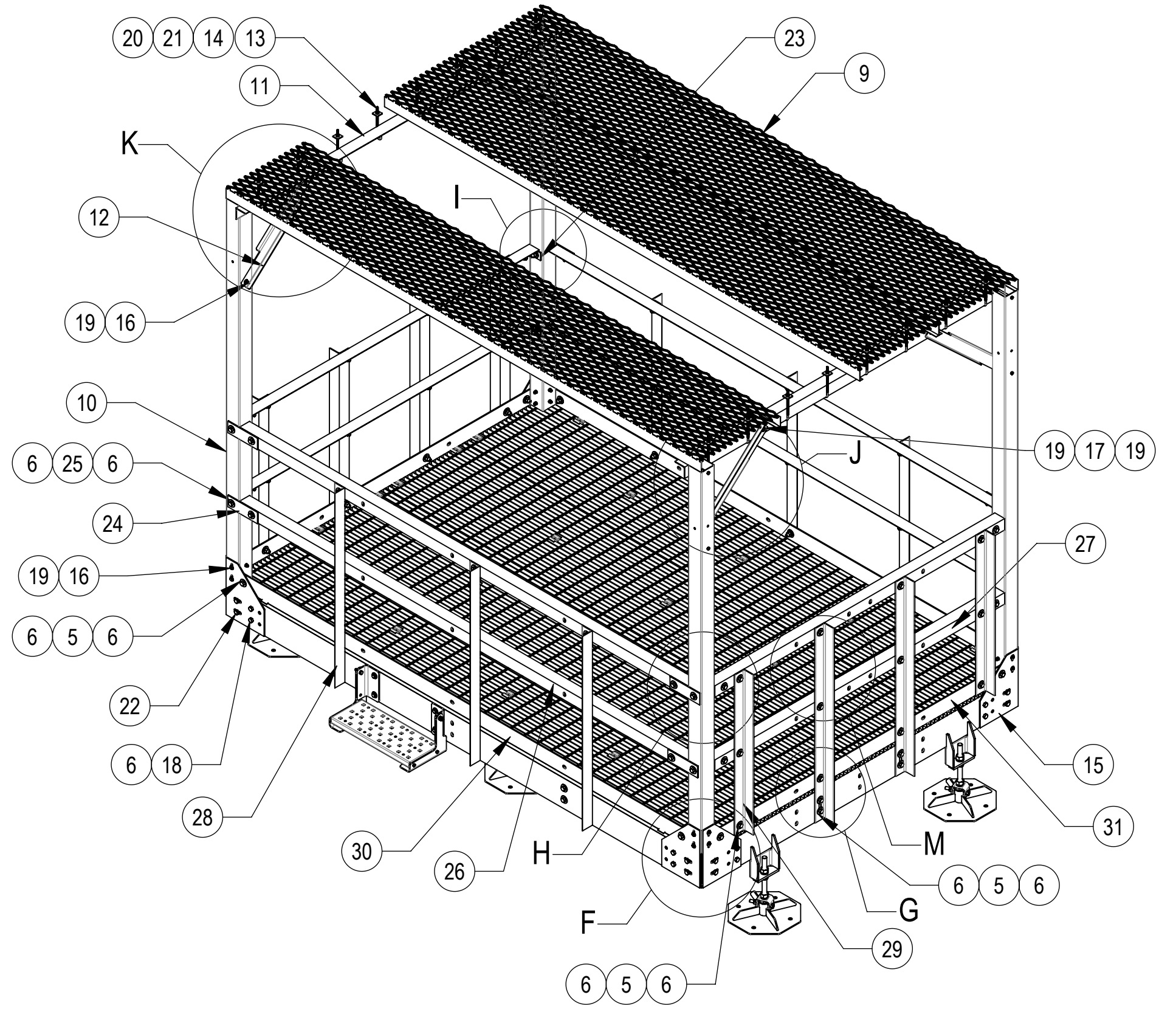
COMMSCOPE, INC. OF NORTH CAROLINA			
TITLE EQ. PLATFORM 8X12 IC HR ST KIT			
SIZE C	SCALE 1:32	DOCUMENT NO. MTC3976812	
		DRAWING	
		VERSION 00	STATUS RE
		REVISION A	SHEET 4 OF 5



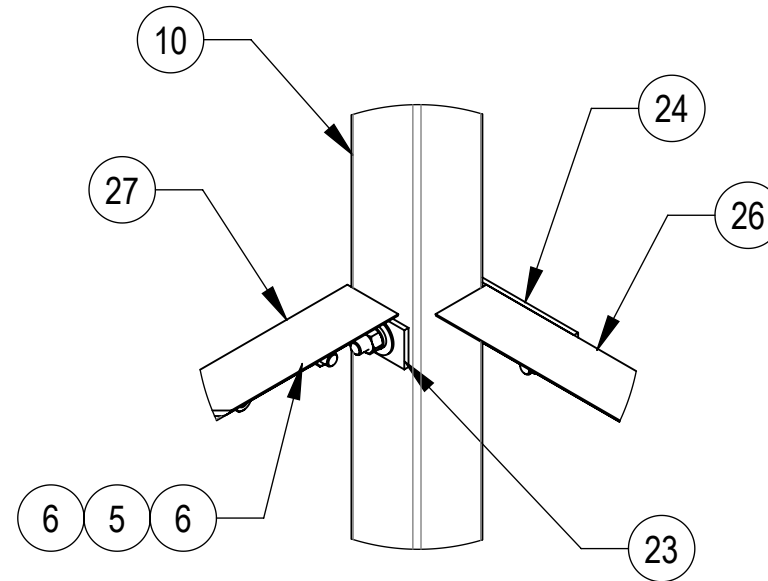
DETAIL F
SCALE 1 : 8



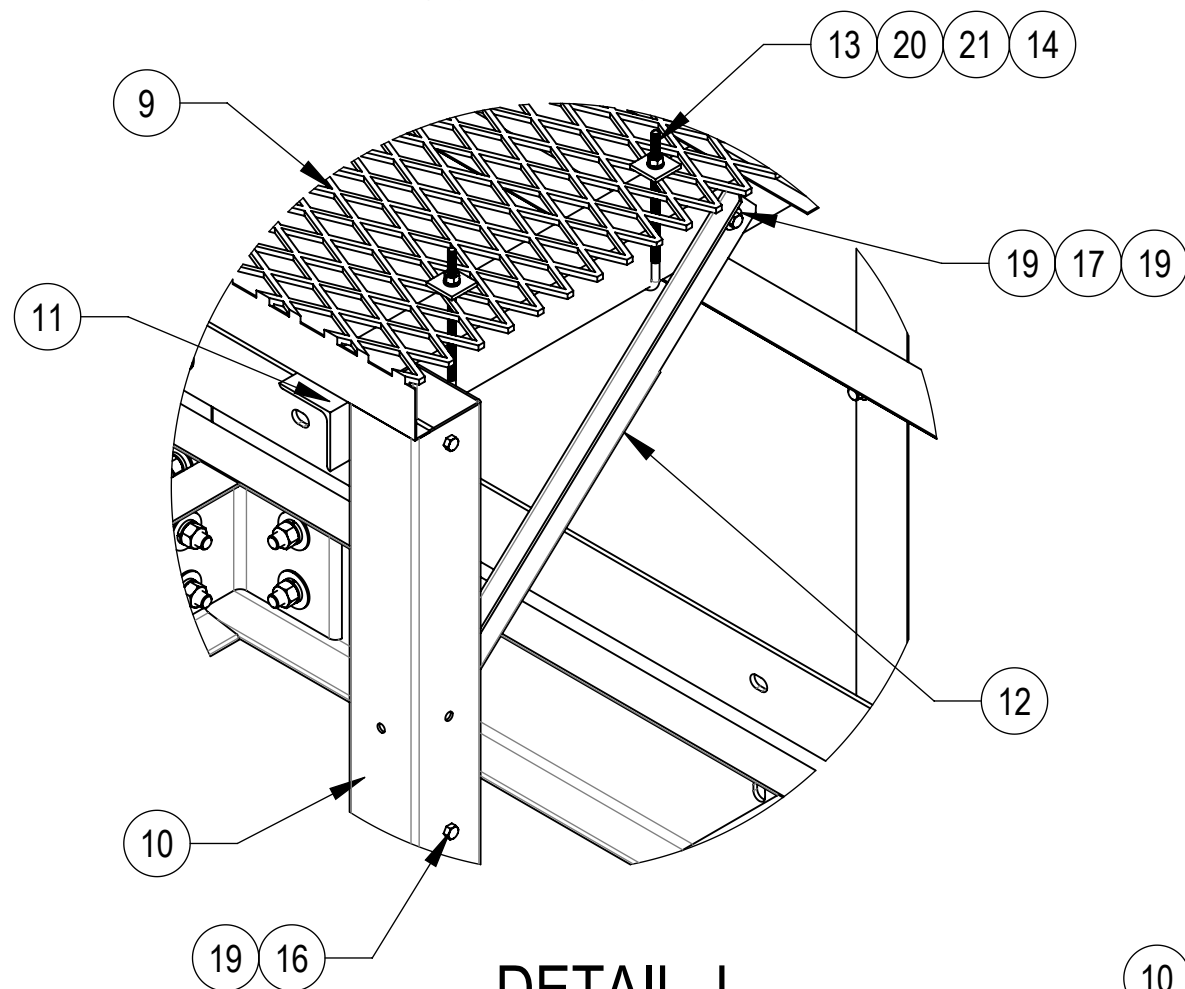
DETAIL G
SCALE 1 : 8



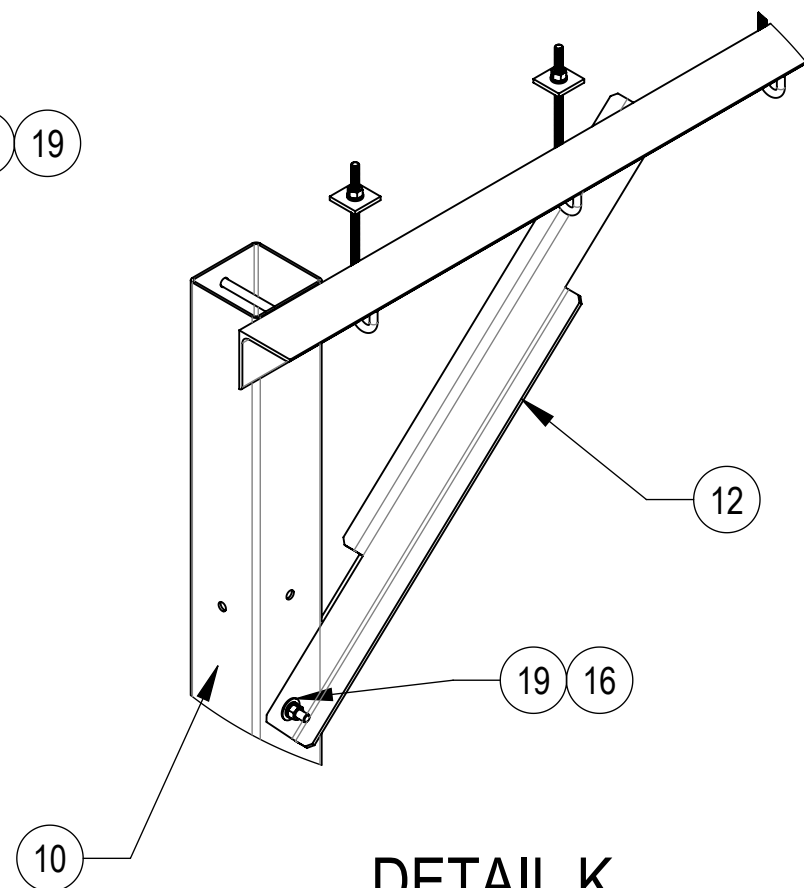
DETAIL H
SCALE 1 : 8



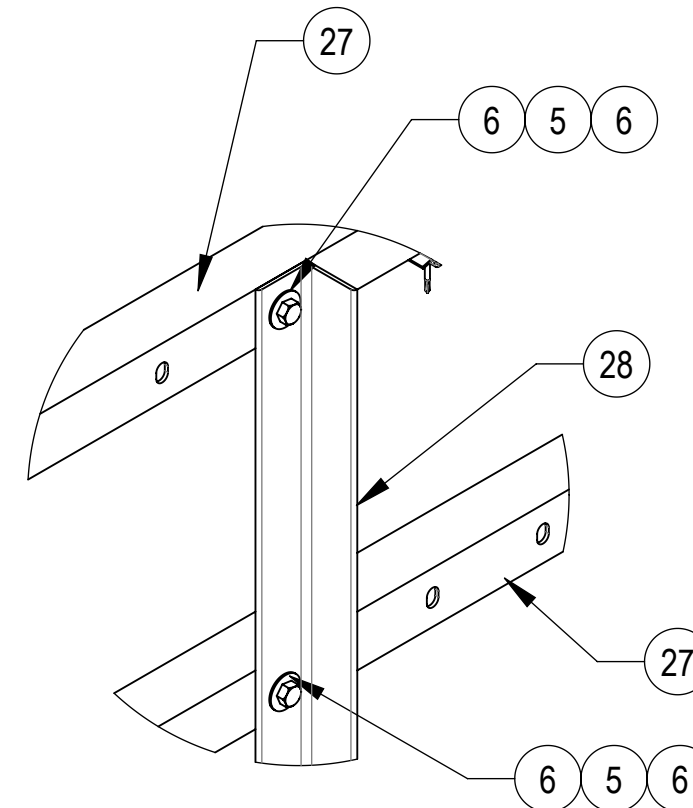
DETAIL I
SCALE 1 : 8



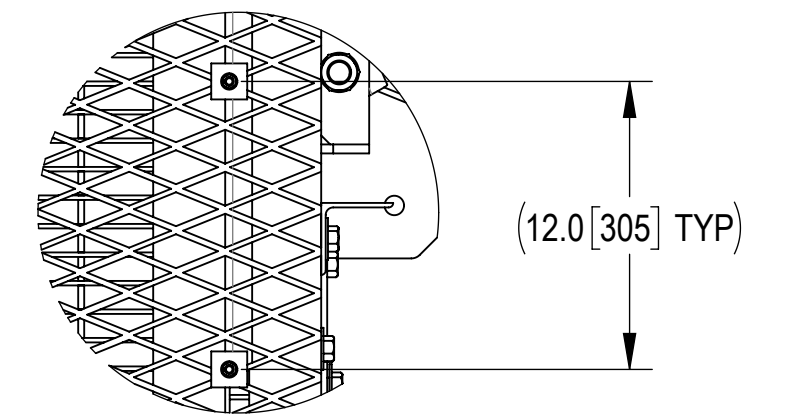
DETAIL J
SCALE 1 : 8



DETAIL K
SCALE 1 : 8



DETAIL M
SCALE 1 : 8



DETAIL L
SCALE 1 : 8

HIDE BAR GRATING FOR CLARITY

COMMSCOPE, INC. OF NORTH CAROLINA				
TITLE EQ. PLATFORM 8X12 IC HR ST KIT				
SIZE C	SCALE 1:24	DOCUMENT NO. MTC3976812		
		DRAWING		SHEET
		VERSION	STATUS	REVISION
		00	RE	A
				SHEET 5 OF 5