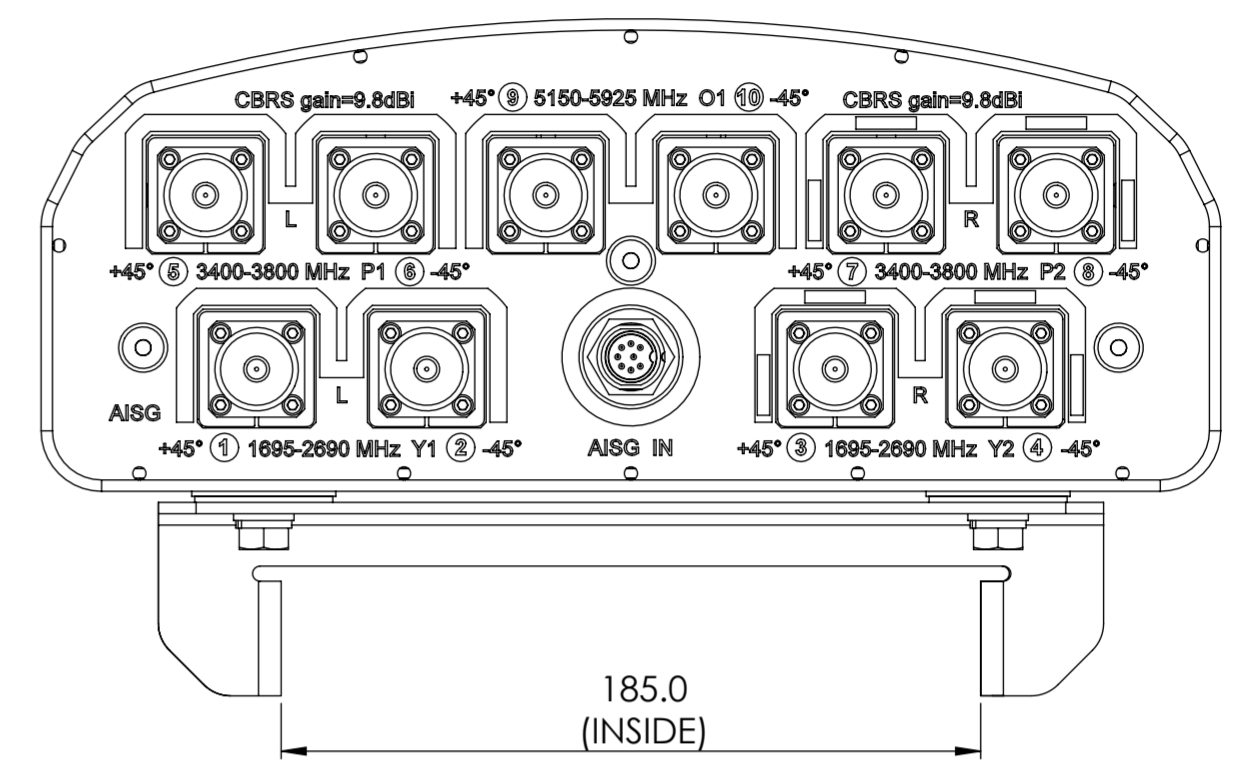


VVSSP-65S-R1BV2

© 2018 CommScope, Inc.

REVISIONS			
REV.	DESCRIPTION	DATE	APPROVED
A	ECR 8000031936: REL TO PRODUCTION PER EAO 605583.	03JAN19 RDD	AB/CHY
B	ECR 8000033658: UPDATE DRAWING WITH LATEST MODEL.	28JAN19 RDD	S.LIU/JIHE
C	ECR 8000038987: UPDATE DRAWING WITH LATEST MODEL.	15JAN20 CMY	S.LIU/HANSEN.W



COMMSCOPE, INC. OF NORTH CAROLINA											
TOLERANCES					SAP MATERIAL MASTER						
0 PLACE X±		2 PLACE .XX±									
1 PLACE .X±		ANGLES ±									
FINISH N/A					MATERIAL N/A						
<small>UNLESS OTHERWISE SPECIFIED DIMENSIONS ARE IN MILLIMETERS INTERPRET PER ISO STANDARDS HANDBOOK TECHNICAL DRAWINGS VOLUMES 1 & 2, THIRD EDITION (2002)</small>											
										NAME	
CE	RDD	27DEC18		PRODUCT DRAWING							
RW	MC1105	01/19/2020									
RV	CHALIU	01/20/2020									
AD	HW8003	01/22/2020									
RE	ZHHCHEN	01/22/2020		SCALE 1:2		DOCUMENT NO. VVSSP-65S-R1BV2-L					
ECN 8000038987-O											
SIZE A2		WORK AREA 23		MODEL		DRAWING					
		VERSION 03		STATUS RE		REVISION D		VERSION 02		STATUS RE	
								REVISION C		SHEET 1 OF 1	

DENSITY	g/mm ³
MASS	grams
VOLUME	mm ³
SURFACE AREA	mm ²
HEIGHT	
LENGTH	
WIDTH	