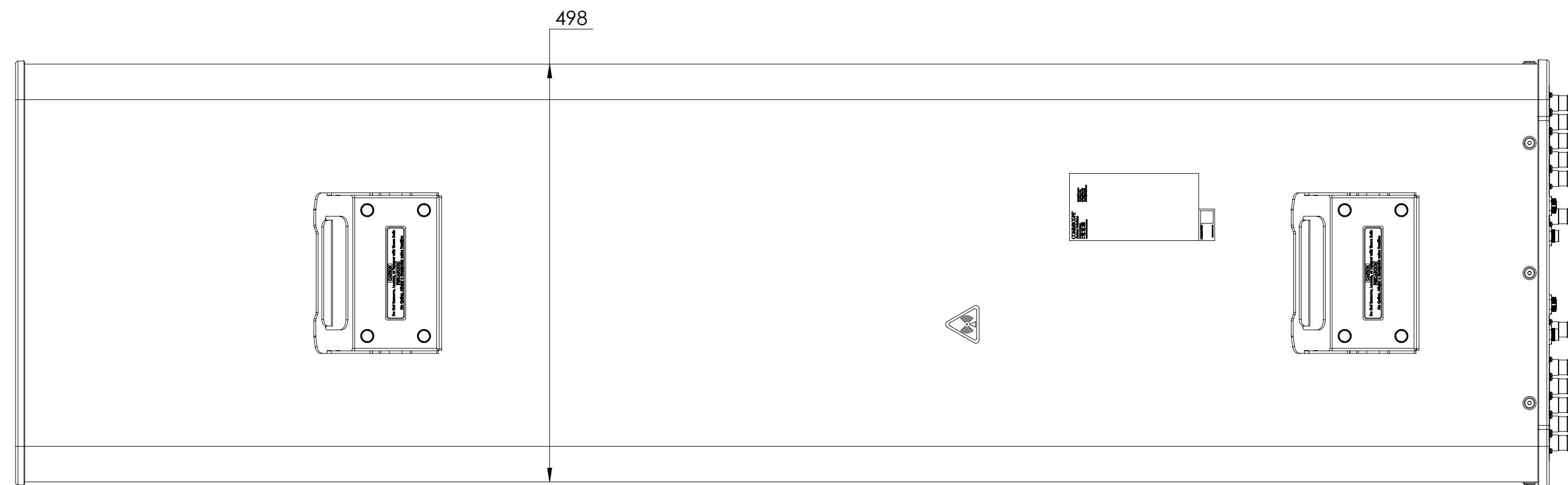
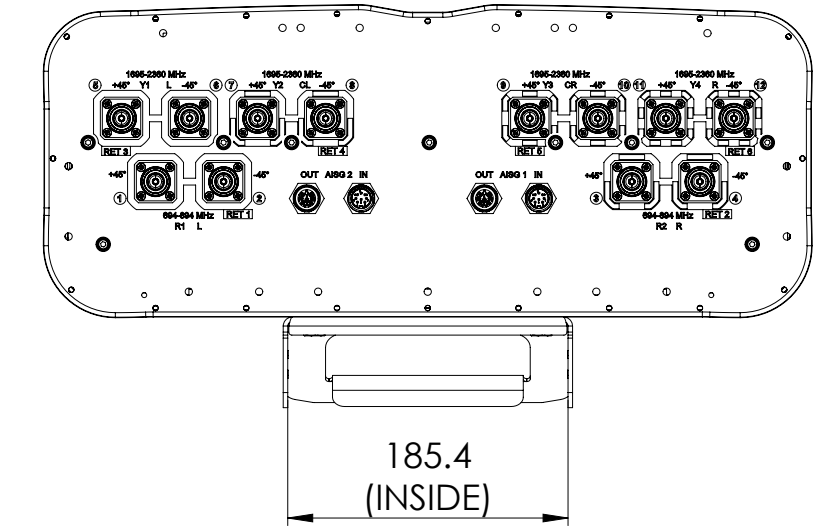
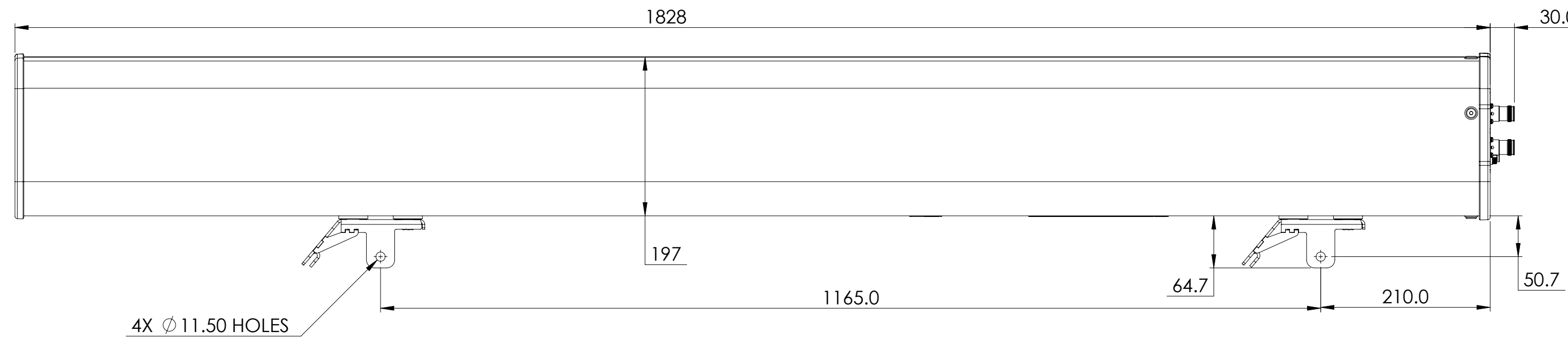


REVISIONS			
REV.	DESCRIPTION	DATE	APPROVED
A	ECR 8000038101: RELEASE TO PRODUCTION PER EAO 607146.	15MAY20 YWEI	LZL/LCL
B	ECR 15993PC: UPDATE THE DRAWING TO MATCH THE CAUTION LABEL.	06DEC21 YJP	PL.TANG/HANSEN.W
C	ECR40162047CMO: MODEL UPDATED	02DEC22 RL	RT/AA
D	ECR 40184079CMO: -V1 VARIANT ADDED.	01DEC23 SY	NH/RJ



NNH4-85B-R6
 ▸ NNH4-85B-R6-V1

COMMSCOPE, INC. OF NORTH CAROLINA												
TOLERANCES						SAP MATERIAL MASTER						
0 PLACE X ±		2 PLACE .XX ±										
1 PLACE .X ±		ANGLES ±										
FINISH						MATERIAL						
PRODUCT DRAWING												
<small>UNLESS OTHERWISE SPECIFIED DIMENSIONS ARE IN MILLIMETERS INTERPRET PER ISO STANDARDS HANDBOOK TECHNICAL DRAWINGS VOLUMES 1 & 2, THIRD EDITION (2002)</small>			NAME		DATE		TITLE					
			CE WY1013		04JAN20		SCALE 1:5 DOCUMENT NO. NNH4-85B-R6-L					
			RW YS1044		12/01/2023							
			AD NH1031		12/07/2023							
			RE DL1048		12/10/2023							
			ECN 40184079CMO									
DENSITY			g/mm ³									
MASS			grams									
VOLUME			mm ³									
SURFACE AREA			mm ²									
HEIGHT					SIZE		WORK AREA		BSA		MODEL	
LENGTH					A2		VERSION		STATUS		REVISION	
WIDTH							03		RE		D	
							DRAWING		VERSION		STATUS	
							RE		D		RE	
							DRAWING		REVISION		SHEET	
							D		D		1 OF 1	