

4

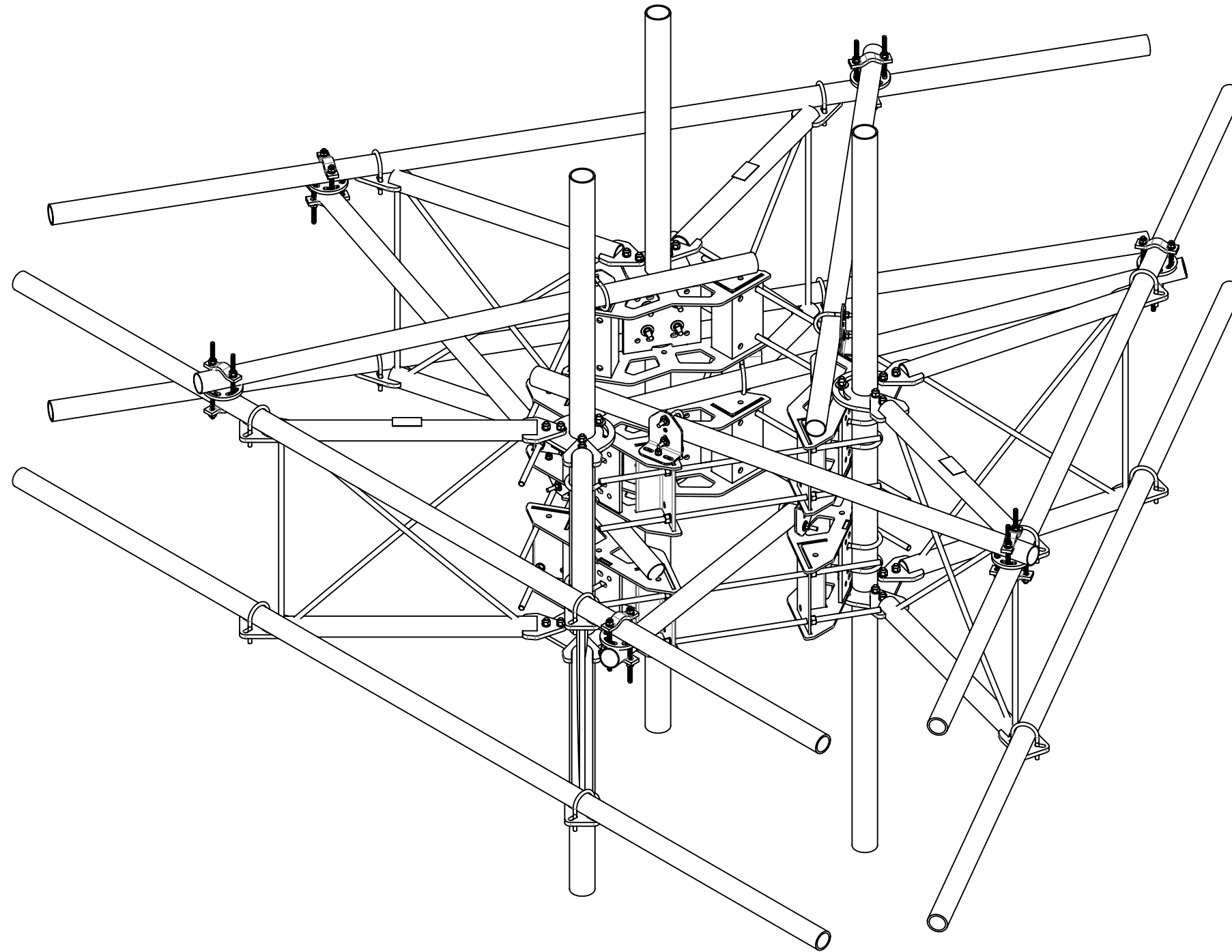
3

2

1

- 1.0 GENERAL NOTES
 - 1.1 ALL METRIC DIMENSIONS ARE IN BRACKETS [X. X]
 - 1.2 FOR PATENT INFO: <https://www.cs-pat.com>
- 2.0 DESIGN NOTES
 - 2.1 ANY HAZARDS OR OBSTRUCTIONS TO THE CLIMBING FACILITY AND SAFETY CLIMB MUST BE IDENTIFIED PRIOR TO INSTALLING THE APPURTENANCE. ADDITIONAL PRODUCTS MAY BE REQUIRED TO MAINTAIN THE INTEGRITY OF THE SAFETY CLIMB. DURING INSTALLATION, TEMPORARY AND/OR PERMANENT PRECAUTIONARY MEASURES SHOULD BE TAKEN TO PRESERVE THE CLIMBING FACILITY AND/OR SAFETY CLIMB.
 - 2.2 FITS MONOPOLES 15" TO 50" OD.
- 3.0 MANUFACTURING/SPECIAL REQUIREMENTS
 - 3.1 TIGHTEN ALL BOLTS SECURING FLAT PLATES BY THE TURN-OF-NUT METHOD. TIGHTEN ALL U-BOLTS USING TURN-OF-NUT METHOD WITH ATTENTION TO LEAVE EQUAL DISTANCE AND EQUAL FORCE ON EACH LEG OF THE U-BOLT.
- 4.0 TEST
- 5.0 PACKAGING
 - 5.1 PACKAGING SHALL MEET COMMSCOPE REQUIREMENTS PER DOCUMENT IS-PL-3005.
 - 5.2 PRINTED DOCUMENT TO BE PLACED INSIDE POLYBAG AND THEN IN SHIPPING CONTAINER.
 - 5.3 EXTRA HARDWARE MAY BE SUPPLIED, BAGGED AND SHIPPED.

REVISIONS			
REV.	DESCRIPTION	DATE	APPROVED
A	INITIAL RELEASE	JL1183 07MAY24	CB1094 40194988CMO



COMMSCOPE, INC. OF NORTH CAROLINA																					
TOLERANCES						SAP MATERIAL MASTER															
0 PLACE X[X] ± 0.25[6.3]			2 PLACE .XX[X] ± 0.06[1.5]			MCG23RHDX-13MB															
1 PLACE X[X] ± 0.12[3.0]			ANGLES ± 2°																		
FINISH						MATERIAL															
UNLESS OTHERWISE SPECIFIED DIMENSIONS ARE IN INCHES INTERPRET PER ANSI Y 14.5M-1994			NAME		DATE		MP,SF,13'FP,NOAP														
			CE JL1183		07MAY24																
			RW JL1183		05/16/2024																
			AD CB1094		05/22/2024		SCALE		DOCUMENT NO.												
			RE JL1183		05/23/2024		1:20		MCG23RHDX-13MB												
ECN 40194988CMO		SIZE		Auth Group		INSL		MODEL			DRAWING										
		C						VERSION		STATUS		REVISION		VERSION		STATUS		REVISION		SHEET	
								00		RE		A		00		RE		A		1 OF 4	

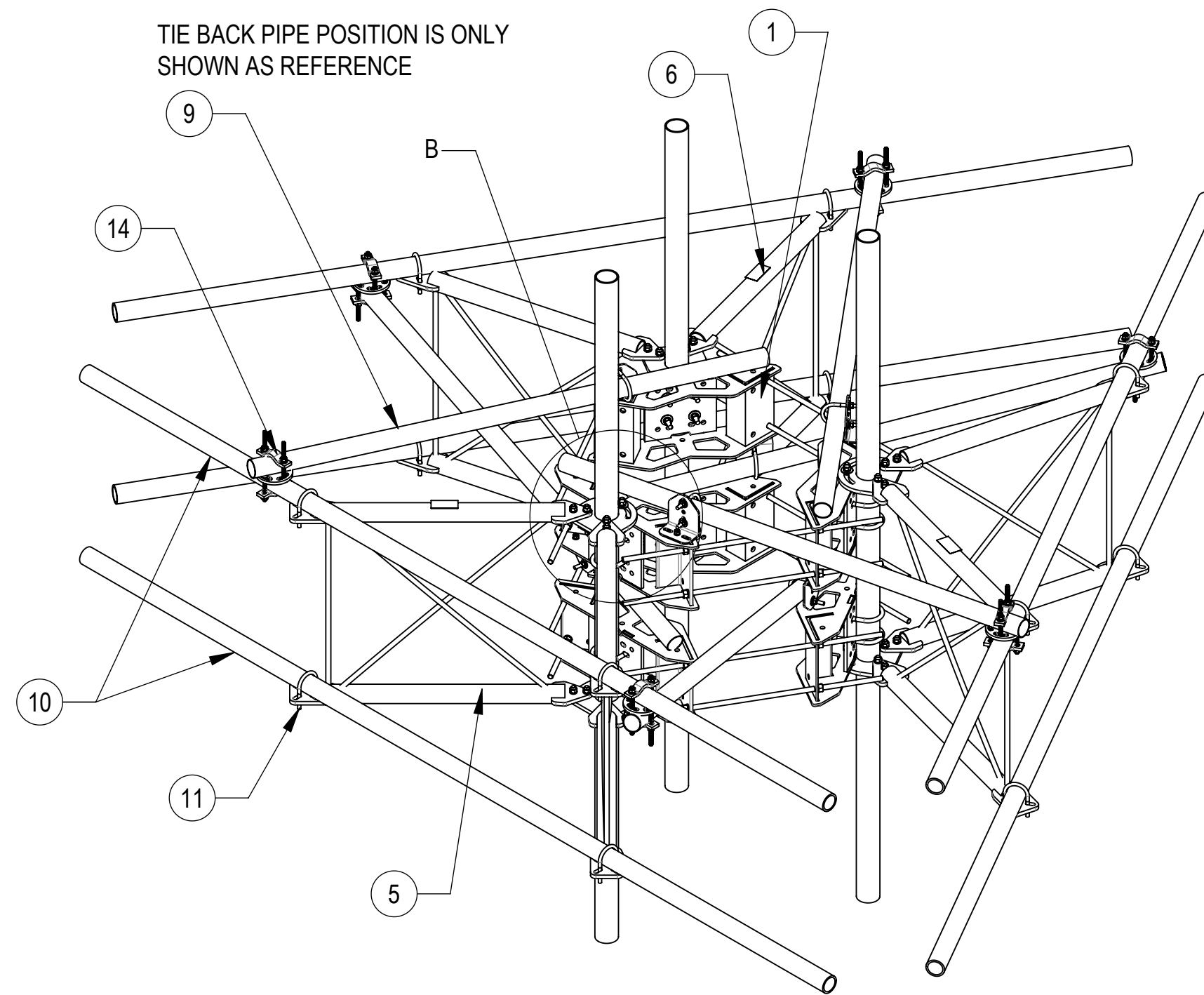
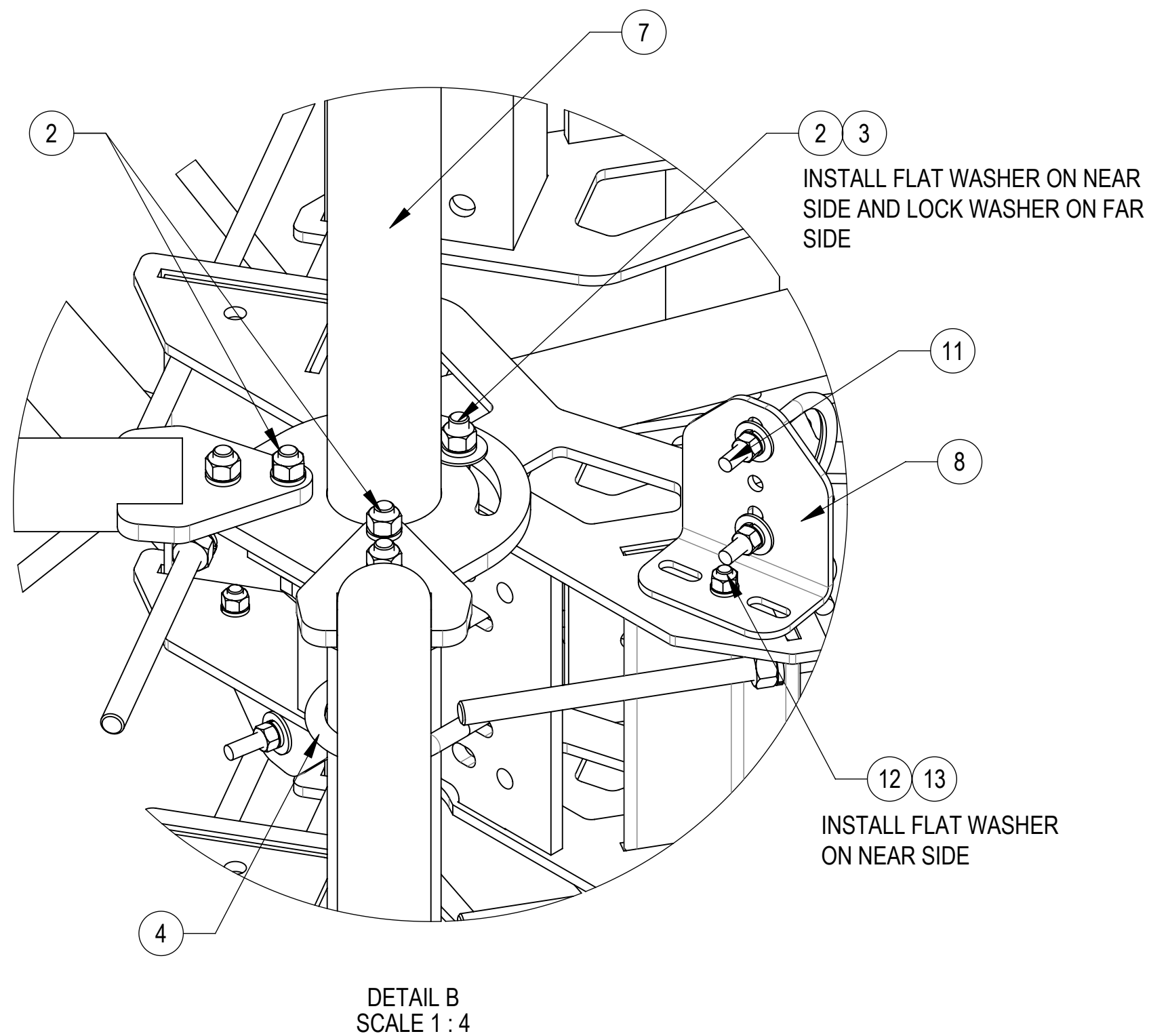
DENSITY		lbs/in ³
MASS	1984.29	lbs
VOLUME	16268.49	in ³
SURFACE AREA	93104.56	in ²
HEIGHT	120"	
LENGTH	156"	
WIDTH	84"	

4

3

2

1

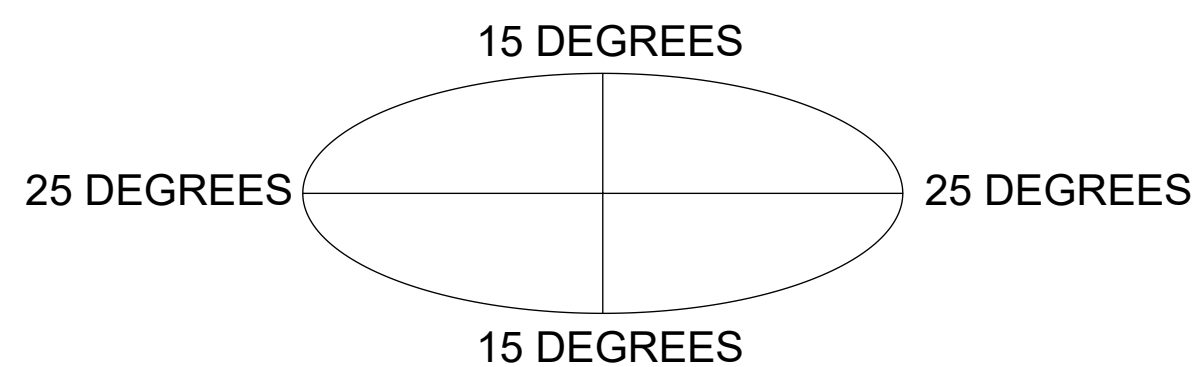


COMPONENT PART NUMBERS PROVIDED FOR ASSEMBLY PURPOSES;
INDIVIDUAL COMPONENTS MAY BE SHIPPED AS PARTS WITHIN AN INCLUDED KIT.

ITEM	PART NO.	DESCRIPTION	QTY.	WEIGHT	NOTE NO.
1	MC-RM1550-3	15" - 50" OD RINGMOUNT	2	229.90 LBS	
2	GB-05225	5/8" X 2-1/4" GALV BOLT KIT	30	0.28 LBS	
3	GWF-05	5/8" GALV FLAT WASHER, 1.7OD	6	0.06 LBS	
4	GUB-53560	5/8" X 3-5/8" X 6" GALV U-BOLT	12	1.30 LBS	
5	SFG23175	ARM, STANDOFF - SFG23	6	63.28 LBS	
6	SFG2398	LABEL, SFG23RHDX	3	0.04 LBS	
7	SFG2204	WELDMENT, BACK VERTICAL ARM MOUNT	3	36.96 LBS	
8	XAU01	ANGLE, CROSSOVER, 1.9-3.5" X 1.9-3.5" OD	6	2.98 LBS	
9	MT546084120	2.88" OD X 84" LONG PIPE	6	24.81 LBS	
10	MT546156276	PIPE, 2.875"OD X 156"	6	99.95 LBS	
11	GUB-4352	1/2" X 3" X 5-1/4" GALV U-BOLT	18	0.71 LBS	
12	GB-04145	1/2" X 1-1/2" GALV BOLT KIT	6	0.13 LBS	
13	GWF-04	1/2" GALV FLAT WASHER	6	0.04 LBS	
14	XP-R	CROSSOVER PLATE, ROUND, UP TO 3.5" OD	6	6.20 LBS	

ALLOWABLE TIEBACK ANGLE

± 15 DEGREES VERTICAL
± 25 DEGREES HORIZONTAL



COMMSCOPE, INC. OF NORTH CAROLINA				
TITLE MP,SF,13'FP,NOAP				
SIZE C	SCALE 1:20	DOCUMENT NO. MCG23RHDX-13MB		
DRAWING		VERSION	STATUS	REVISION
		00	RE	A
				SHEET 2 OF 4

4

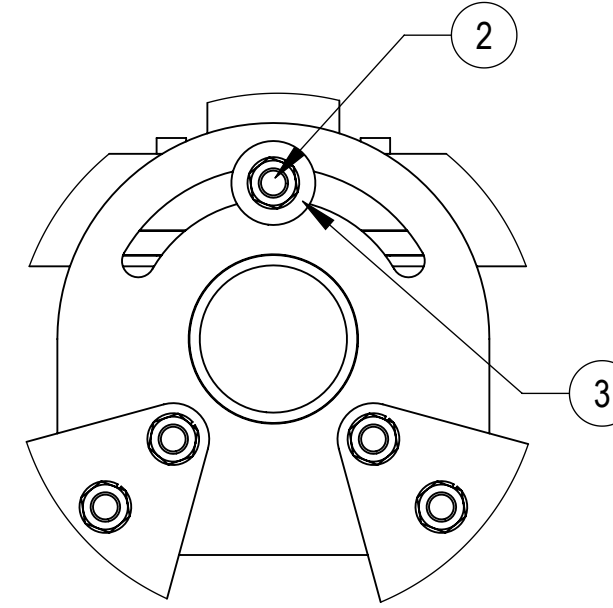
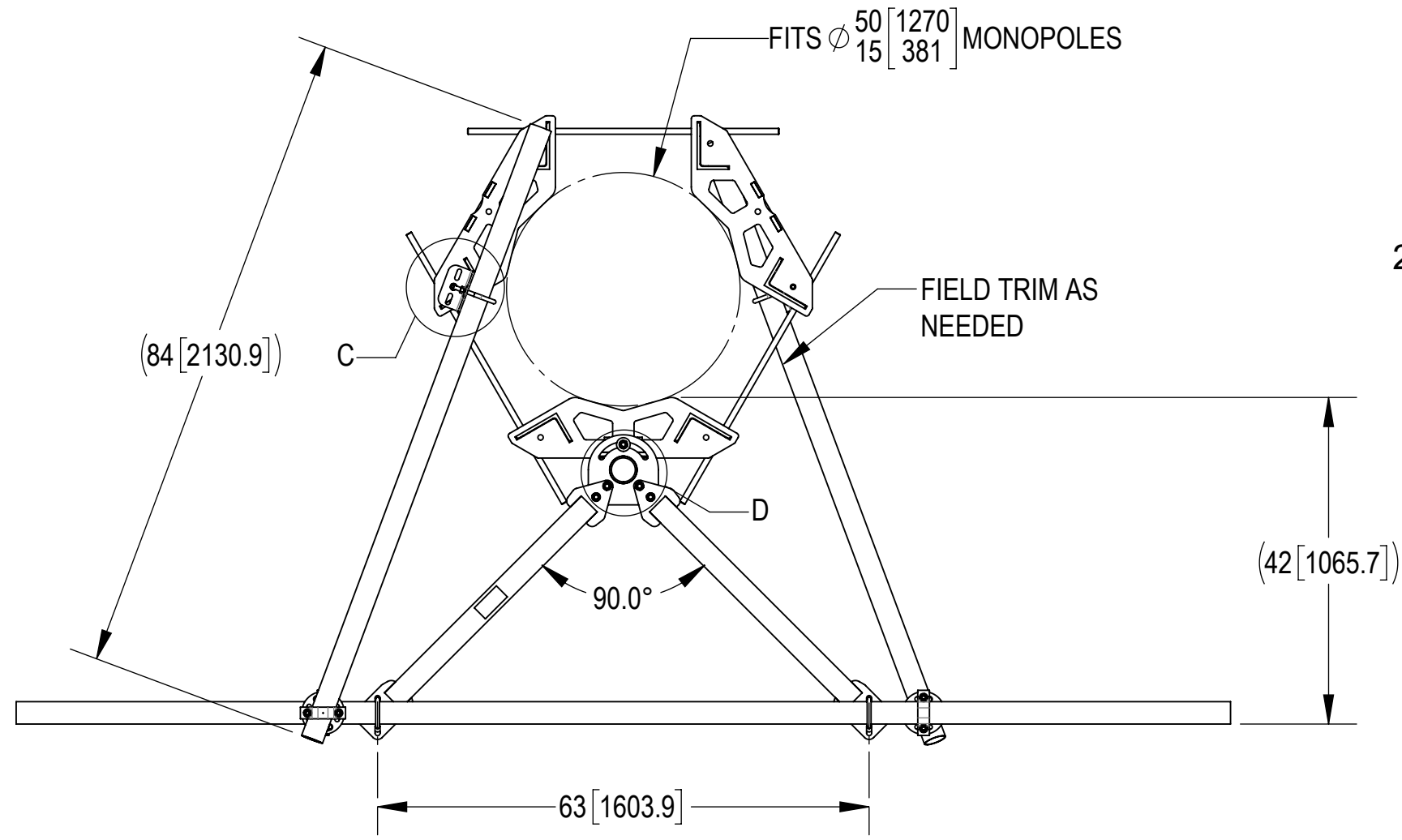
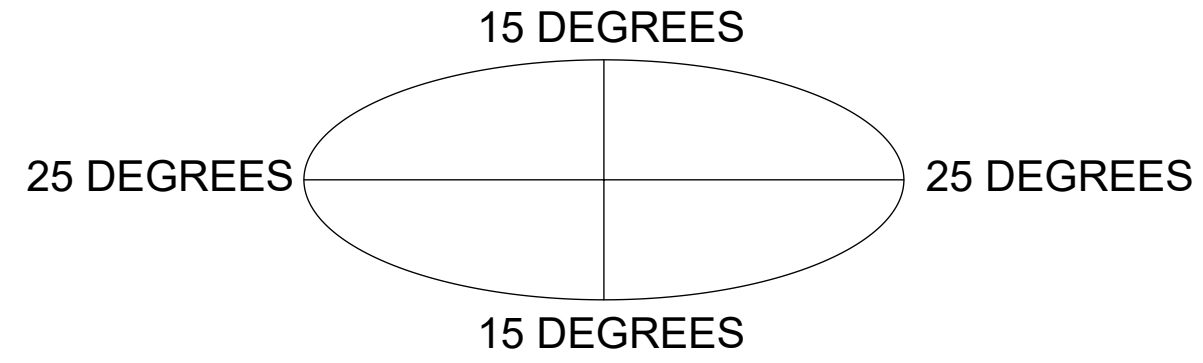
3

2

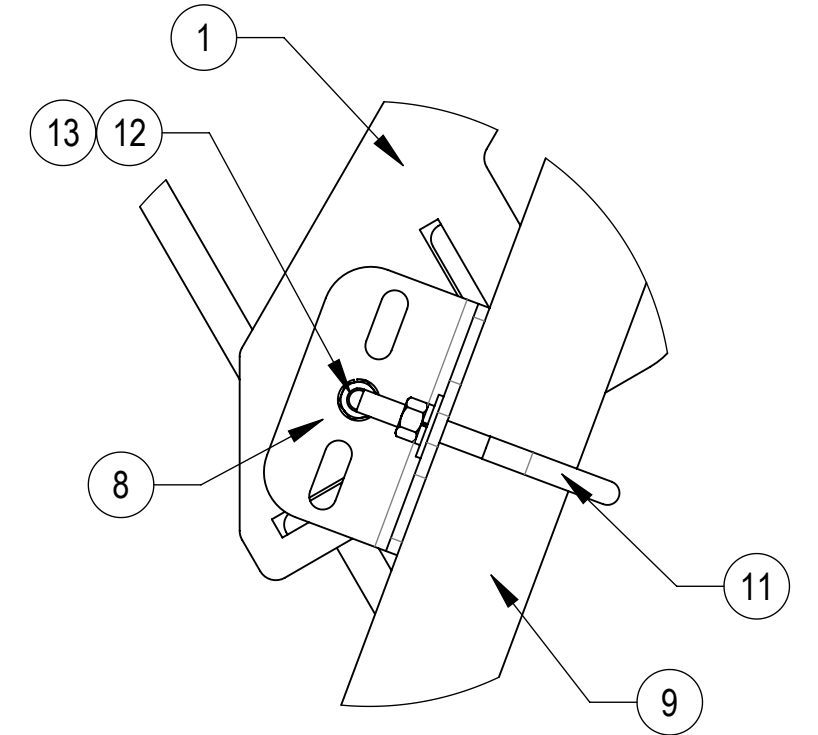
1

ALLOWABLE TIEBACK ANGLE

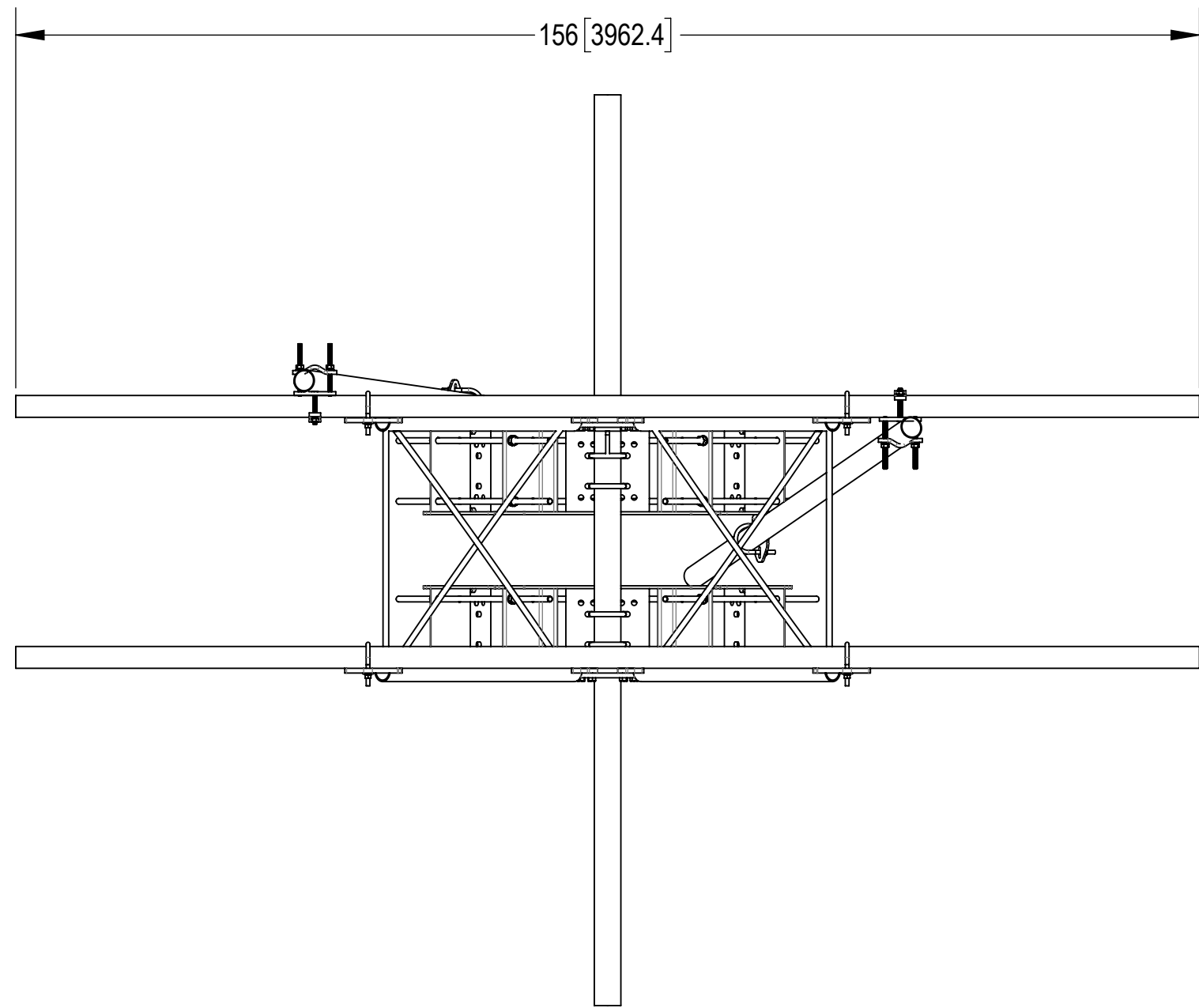
±15 DEGREES VERTICAL
±25 DEGREES HORIZONTAL



DETAIL D
SCALE 1:4

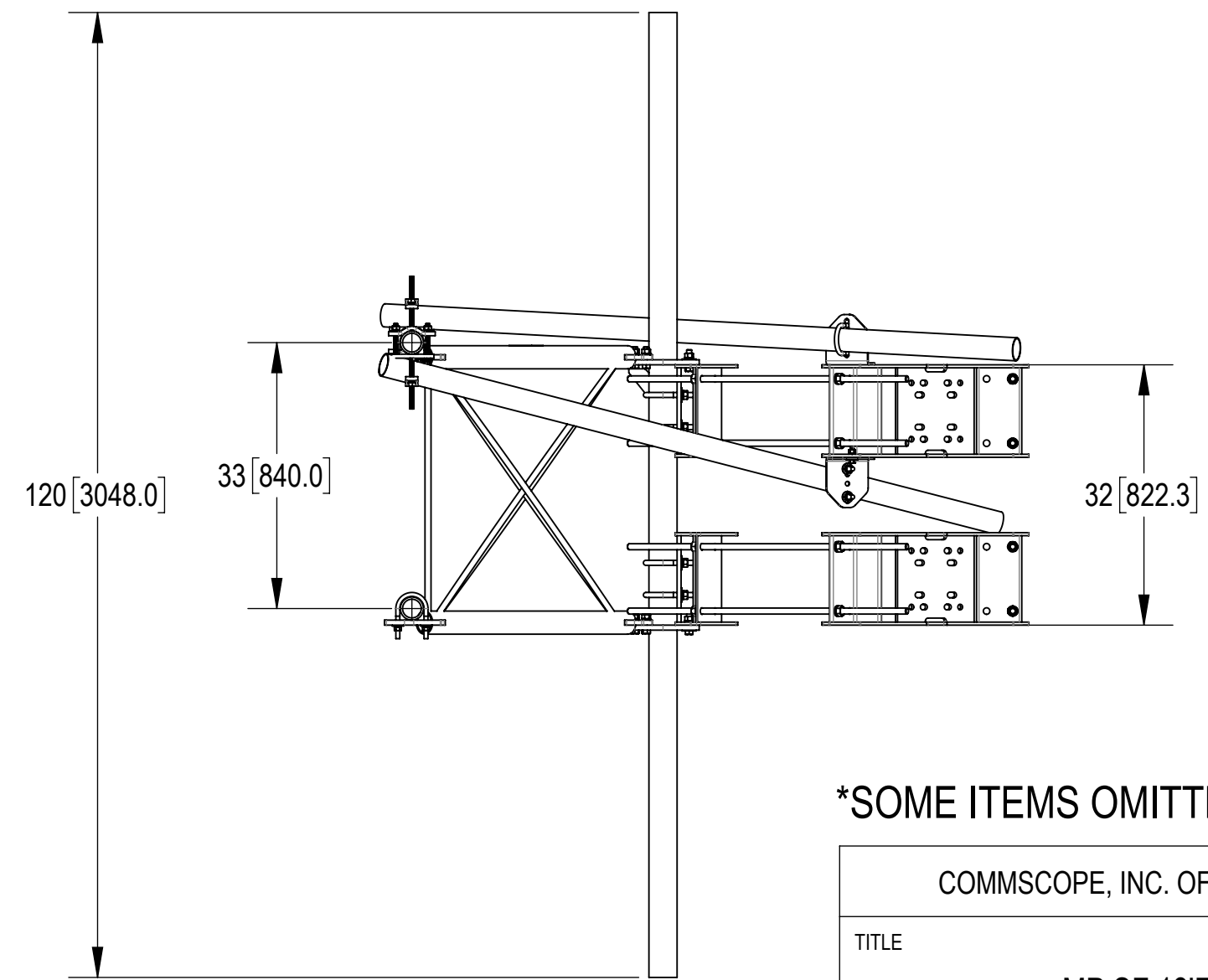


DETAIL C
SCALE 1:4



TOP

BOTTOM



SOME ITEMS OMITTED FOR CLARITY

COMMSCOPE, INC. OF NORTH CAROLINA					
TITLE MP,SF,13'FP,NOAP					
SIZE C	SCALE 1:20	DOCUMENT NO. MCG23RHDY-13MB			
		DRAWING			SHEET
		VERSION	STATUS	REVISION	3 OF 4
		00	RE	A	

4

3

2

1

D

D

C

C

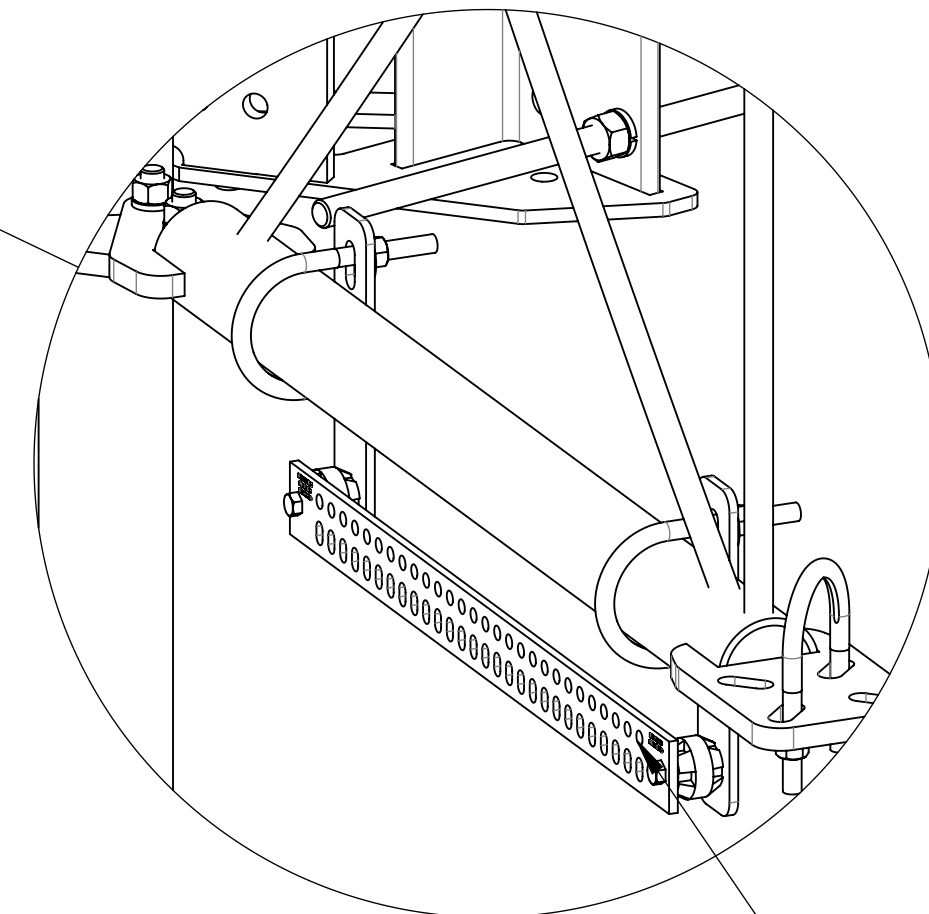
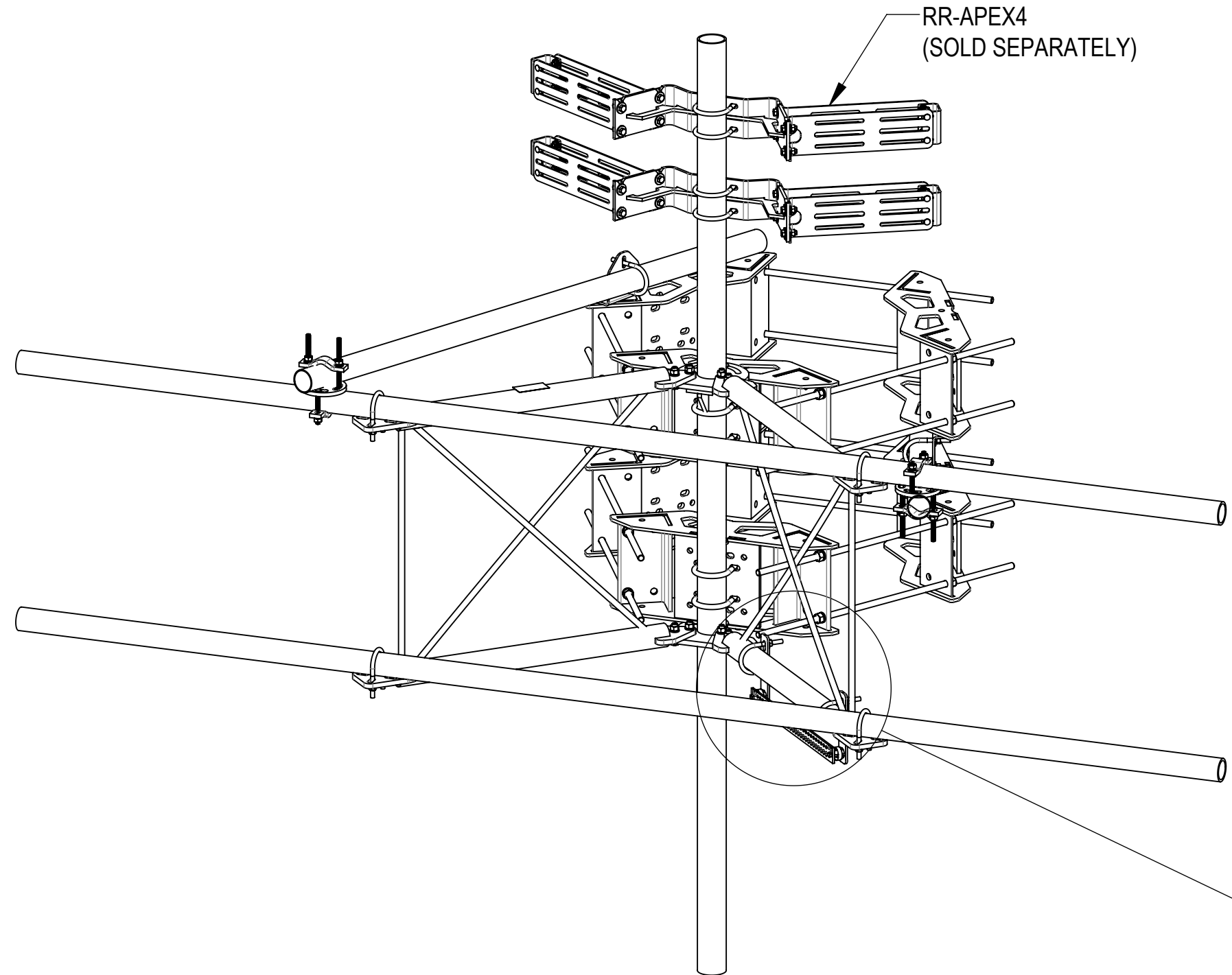
B

B

A

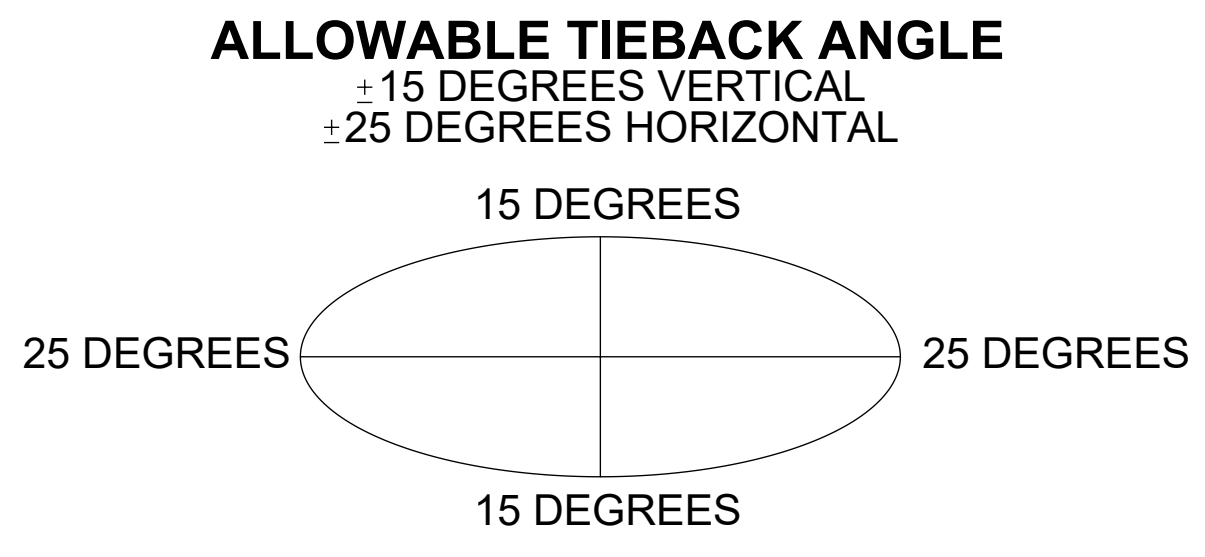
A


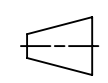
OPTIONAL ACCESSORIES:



DETAIL E
SCALE 1:5

GBSF278
(SOLD SEPARATELY)



COMMSCOPE, INC. OF NORTH CAROLINA				
TITLE MP,SF,13'FP,NOAP				
SIZE C	SCALE 1:24	DOCUMENT NO. MCG23RHDx-13MB		
 		DRAWING		SHEET
		VERSION 00	STATUS RE	REVISION A