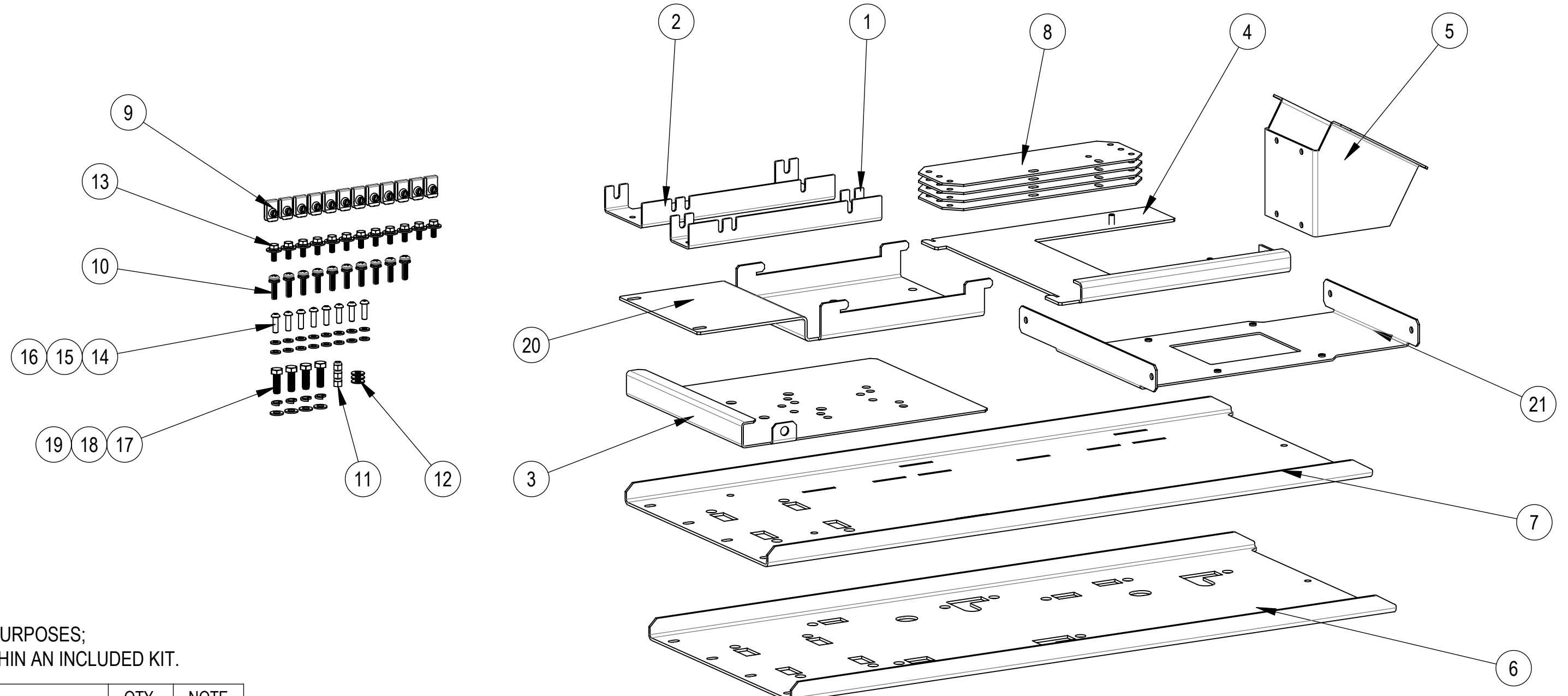


- 1.0 GENERAL NOTES
 - 1.1 THIS DOCUMENT PROVIDES INSTALLATION INSTRUCTIONS FOR POWER SUPPLY UNITS MOUNTING INTO PRIMARY PSU MOUNTING LOCATION OF THE 20" POLE BASE
- 2.0 DESIGN NOTES
 - 2.1 POWER SUPPLY/RECTIFIERS SUPPLIED SEPARATELY, SHOWN FOR REFERENCE ONLY
- 3.0 MANUFACTURING/SPECIAL REQUIREMENTS
 - 3.1 TORQUE HARDWARE ACCORDING TO SIZE:
 - > M4: TORQUE 19.50 IN-LB OR 2.2 N-M
 - > M6: TORQUE 40.0 IN-LB OR 4.5 N-M
 - > M8: TORQUE 6.6 FT-LB OR 9.0 N-M
 - <PARA >> M10: TORQUE 16.2 FT-LB OR 22 N-M
 - > 1/4": TORQUE 4.8 FT-LB OR 6.6 N-M
 - 3.2 EXTRA HARDWARE MAY BE SUPPLIED
- 4.0 TEST
- 5.0 PACKAGING
 - 5.1 PACKAGING SHALL MEET COMMSCOPE REQUIREMENTS PER DOCUMENT IS-PL-3005
 - 5.2 BAG AND INDIVIDUALLY TAG ALL HARDWARE AND PLACE IN SHIPPING BOX WITH BRACKETS FOR CUSTOMER INSTALLATION.
 - 5.3 THIS PRINTED DOCUMENT TO BE PLACED INSIDE SHIPPING BOX FOR CUSTOMER INSTALLATION

REVISIONS			
REV.	DESCRIPTION	DATE	APPROVED
A	INITIAL RELEASE	NSUN 13SEP23	RW1043 40178739CMO
B	ADDED CONFIGURATION E11; UPDATED THE DRAWINGS OF SHEET1 AND ADDED SHEET 2 & 11	YC1059 31MAY24	LX1002 40196384CMO



COMPONENT PART NUMBERS PROVIDED FOR ASSEMBLY PURPOSES;
INDIVIDUAL COMPONENTS MAY BE SHIPPED AS PARTS WITHIN AN INCLUDED KIT.

ITEM NO.	PART NUMBER	DESCRIPTION	QTY.	NOTE
1	MTM1193-1111-CR	BRKT SM SPRT 4 HOOK & HANG PB20GA-0.375	1	
2	MTM1193-1112-CR	BRKT LG SPRT 4 HOOK & HANG PB20GA-0.375	1	
3	MTM1160-1141-CR	BRKT SLIDE HANGER ERICSON PB20GA	1	
4	MTM1160-1162-CR	BRACKET, HANGING RAIL MOVEABLE PB20GA	1	
5	MTM1160-1167-CR	BRKT DIPLEX MNTG TOP/ANGLE PB20GA	1	
6	MTM1160-1168-CR	BRKT MAIN PLATE RADIOS REAR PB20GA	1	
7	MTM1160-1169-CR	BRKT MAIN HK & HANG REAR PLT PB20GA	1	
8	MTM1028-661	BRACKET, ERC2203 RADIO	4	
9	460143456	CLIP NUT, M6, 316 SST	12	5.2
10	100117-4	FA,SEMS,PH,XRES,M6X25,SST,PASS	10	5.2
11	SNYL02	1/4" SS NYLOCK HEX NUT	3	5.2
12	SWF-02	1/4" STAINLESS FLAT WASHER	3	5.2
13	460155492	SEMS, HCS M6 X 16MM WITH CAPTIVE WASHERS	12	5.2
14	100560-66	SCR,BUTTN HD,HEXSOCK,M6X20,SST,PASS	8	5.2
15	100522-25	WSHR,LK,SPLT, M6,SST, PASS	8	5.2
16	100521-25	WSHR,FLAT,M6,6.4X12X1.6,SST,PASS	8	5.2
17	MTC9415	M8 X 25mm HEX BOLT SS	4	5.2
18	MTC9418	M8 LOCK WASHER SS	4	5.2
19	MTC9419	M8 FLAT WASHER SS	4	5.2
20	MTM1209-1000-CR	BRKT MOUNT RU4467	1	
21	MTM1209-2000-CR	BRKT MOUNT AC08	1	
9000	MTM1193-1101-AMK-E	REFERENCE DOCUMENT	1	5.3

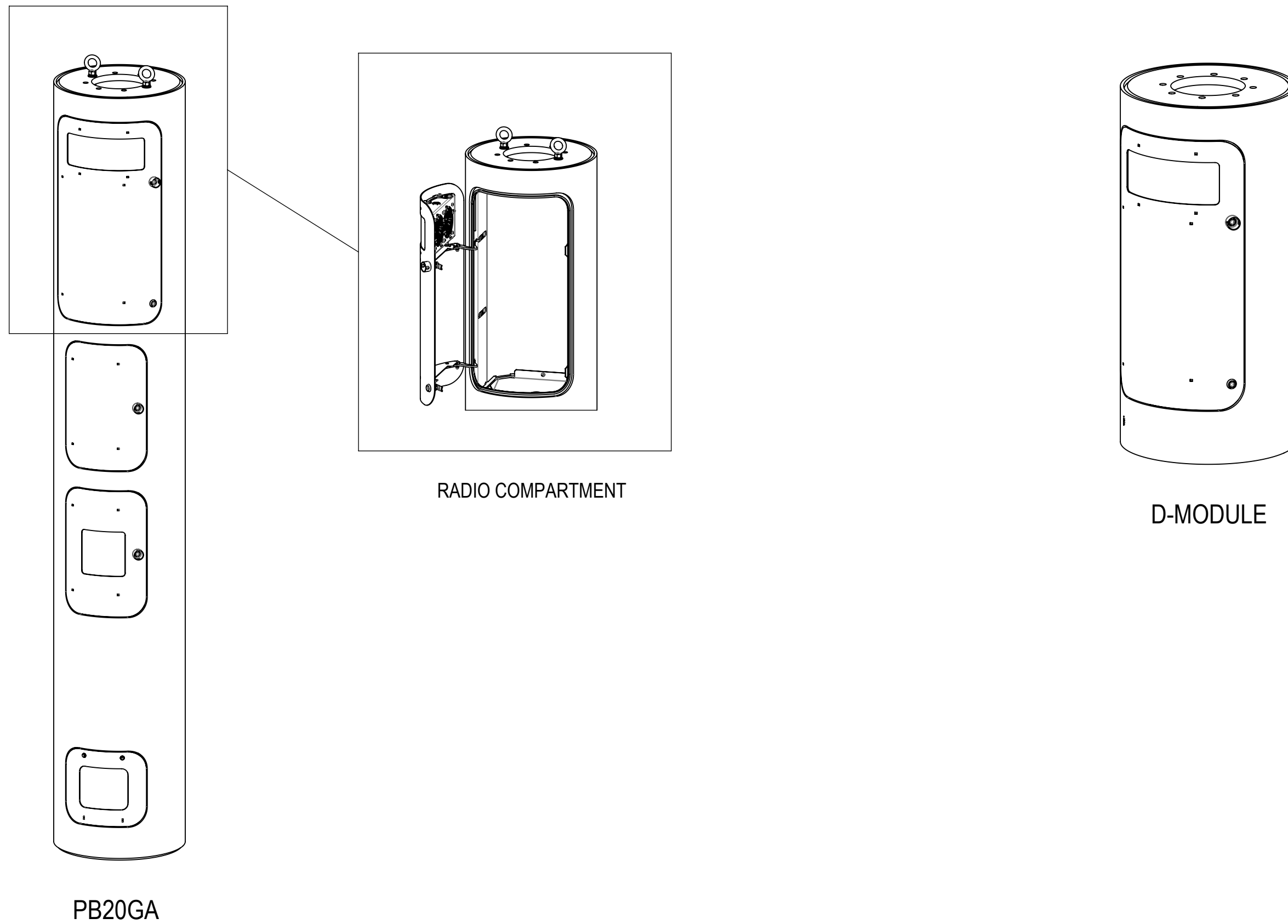
DENSITY	22.62	lbs/in ³
MASS	3888.00	lbs
VOLUME	1944.00	in ³
SURFACE AREA	1800.00	in ²
HEIGHT	6.00	[152.4]
LENGTH	36.00	[914.4]
WIDTH	18.00	[457.2]

COMMSCOPE, INC. OF NORTH CAROLINA								
TOLERANCES		SAP MATERIAL MASTER						
1 PLACE .X[X] ± N/A	3 PLACE .XXX[X] ± N/A	MTM1193-1101-AMK-E						
2 PLACE .XX[X] ± N/A	ANGLES ± N/A°							
FINISH		MATERIAL						
UNLESS OTHERWISE SPECIFIED DIMENSIONS ARE IN INCHES INTERPRET PER ANSI Y 14.5M-1994	NAME	DATE	KIT ERICSSON INSTALL INTO PB20GA-0.375					
	CE NSUN	13SEP23						
	RW YC1059	06/05/2024						
	AD LX1002	06/10/2024						
	RE DM1121	06/11/2024						
ECN 40196384CMO	SCALE 1:8		DOCUMENT NO. MTM1193-1101-AMK-E					
SIZE	Auth Group	INSL	MODEL					
C		VERSION	STATUS	REVISION	VERSION	STATUS	REVISION	SHEET
		01	IW	B	01	RE	B	1 OF 11

ERICSSON EQUIPMENT INSTALLATION CONFIGURATION LIST

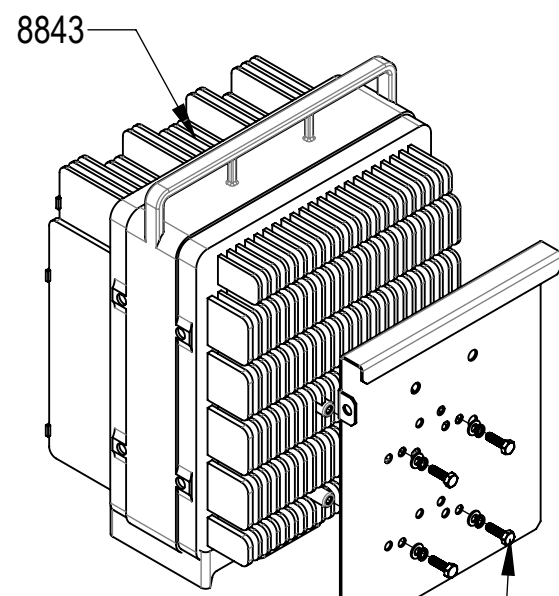
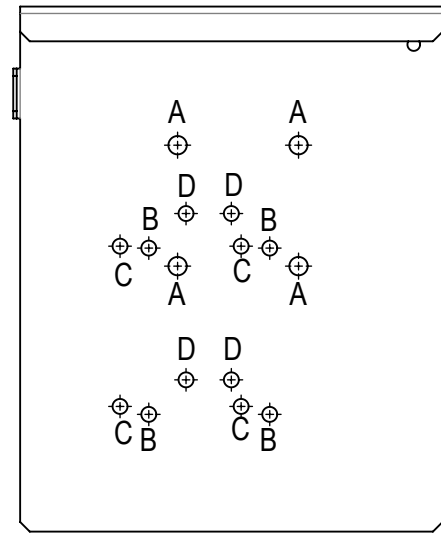
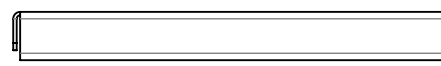
CONFIGURATION	SHEET NO.	EQUIP.1	QTY	EQUIP.2	QTY
E2	4	8843	1	QUAD DIPLEXER SDX1926Q-43	1
E3	5	4449	1		
E4	6	8863	1	QUAD DIPLEXER SDX1926Q-43	1
E5	7	4415	1		
E6	8	4426	1		
E7	9	4478	1		
E8	10	2203	4	QUAD DIPLEXER SDX1926Q-43	1
E11	11	4467	1	AC08	1

ESTABLISH ERICSSON CONFIGURATION FROM ABOVE TABLE TO INSTALL DESIRED ERICSSON RADIOS IN THE PB20GA AND OPTIONAL D-MODULE
 SEE SHEET 3 FOR DETAILED SECURING OF RADIOS & DIPLEXERS TO BRACKETS.
 SEE SPECIFIC SHEET NUMBER FOR FURTHER INSTALLATION DETAILS.

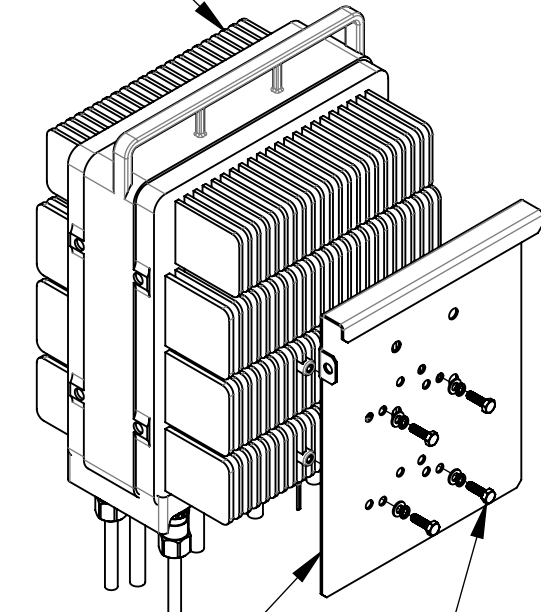


COMMSCOPE, INC. OF NORTH CAROLINA			
TITLE KIT ERICSSON INSTALL INTO PB20GA-0.375			
SIZE C	SCALE 1:16	DOCUMENT NO. MTM1193-1101-AMK-E	
DRAWING			SHEET
VERSION 01	STATUS RE	REVISION B	2 OF 11

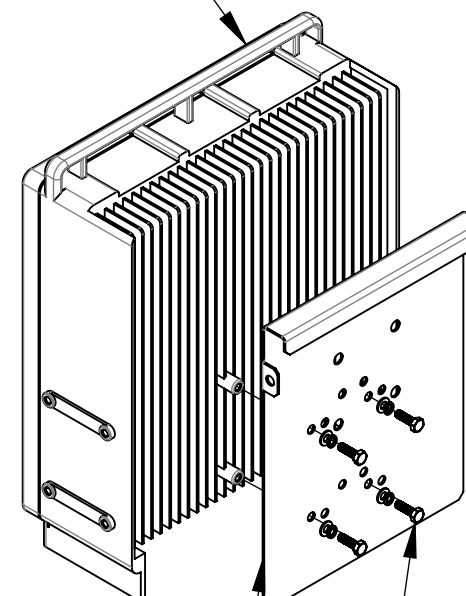
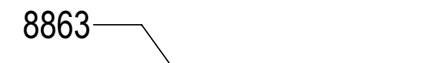
EQUIPMENT MOUNTING INSTALLATION



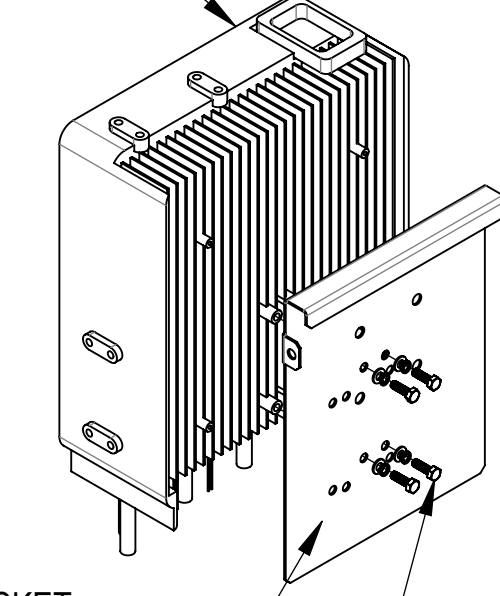
8843:
BRACKET MTM1160-1141-CR
4X M8 HARDWARE



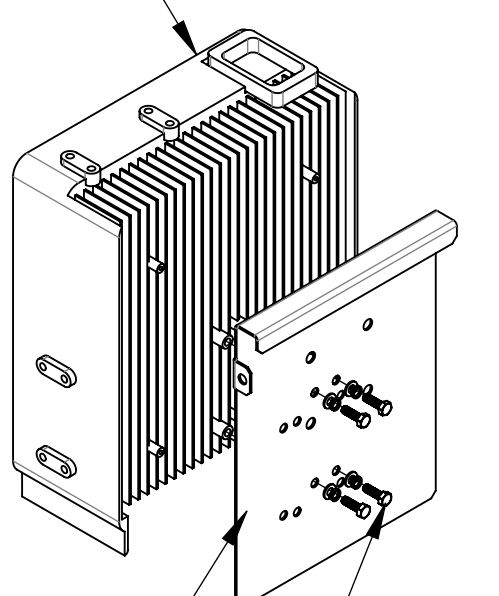
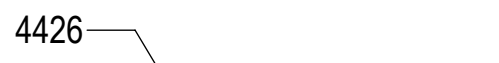
4449:
BRACKET MTM1160-1141-CR
4X M8 HARDWARE



8863:
BRACKET MTM1160-1141-CR
4X M8 HARDWARE



4415:
BRACKET MTM1160-1141-CR
4X M8 HARDWARE



4426:
BRACKET MTM1160-1141-CR
4X M8 HARDWARE

RADIO INSTALLATION MTM1160-1141-CR

"A": ERC 4455
"B": ERC 8843 + ERC 4449
"C": ERC 8863
"D": ERC 4415 + ERC 4426 + ERC 4478

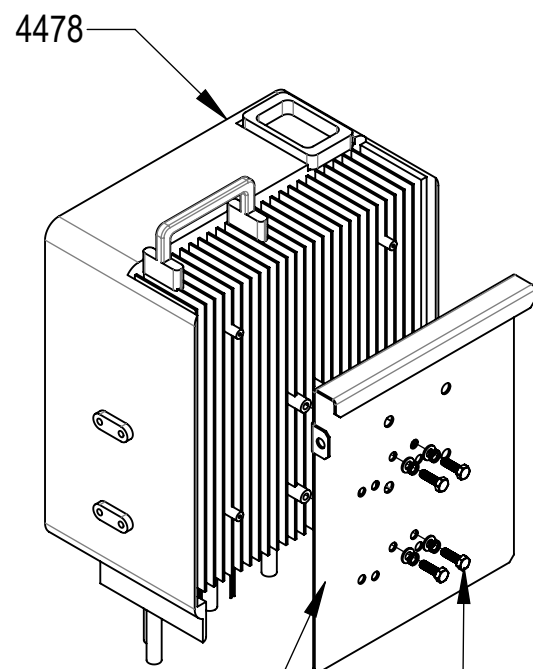
8843:
INSTALL THE ERC 8843 TO THE MOUNTING BRACKET MTM1160-1141-CR USING 4 SETS OF M8 HEX BOLTS, LOCK WASHERS AND FLAT WASHERS AS SHOWN

4449:
INSTALL THE ERC 4449 TO THE MOUNTING BRACKET MTM1160-1141-CR USING 4 SETS OF M8 HEX BOLTS, LOCK WASHERS AND FLAT WASHERS AS SHOWN

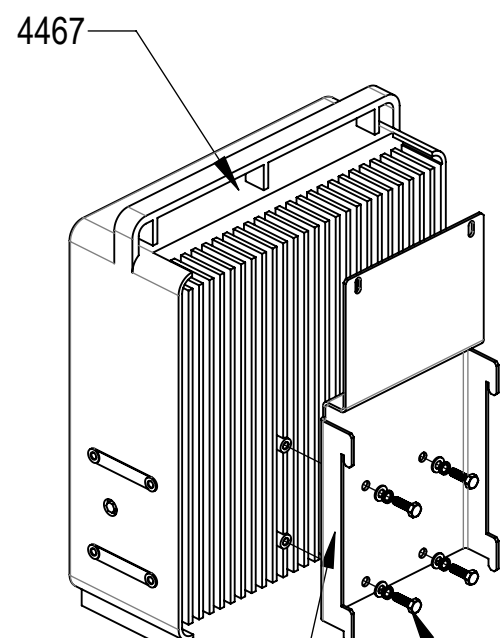
8863:
INSTALL THE ERC 8863 TO THE MOUNTING BRACKET MTM1160-1141-CR USING 4 SETS OF M8 HEX BOLTS, LOCK WASHERS AND FLAT WASHERS AS SHOWN

4415:
INSTALL THE ERC 4415 TO THE MOUNTING BRACKET MTM1160-1141-CR USING 4 SETS OF M8 HEX BOLTS, LOCK WASHERS AND FLAT WASHERS AS SHOWN

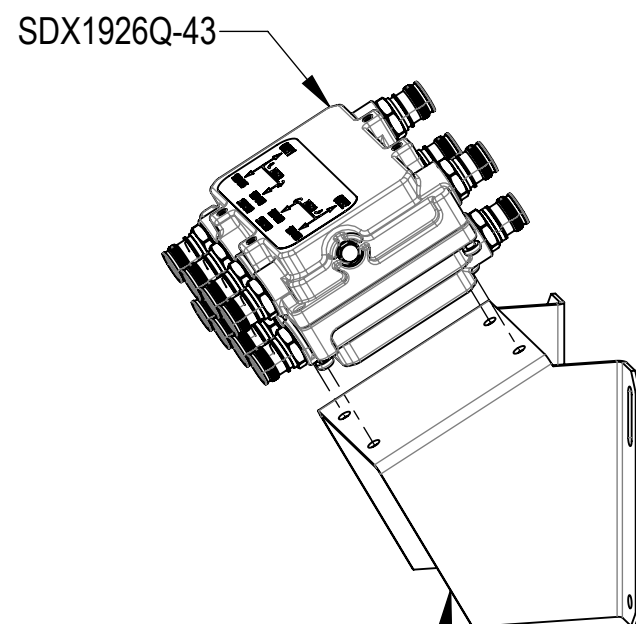
4426:
INSTALL THE ERC 4426 TO THE MOUNTING BRACKET MTM1160-1141-CR USING 4 SETS OF M8 HEX BOLTS, LOCK WASHERS AND FLAT WASHERS AS SHOWN



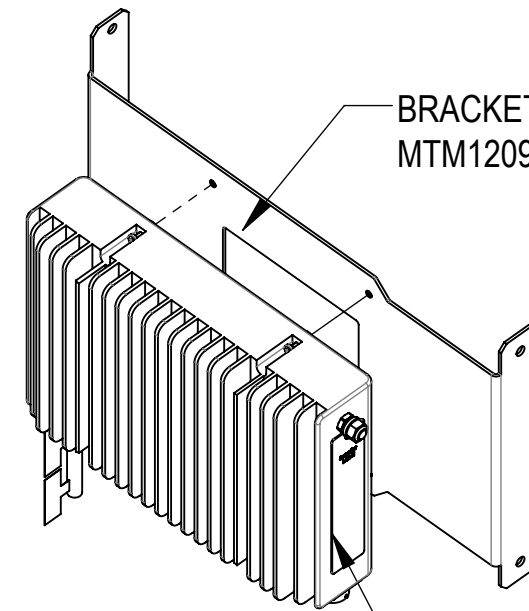
4478:
BRACKET MTM1160-1141-CR
4X M8 HARDWARE



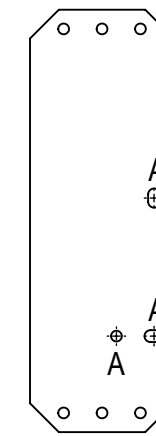
4467:
BRACKET MTM1209-1000-CR
4X M8 HARDWARE



SDX1926Q-43:
BRACKET MTM1160-1167-CR

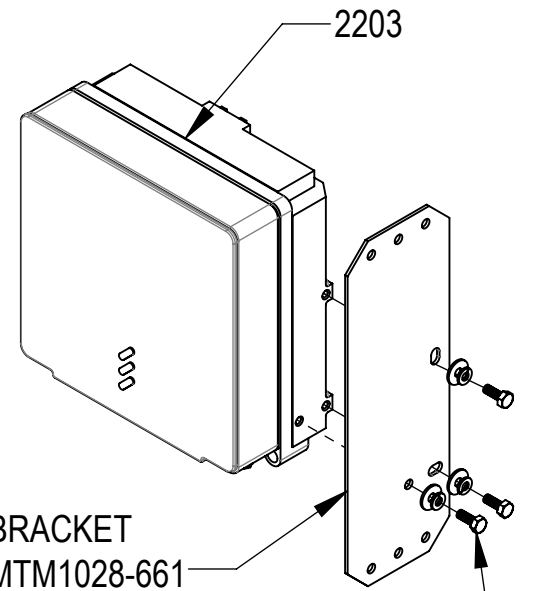


AC08:
BRACKET MTM1209-2000-CR
4X M4 CAPTIVE SCREWS AND FLAT WASHER PROVIDED WITH THE PSU AC08



RADIO INSTALLATION MTM1028-661

"A": ERC 2203



2203:
BRACKET MTM1028-661
4X M6 HARDWARE

2203:
INSTALL THE ERC 2203 TO THE MOUNTING BRACKET MTM1028-661 USING 4 SETS OF M6 HEX BOLTS, LOCK WASHERS AND FLAT WASHERS AS SHOWN

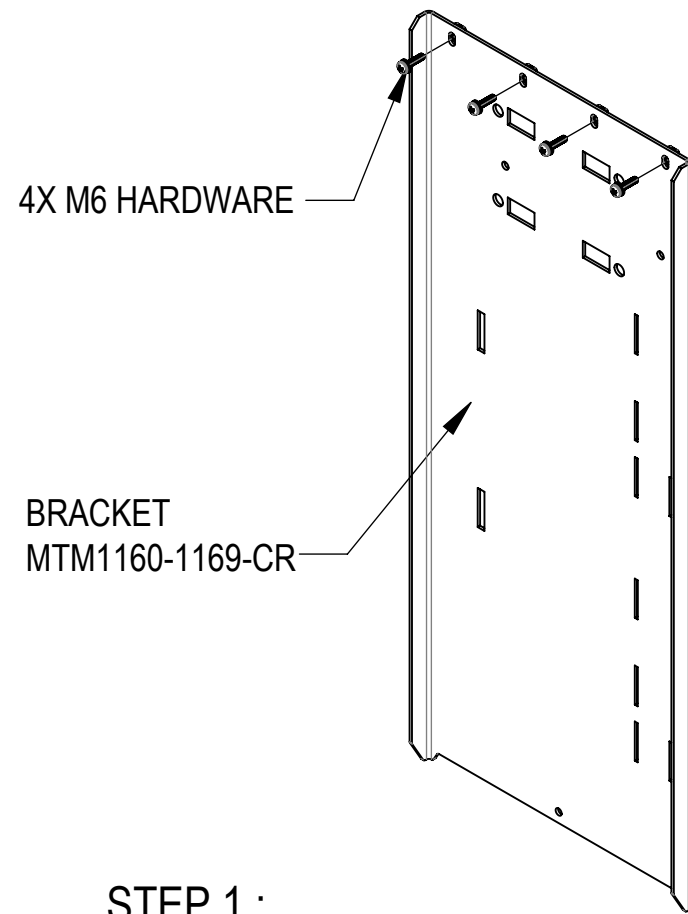
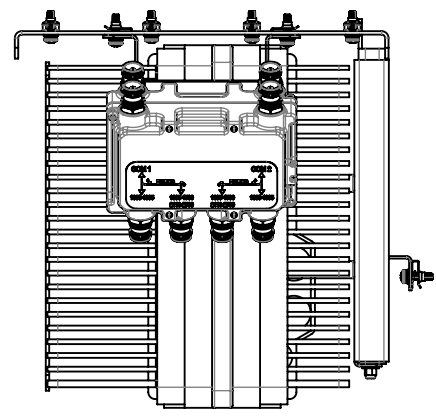
4478:
INSTALL THE ERC 4478 TO THE MOUNTING BRACKET MTM1160-1141-CR USING 4 SETS OF M8 HEX BOLTS, LOCK WASHERS AND FLAT WASHERS AS SHOWN

4467:
INSTALL THE ERC 4467 TO THE MOUNTING BRACKET MTM1209-1000-CR USING 4 SETS OF M8 HEX BOLTS, LOCK WASHERS AND FLAT WASHERS AS SHOWN

SDX1926Q-43:
INSTALL THE QUAD DIPLEXER SDX1926Q-43 TO THE MOUNTING BRACKET MTM1160-1167-CR USING 4 SETS OF M5 CAPTIVE SEM SCREWS PROVIDED WITH THE SDX1926Q-43

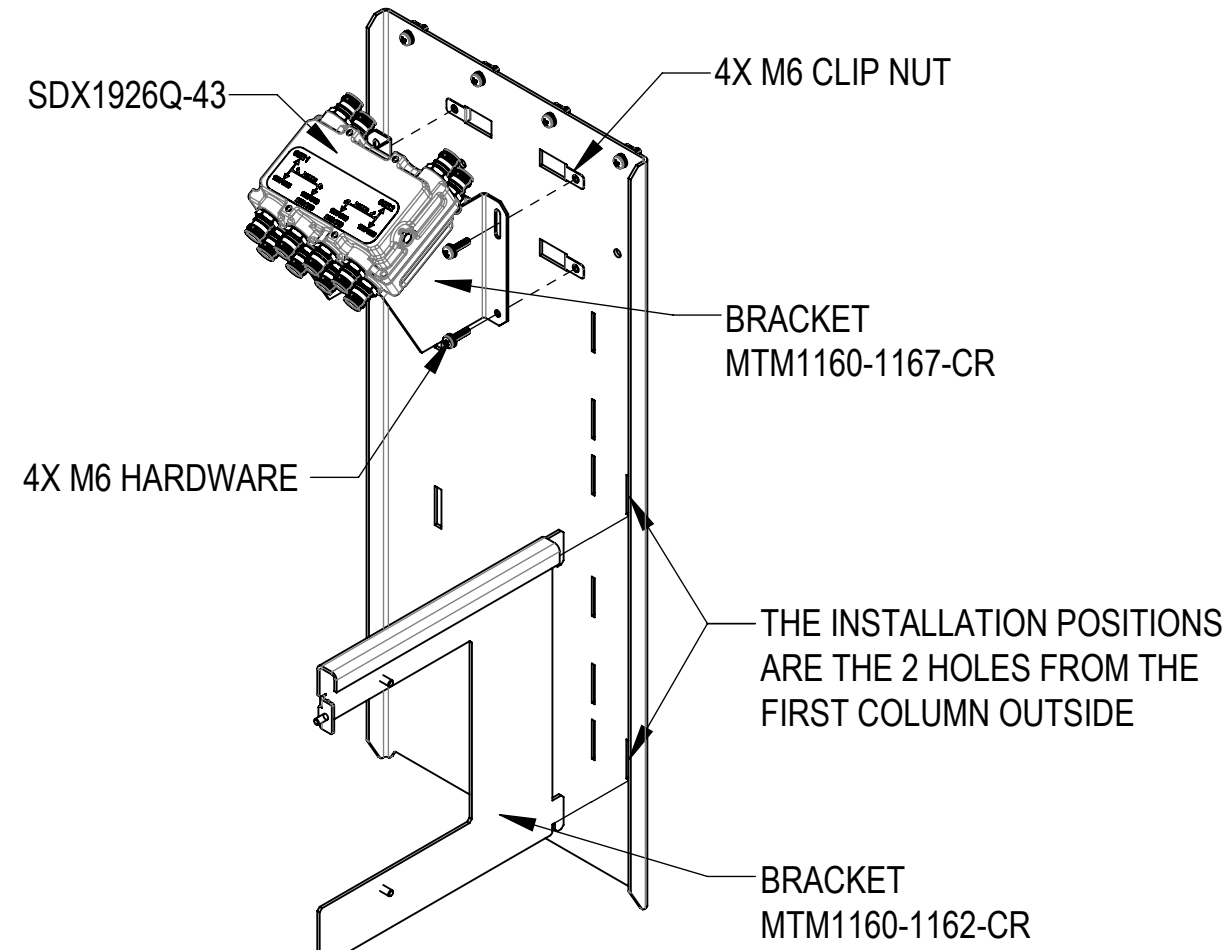
TORQUE ALL TO SPEC

COMMScope, INC. OF NORTH CAROLINA				
TITLE KIT ERICSSON INSTALL INTO PB20GA-0.375				
SIZE C	SCALE 1:10	DOCUMENT NO. MTM1193-1101-AMK-E		
		DRAWING		SHEET
		VERSION 01	STATUS RE	REVISION B
				3 OF 11



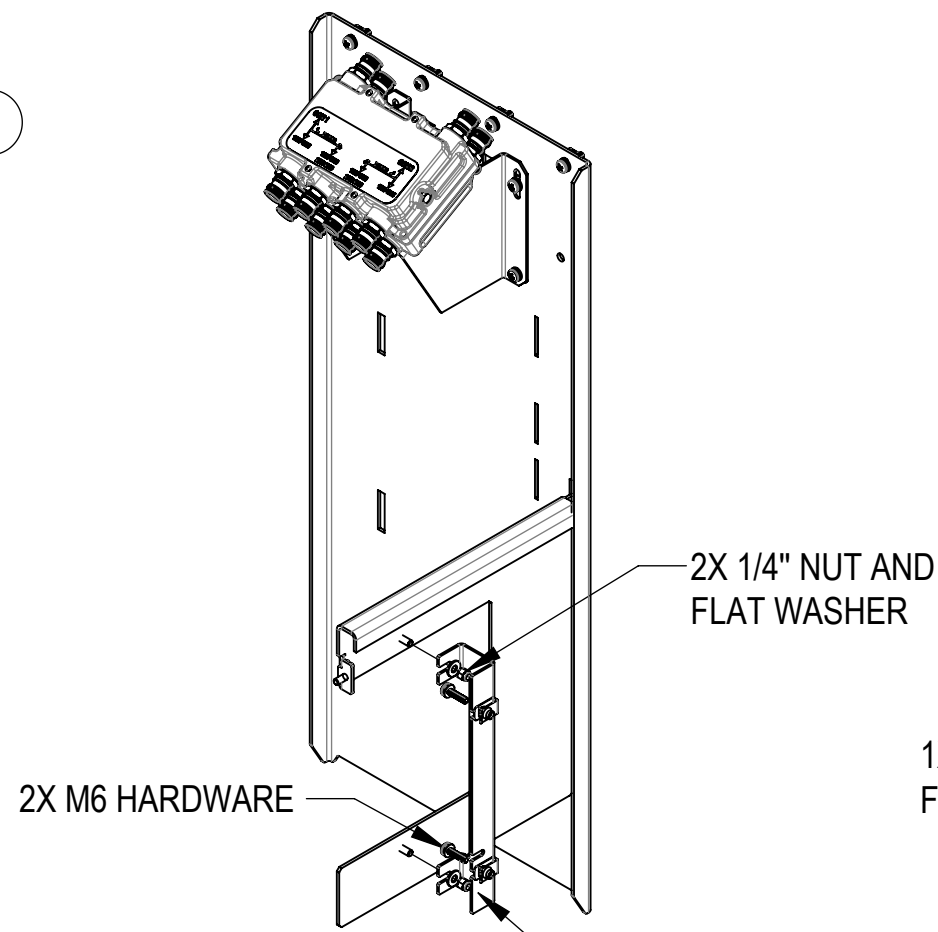
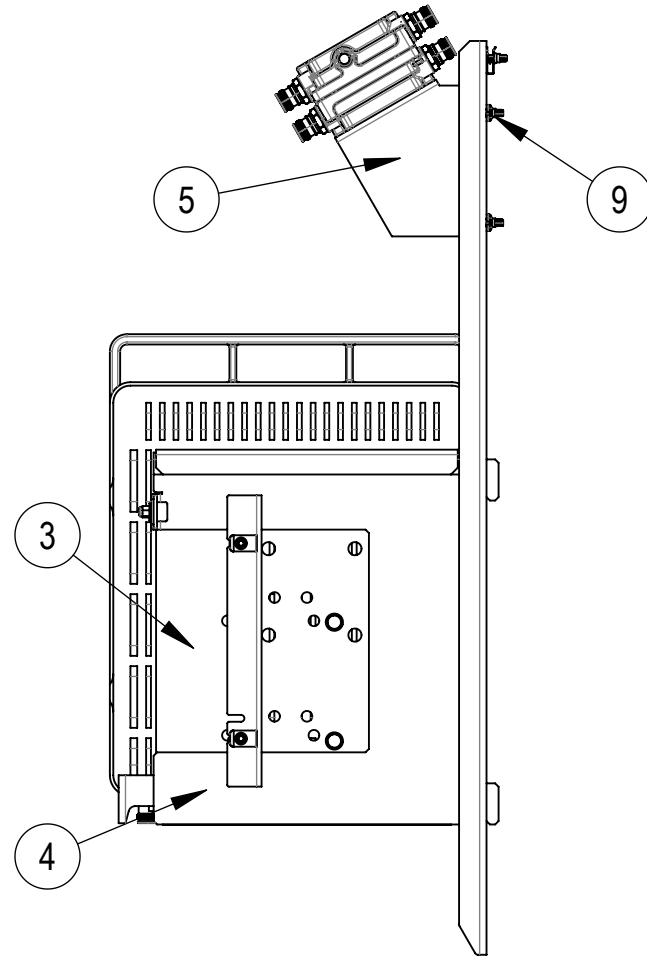
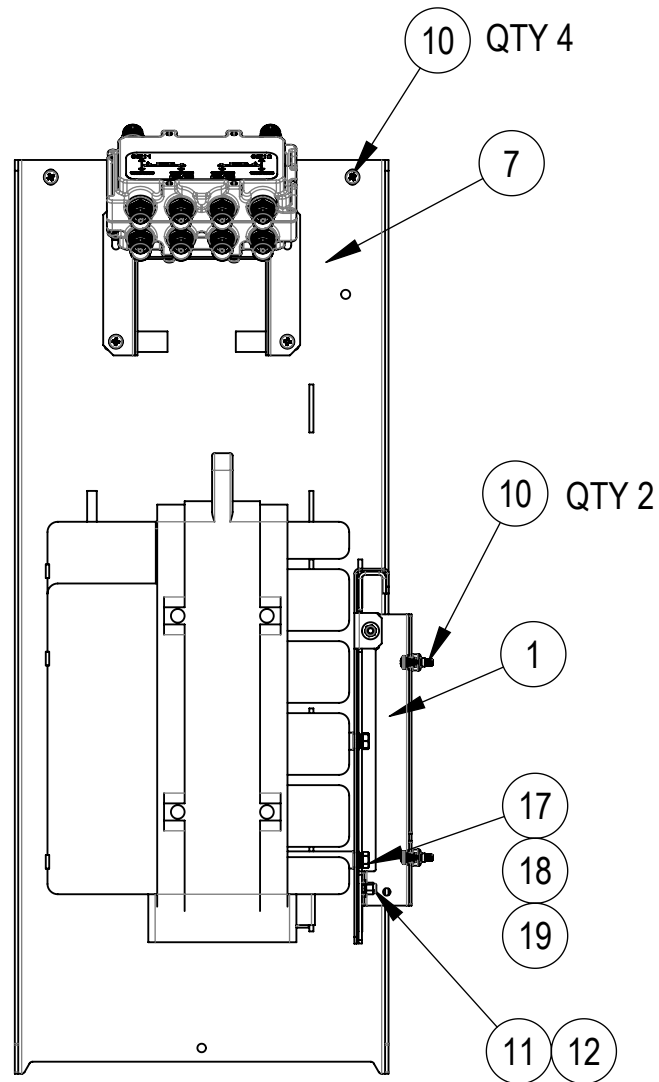
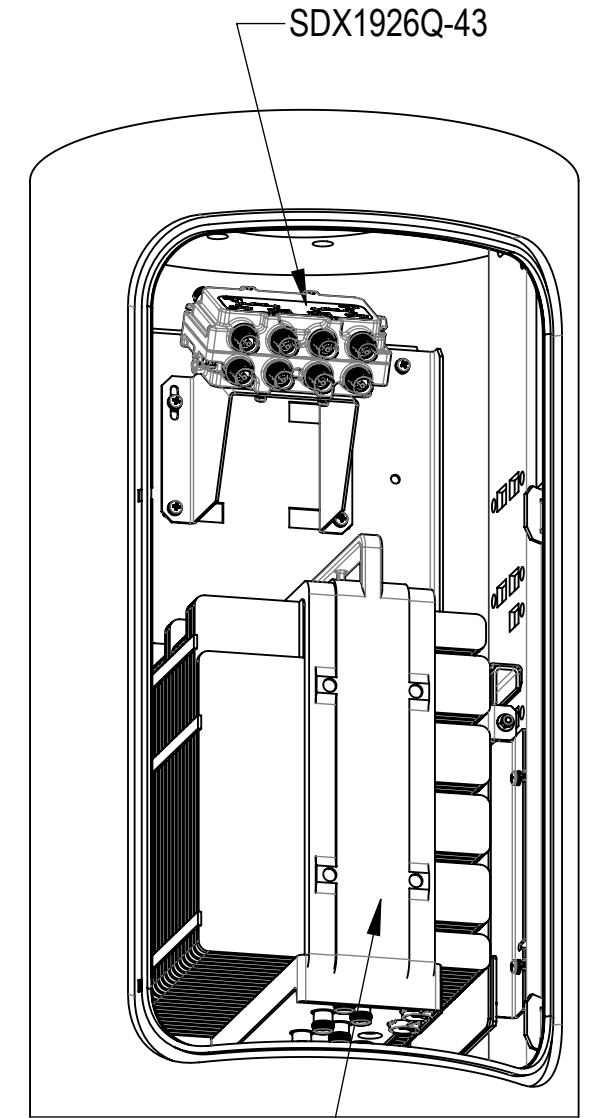
STEP 1 :
MTM1160-1169-CR

1. INSTALL THE MOUNTING BRACKET MTM1160-1169-CR TO BRACKET OF ASSEMBLY USING 4 SETS OF M6 SEMS SCREWS AND CLIP NUTS



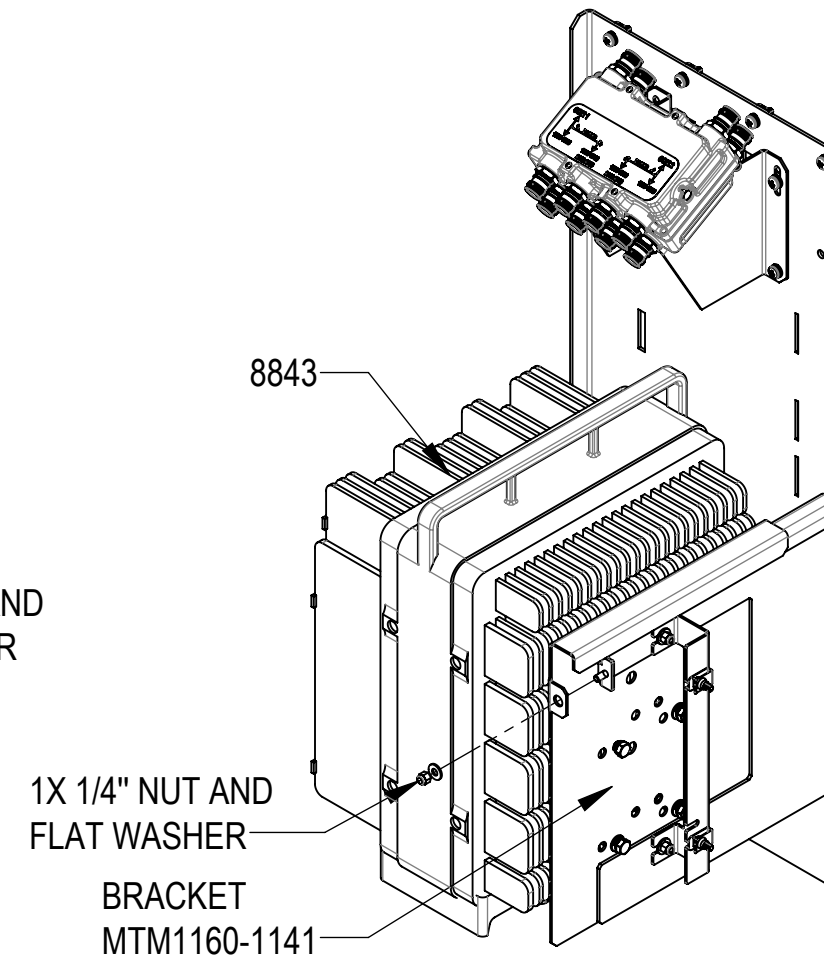
STEP 2 :
MTM1160-1167-CR(SDX1926Q-43) + MTM1160-1162-CR

1. INSTALL M6 CLIP NUTS AS SHOWN
2. INSTALL THE MOUNTING BRACKET MTM1160-1167-CR TO THE MOUNTING BRACKET MTM1160-1169-CR USING 4 SETS OF SEMS SCREWS.
3. HANG THE MOUNTING BRACKET MTM1160-1162-CR TO THE 2 HOLES FROM THE FIRST COLUMN OUTSIDE OF THE MOUNTING BRACKET MTM1160-1169-CR



STEP 3 :
MTM1193-1111-CR

1. INSTALL ONE SIDE OF THE MOUNTING BRACKET MTM1193-1111-CR TO BRACKET OF ASSEMBLY USING 2 SETS OF M6 SEMS SCREWS, CLIP NUTS AND THE OTHER SIDE(AVOIDED SLOT) TO THE MOUNTING BRACKET MTM1160-1162-CR USING 2 SETS OF 1/4\"/>



STEP 4 :
MTM1160-1141-CR(8843)

1. HANG THE MOUNTING BRACKET MTM1160-1141-CR TO THE MOUNTING BRACKET MTM1160-1162-CR AND LOCK THE SIDE USING 1 SET OF 1/4\"/>

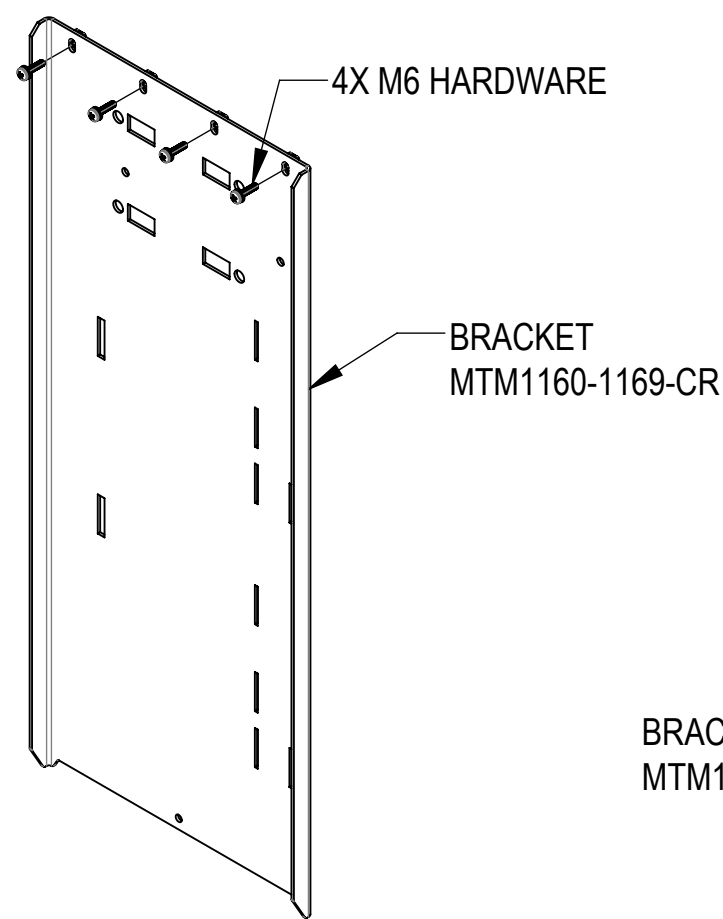
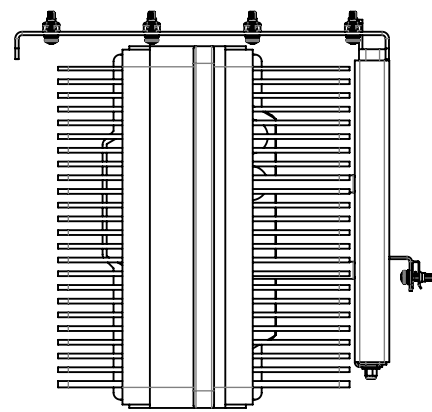
BOM FOR 8843 + QUAD DIPLEXER SDX1926Q-43 INSTALLATION

ITEM NO.	PART NUMBER	DESCRIPTION	QTY.
1	MTM1193-1111-CR	BRKT SM SPRT 4 HOOK & HANG PB20GA-0.375	1
3	MTM1160-1141-CR	BRKT SLIDE HANGER ERICSON PB20GA	1
4	MTM1160-1162-CR	BRACKET, HANGING RAIL MOVEABLE PB20GA	1
5	MTM1160-1167-CR	BRKT DIPLEX MNTG TOP/ANGLE PB20GA	1
7	MTM1160-1169-CR	BRKT MAIN HK & HANG REAR PLT PB20GA	1
9	460143456	CLIP NUT, M6, 316 SST	4
10	100117-4	FA,SEMS,PH,XRES,M6X25,SST,PASS	10
11	SNYL02	1/4\"/>	
12	SWF-02	FLAT WASHER, 1/4\"/>	
17	MTC9415	M8 X 25mm HEX BOLT SS	4
18	MTC9418	M8 LOCK WASHER SS	4
19	MTC9419	M8 FLAT WASHER SS	4

E2: 8843 + QUAD DIPLEXER SDX1926Q-43 INSTALLATION

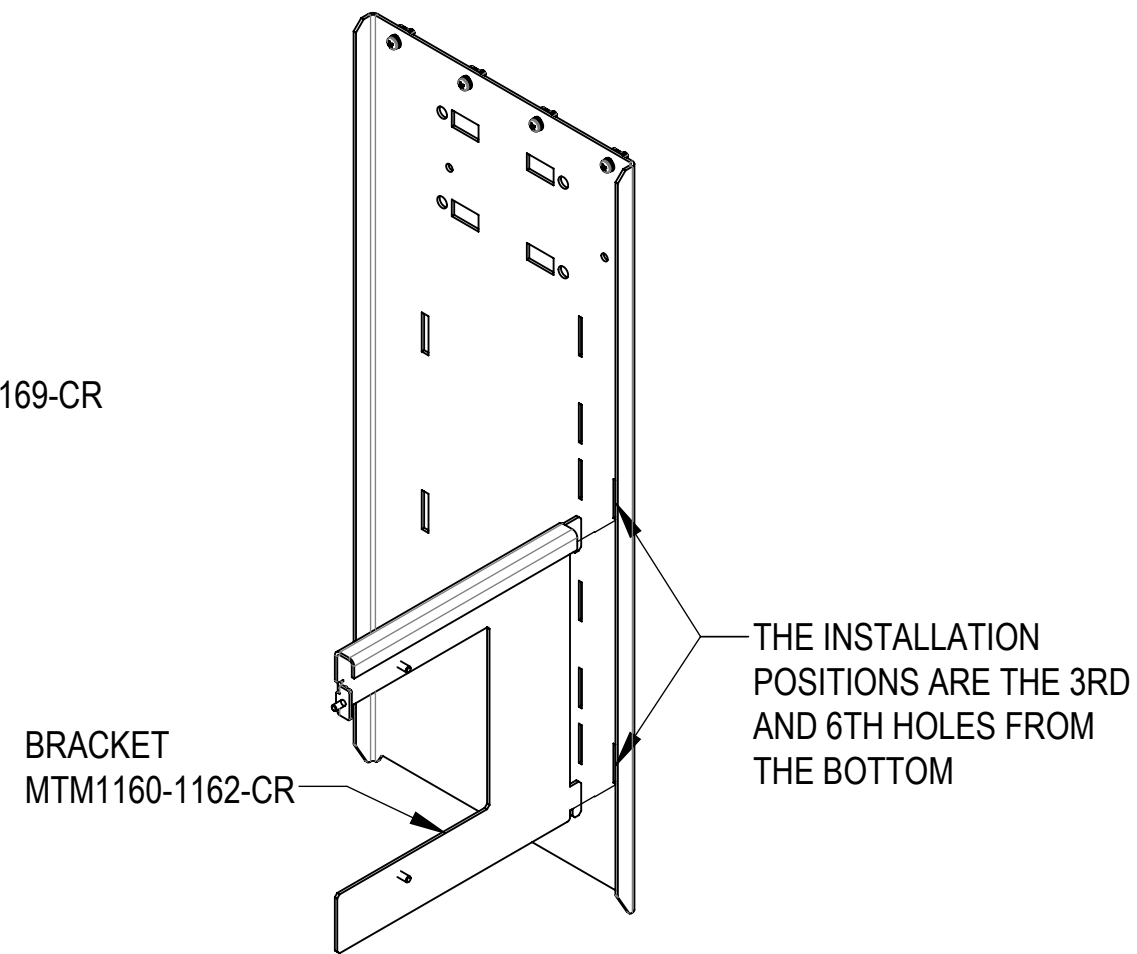
EQUIPMENT INSTALLATION SEE SHEET 3
TORQUE ALL TO SPEC

COMMScope, INC. OF NORTH CAROLINA				
TITLE KIT ERICSSON INSTALL INTO PB20GA-0.375				
SIZE C	SCALE 1:10	DOCUMENT NO. MTM1193-1101-AMK-E		
DRAWING		VERSION	STATUS	REVISION
		01	RE	B
				SHEET 4 OF 11



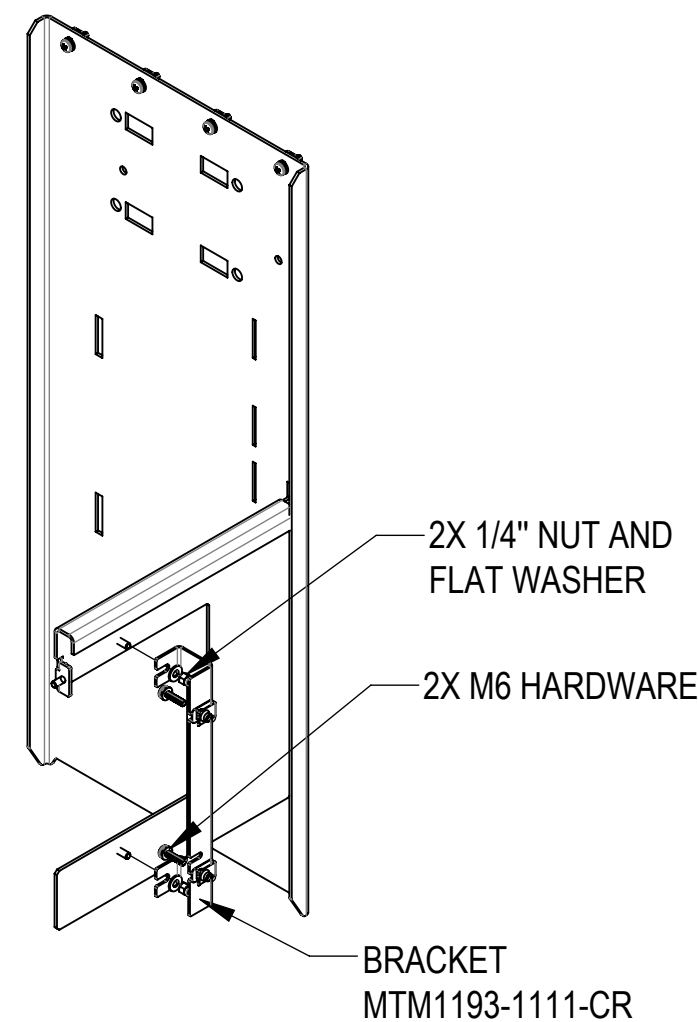
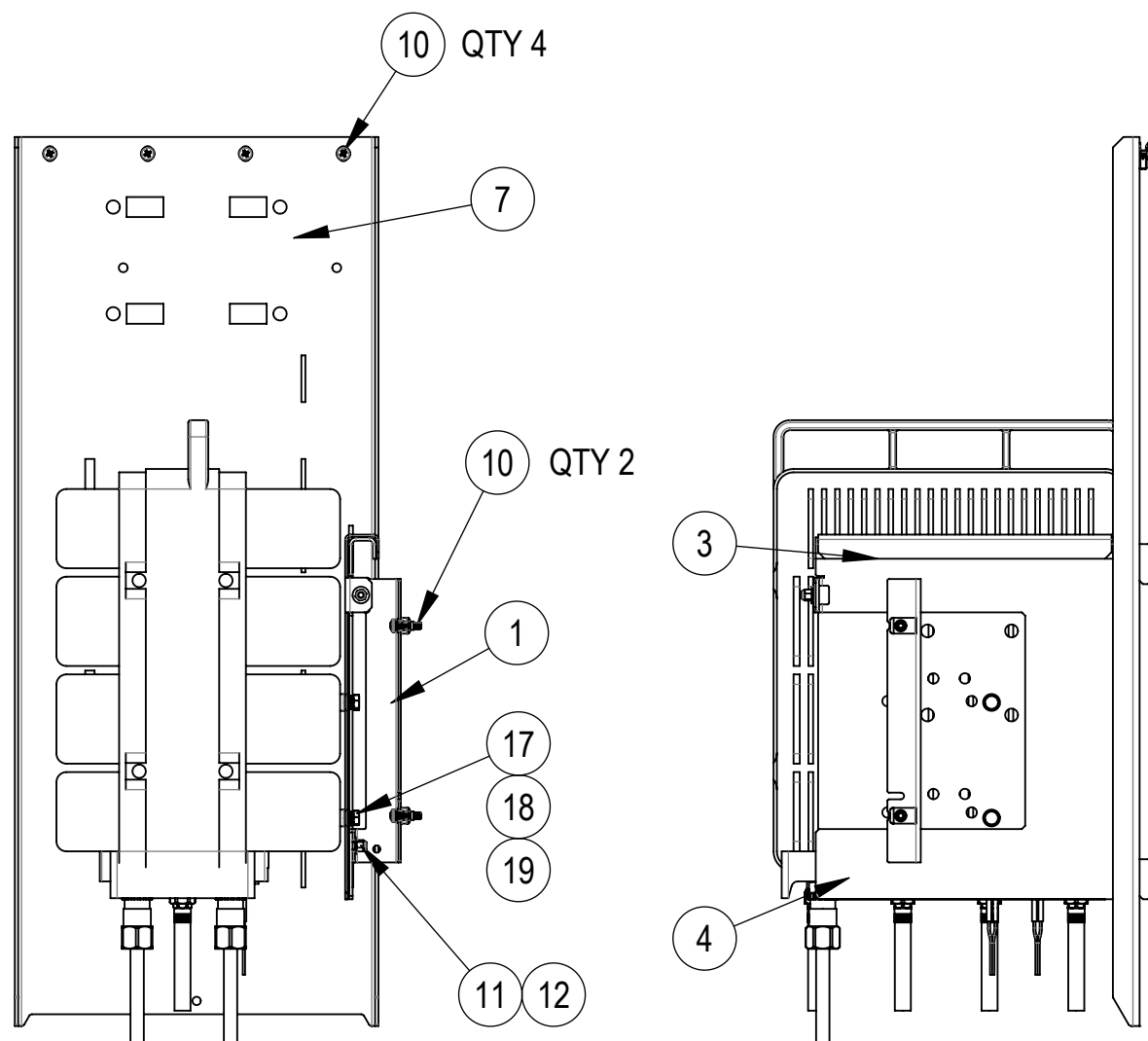
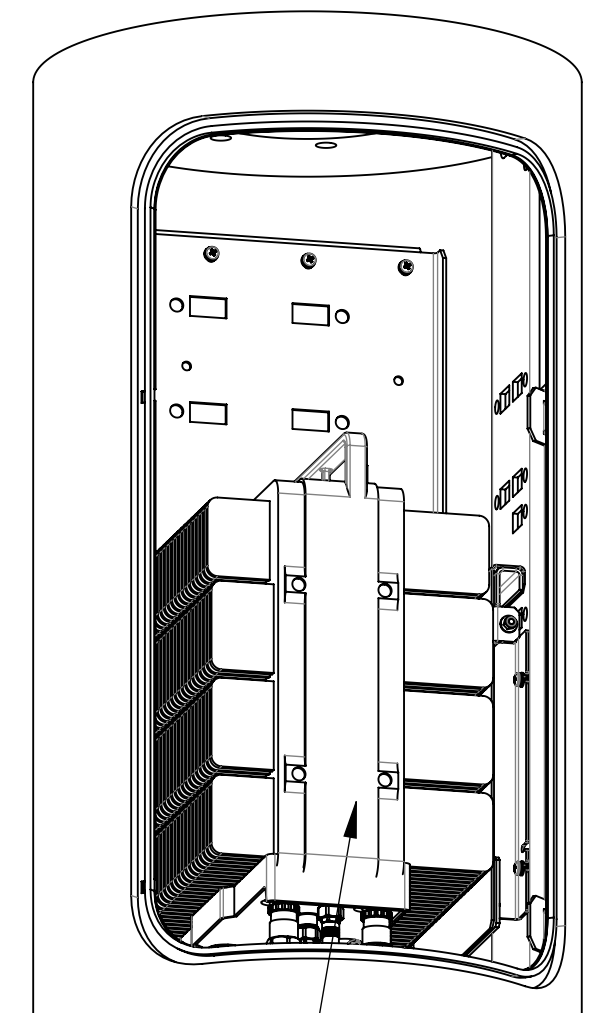
STEP 1 :
MTM1160-1169-CR

1. INSTALL M6 CLIP NUTS AS SHOWN
2. INSTALL THE MOUNTING BRACKET MTM1160-1169-CR TO BRACKET OF ASSEMBLY USING 4 SETS OF M6 SEMS SCREWS AND CLIP NUTS



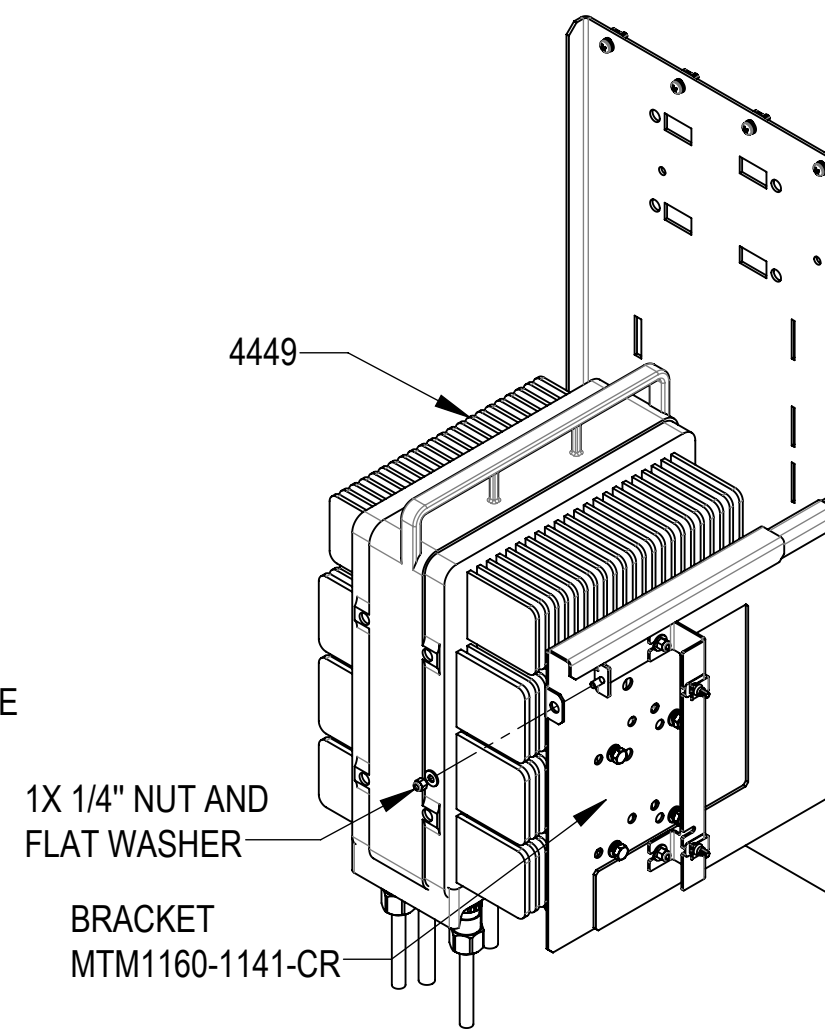
STEP 2 :
MTM1160-1162-CR

1. HANG THE MOUNTING BRACKET MTM1160-1162-CR TO THE 3RD AND 6TH HOLES FROM THE BOTTOM OF THE MOUNTING BRACKET MTM1160-1169-CR



STEP 3 :
MTM1193-1111-CR

1. INSTALL ONE SIDE OF THE MOUNTING BRACKET MTM1193-1111-CR TO BRACKET OF ASSEMBLY USING 2 SETS OF M6 SEMS SCREWS, CLIP NUTS AND THE OTHER SIDE(AVOIDED SLOT) TO THE MOUNTING BRACKET MTM1160-1162-CR USING 2 SETS OF 1/4\"/>



STEP 4 :
MTM1160-1141-CR(ERC 4449)

1. HANG THE MOUNTING BRACKET MTM1160-1141-CR TO THE MOUNTING BRACKET MTM1160-1162-CR AND LOCK THE SIDE USING 1 SET OF 1/4\"/>

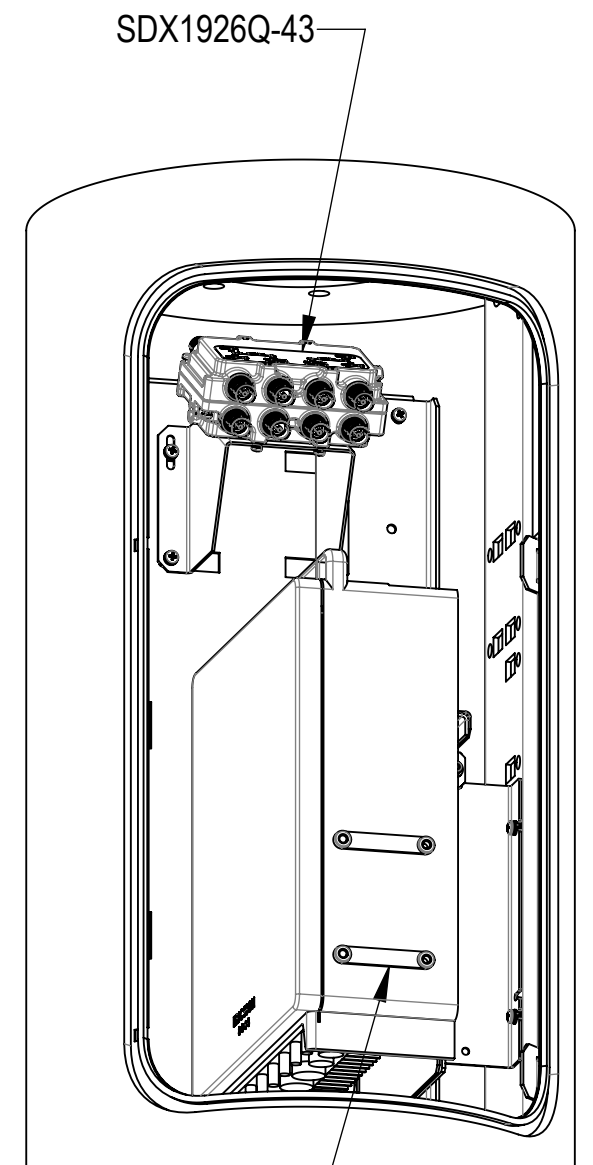
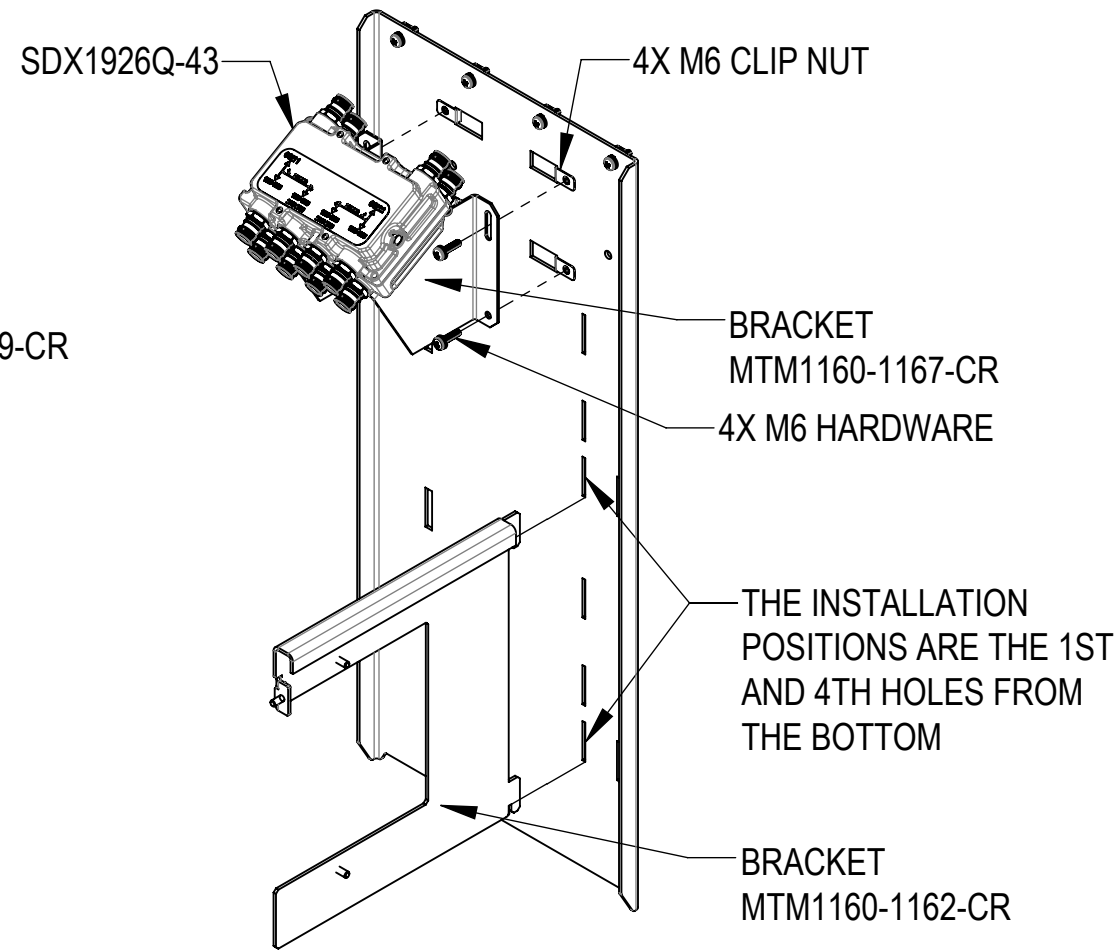
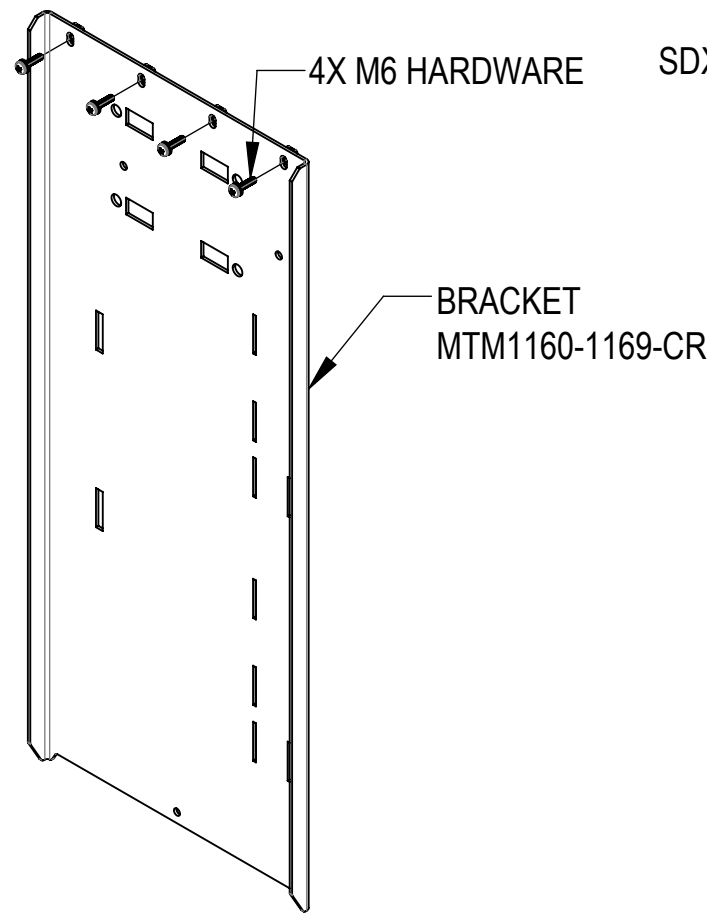
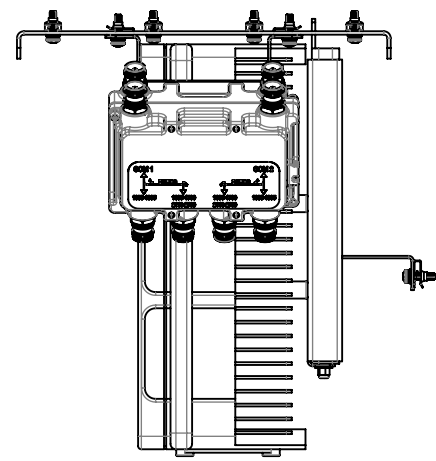
BOM FOR 4449 INSTALLATION

ITEM NO.	PART NUMBER	DESCRIPTION	QTY.
1	MTM1193-1111-CR	BRKT SM SPRT 4 HOOK & HANG PB20GA-0.375	1
3	MTM1160-1141-CR	BRKT SLIDE HANGER ERICSON PB20GA	1
4	MTM1160-1162-CR	BRACKET, HANGING RAIL MOVEABLE PB20GA	1
7	MTM1160-1169-CR	BRKT MAIN HK & HANG REAR PLT PB20GA	1
10	100117-4	FA,SEMS,PH,XRES,M6X25,SST,PASS	6
11	SNYL02	1/4\"/>	
12	SWF-02	FLAT WASHER, 1/4\"/>	
17	MTC9415	M8 X 25mm HEX BOLT SS	4
18	MTC9418	M8 LOCK WASHER SS	4
19	MTC9419	M8 FLAT WASHER SS	4

E3: 4449 INSTALLATION

EQUIPMENT INSTALLATION SEE SHEET 3
TORQUE ALL TO SPEC

COMMSCOPE, INC. OF NORTH CAROLINA				
TITLE KIT ERICSSON INSTALL INTO PB20GA-0.375				
SIZE C	SCALE 1:10	DOCUMENT NO. MTM1193-1101-AMK-E		
DRAWING		VERSION	STATUS	REVISION
		01	RE	B
				SHEET 5 OF 11

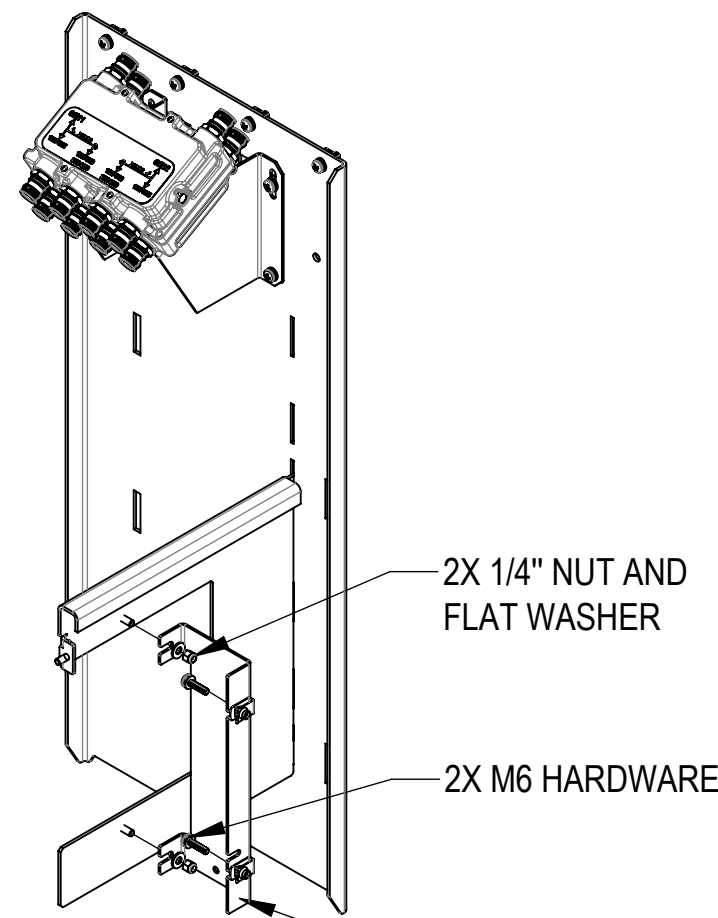
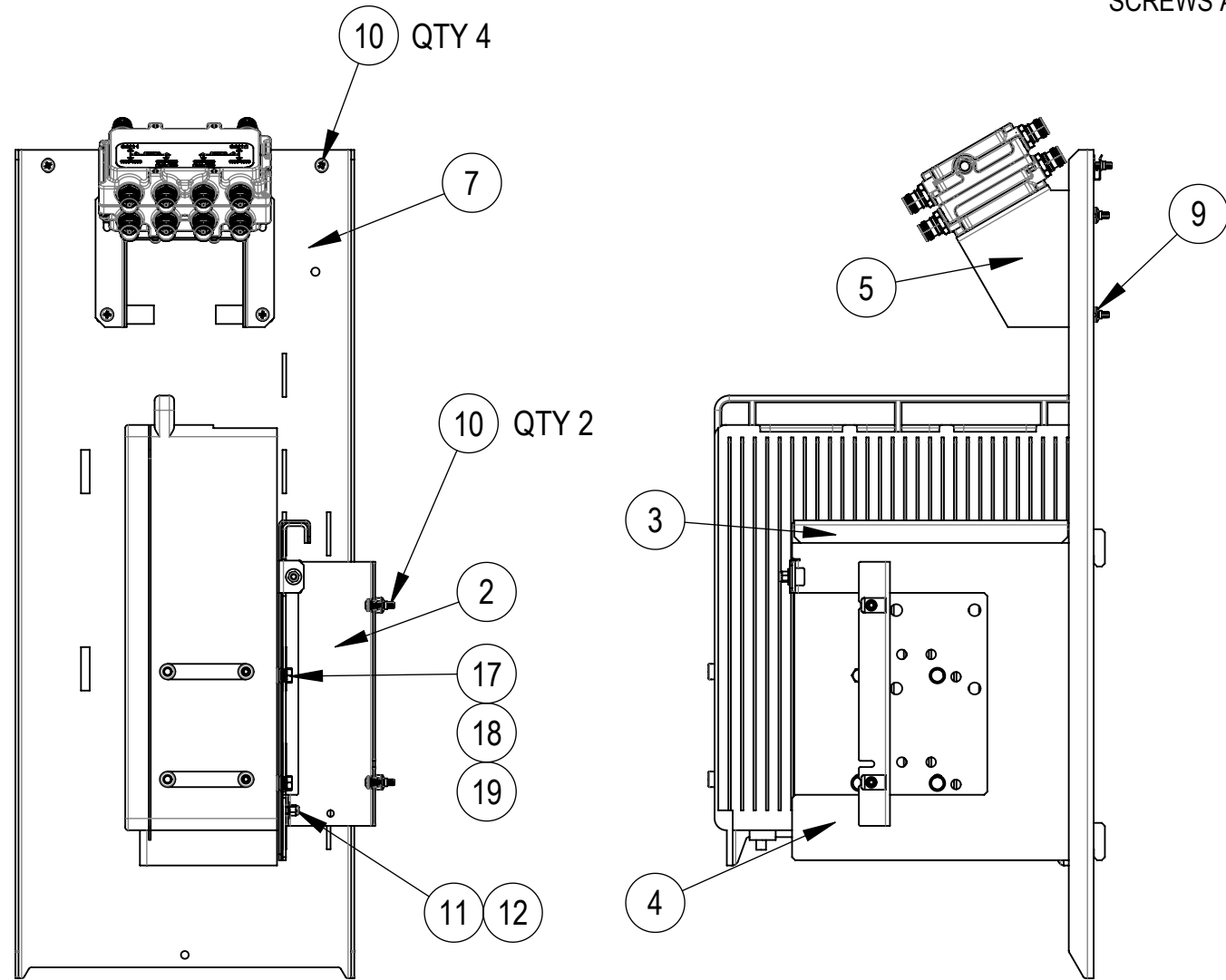


STEP 1 :
MTM1160-1169-CR

1. INSTALL THE MOUNTING BRACKET MTM1160-1169-CR TO BRACKET OF ASSEMBLY USING 4 SETS OF M6 SEMS SCREWS AND CLIP NUTS

STEP 2 :
MTM1160-1167-CR(SDX1926Q-43) + MTM1160-1162-CR

1. INSTALL M6 CLIP NUTS AS SHOWN
2. INSTALL THE MOUNTING BRACKET MTM1160-1167-CR TO THE MOUNTING BRACKET MTM1160-1169-CR USING 4 SETS OF M6 SEMS SCREWS.
3. HANG THE MOUNTING BRACKET MTM1160-1162-CR TO THE 1ST AND 4TH HOLES FROM THE BOTTOM OF THE MOUNTING BRACKET MTM1160-1169-CR



STEP 3 :
MTM1193-1112-CR

1. INSTALL ONE SIDE OF THE MOUNTING BRACKET MTM1193-1112-CR TO BRACKET OF ASSEMBLY USING 2 SETS OF M6 SEMS SCREWS, CLIP NUTS AND THE OTHER SIDE(AVOIDED SLOT) TO THE MOUNTING BRACKET MTM1160-1162-CR USING 2 SETS OF 1/4" NUTS, FLAT WASHERS

STEP 4 :
MTM1160-1141-CR(8863)

1. HANG THE MOUNTING BRACKET MTM1160-1141-CR TO THE MOUNTING BRACKET MTM1160-1162-CR AND LOCK THE SIDE USING 1 SET OF 1/4" NUT AND FLAT WASHER

BOM FOR 8863 + QUAD DIPLEXER SDX1926Q-43 INSTALLATION

ITEM NO.	PART NUMBER	DESCRIPTION	QTY.
2	MTM1193-1112-CR	BRKT LG SPRT 4 HOOK & HANG PB20GA-0.375	1
3	MTM1160-1141-CR	BRKKT SLIDE HANGER ERICSON PB20GA	1
4	MTM1160-1162-CR	BRACKET, HANGING RAIL MOVEABLE PB20GA	1
5	MTM1160-1167-CR	BRKKT DIPLEX MNTG TOP/ANGLE PB20GA	1
7	MTM1160-1169-CR	BRKT MAIN HK & HANG REAR PLT PB20GA	1
9	460143456	CLIP NUT, M6, 316 SST	4
10	100117-4	FA,SEMS,PH,XRES,M6X25,SST,PASS	10
11	SNYL02	1/4" SS NYLOCK HEX NUT	3
12	SWF-02	FLAT WASHER, 1/4" SS	3
17	MTC9415	M8 X 25mm HEX BOLT SS	4
18	MTC9418	M8 LOCK WASHER SS	4
19	MTC9419	M8 FLAT WASHER SS	4

E4: 8863 + QUAD DIPLEXER SDX1926Q-43 INSTALLATION

EQUIPMENT INSTALLATION SEE SHEET 3
TORQUE ALL TO SPEC

COMMScope, INC. OF NORTH CAROLINA

TITLE				
KIT ERICSSON INSTALL INTO PB20GA-0.375				
SIZE	SCALE	DOCUMENT NO.		
C	1:10	MTM1193-1101-AMK-E		
DRAWING				SHEET
VERSION	STATUS	REVISION	6 OF 11	
01	RE	B		

D

D

C

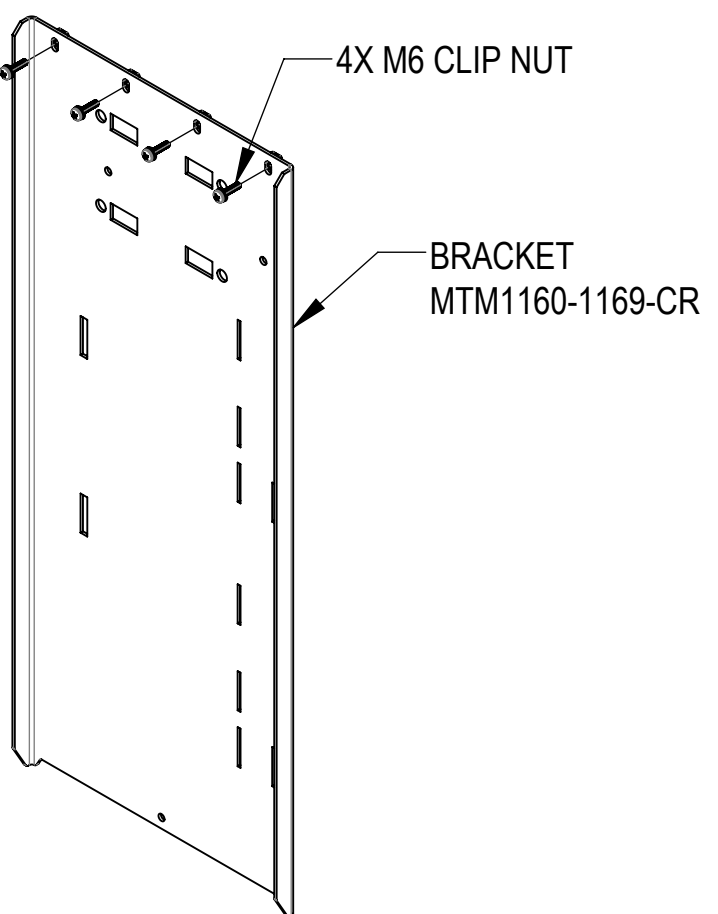
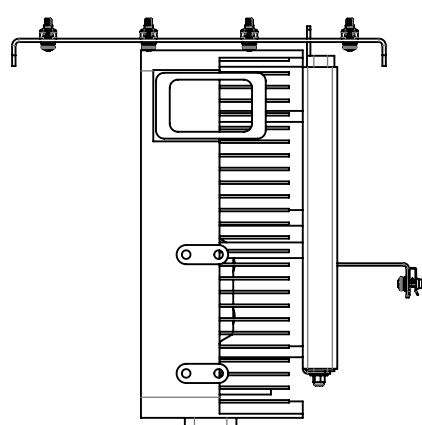
C

B

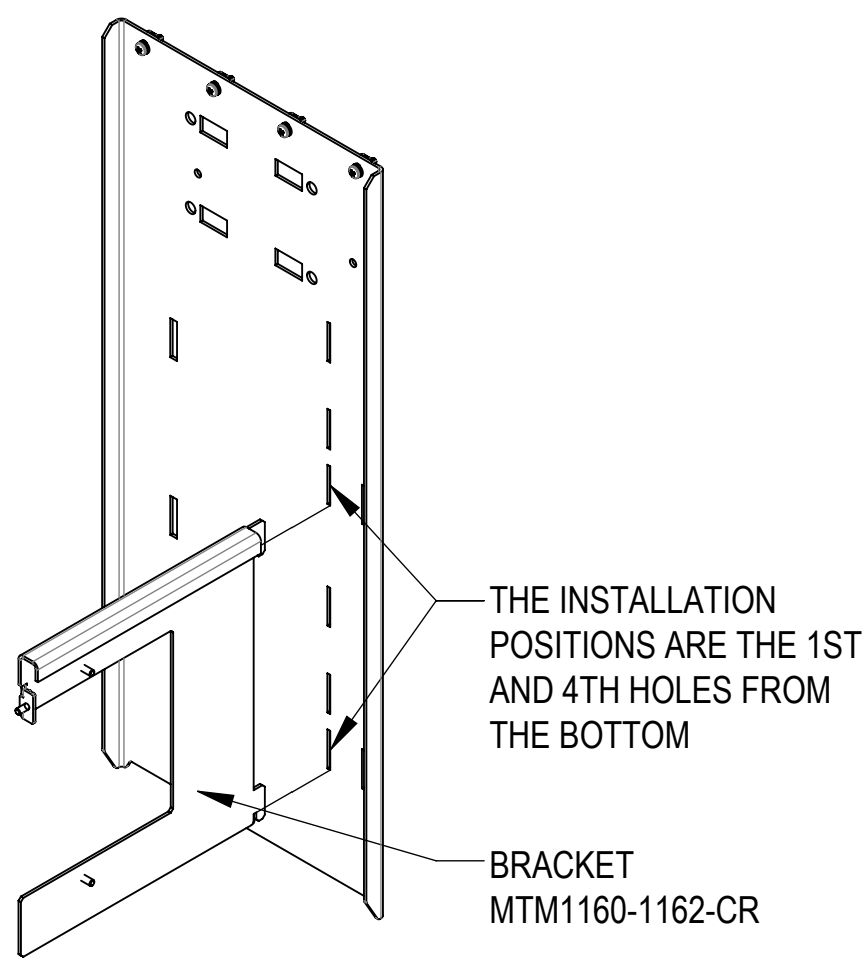
B

A

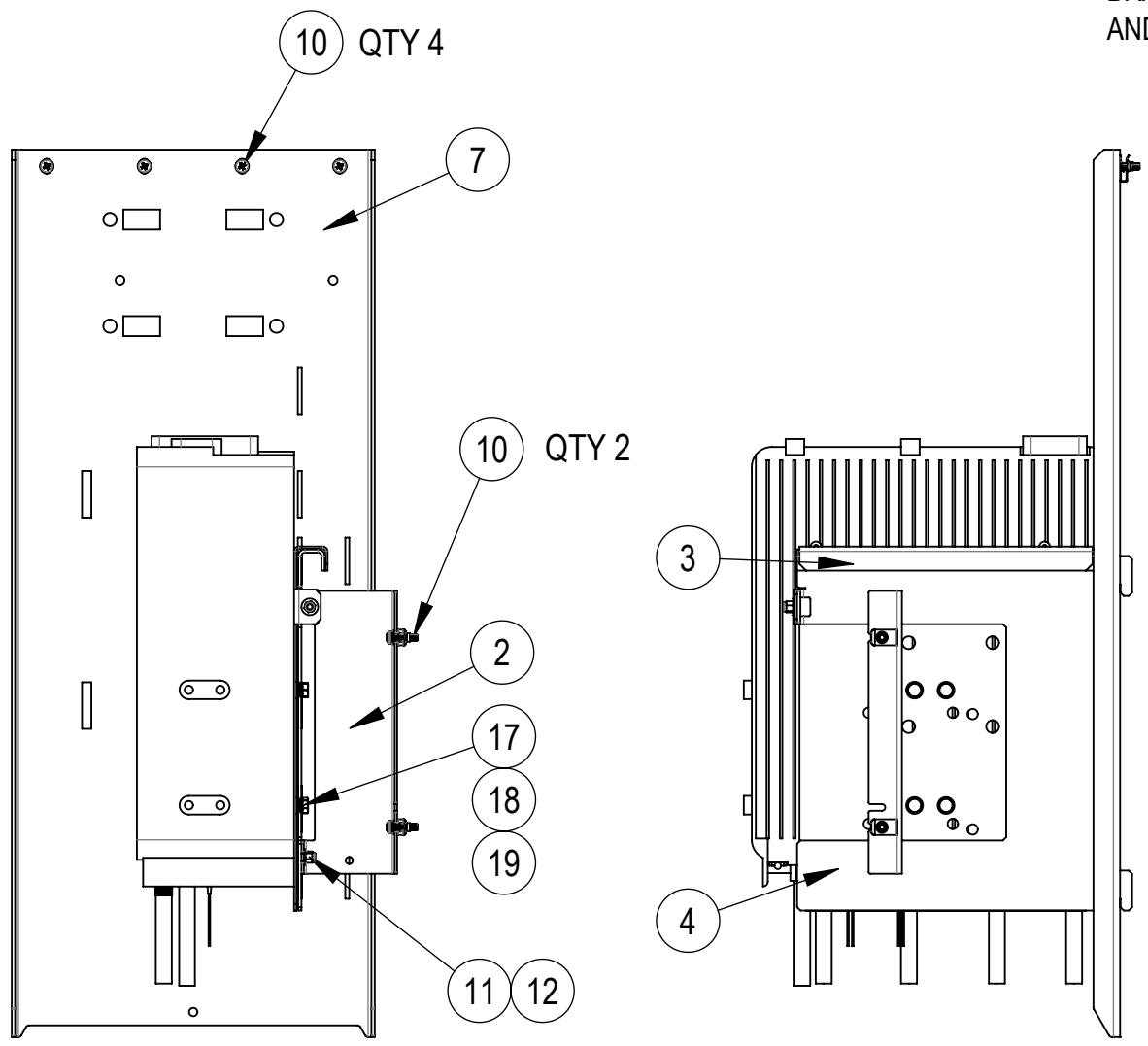
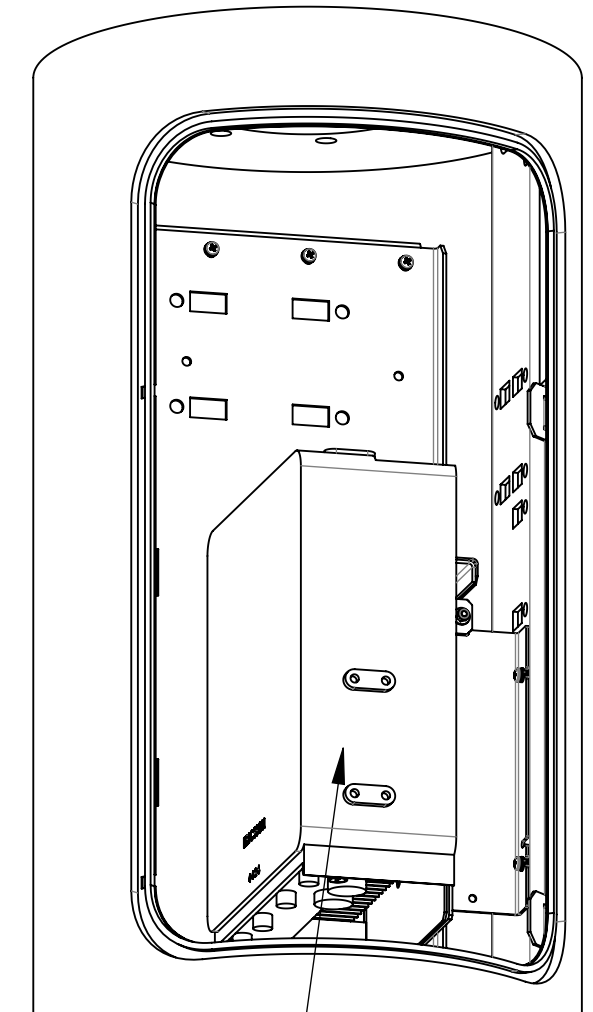
A



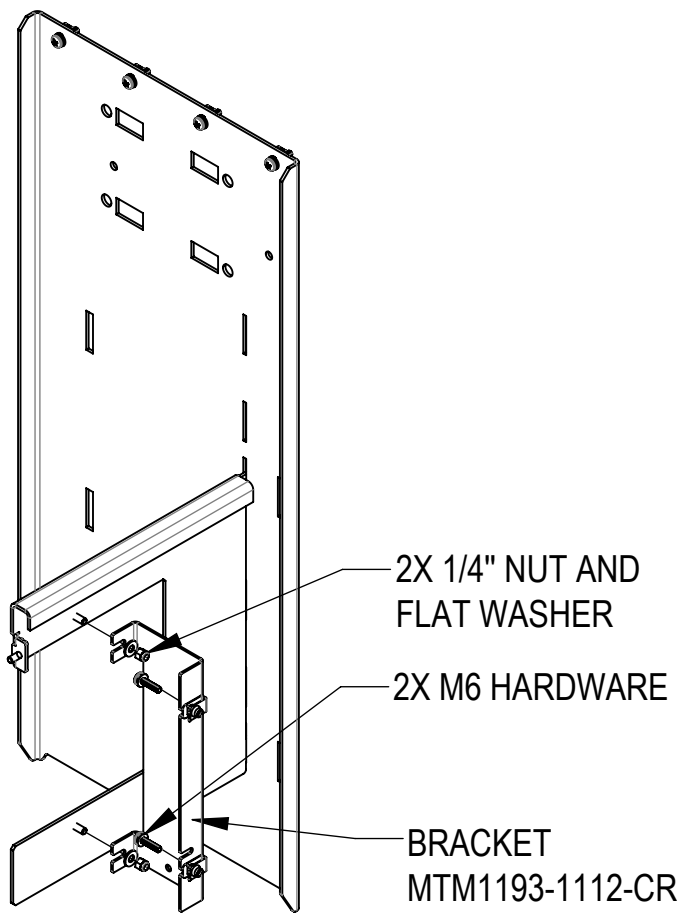
STEP 1 :
MTM1160-1169-CR
 INSTALL THE MOUNTING BRACKET MTM1160-1169-CR TO BRACKET OF ASSEMBLY USING 4 SETS OF M6 SEMS SCREWS AND CLIP NUTS



STEP 2 :
MTM1160-1162-CR
 1. HANG THE MOUNTING BRACKET MTM1160-1162-CR TO THE 1ST AND 4TH HOLES FROM THE BOTTOM OF THE MOUNTING BRACKET MTM1160-1169-CR



STEP 3 :
MTM1193-1112-CR
 1. INSTALL ONE SIDE OF THE MOUNTING BRACKET MTM1193-1112-CR TO BRACKET OF ASSEMBLY USING 2 SETS OF M6 SEMS SCREWS, CLIP NUTS AND THE OTHER SIDE(AVOIDED SLOT) TO THE MOUNTING BRACKET MTM1160-1162-CR USING 2 SETS OF 1/4" NUTS, FLAT WASHERS



STEP 4 :
MTM1160-1141-CR(4415)
 1. HANG THE MOUNTING BRACKET MTM1160-1141-CR TO THE MOUNTING BRACKET MTM1160-1162-CR AND LOCK THE SIDE USING 1 SET OF 1/4" NUT AND FLAT WASHER

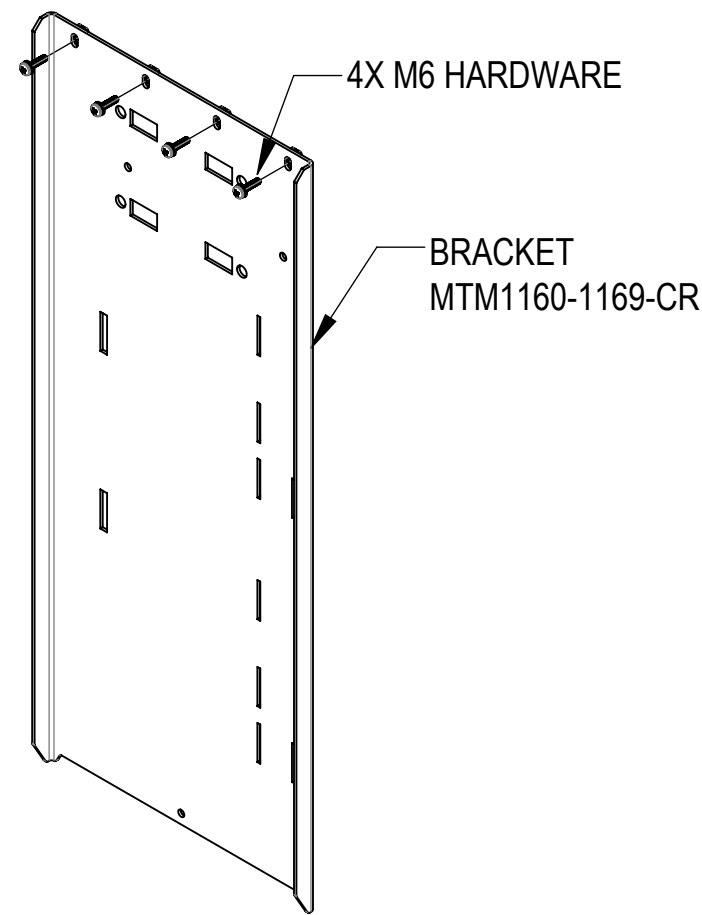
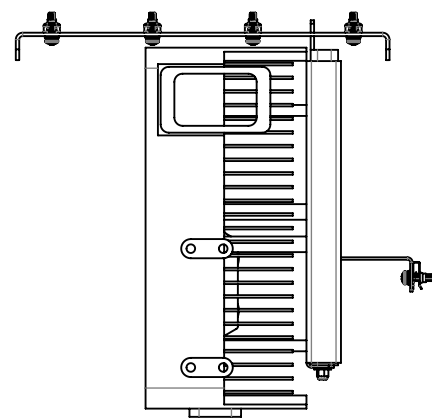
BOM FOR 4415 INSTALLATION

ITEM NO.	PART NUMBER	DESCRIPTION	QTY.
2	MTM1193-1112-CR	BRKT LG SPRT 4 HOOK & HANG PB20GA-0.375	1
3	MTM1160-1141-CR	BRKT SLIDE HANGER ERCISON PB20GA	1
4	MTM1160-1162-CR	BRACKET, HANGING RAIL MOVEABLE PB20GA	1
7	MTM1160-1169-CR	BRKT MAIN HK & HANG REAR PLT PB20GA	1
10	100117-4	FA,SEMS,PH,XRES,M6X25,SST,PASS	6
11	SNYL02	1/4" SS NYLOCK HEX NUT	3
12	SWF-02	FLAT WASHER, 1/4" SS	3
17	MTC9415	M8 X 25mm HEX BOLT SS	4
18	MTC9418	M8 LOCK WASHER SS	4
19	MTC9419	M8 FLAT WASHER SS	4

E5: 4415 INSTALLATION

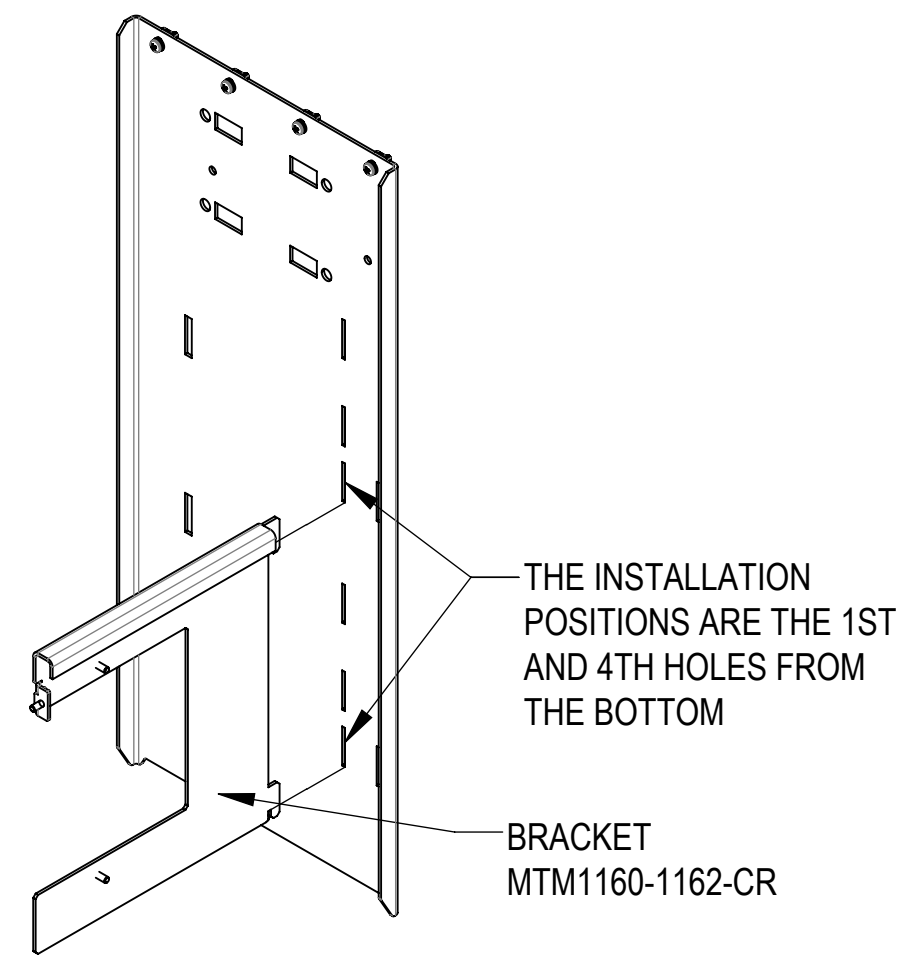
EQUIPMENT INSTALLATION SEE SHEET 3
 TORQUE ALL TO SPEC

COMMSCOPE, INC. OF NORTH CAROLINA				
TITLE KIT ERICSSON INSTALL INTO PB20GA-0.375				
SIZE C	SCALE 1:10	DOCUMENT NO. MTM1193-1101-AMK-E		
DRAWING		VERSION	STATUS	REVISION
		01	RE	B
				SHEET 7 OF 11



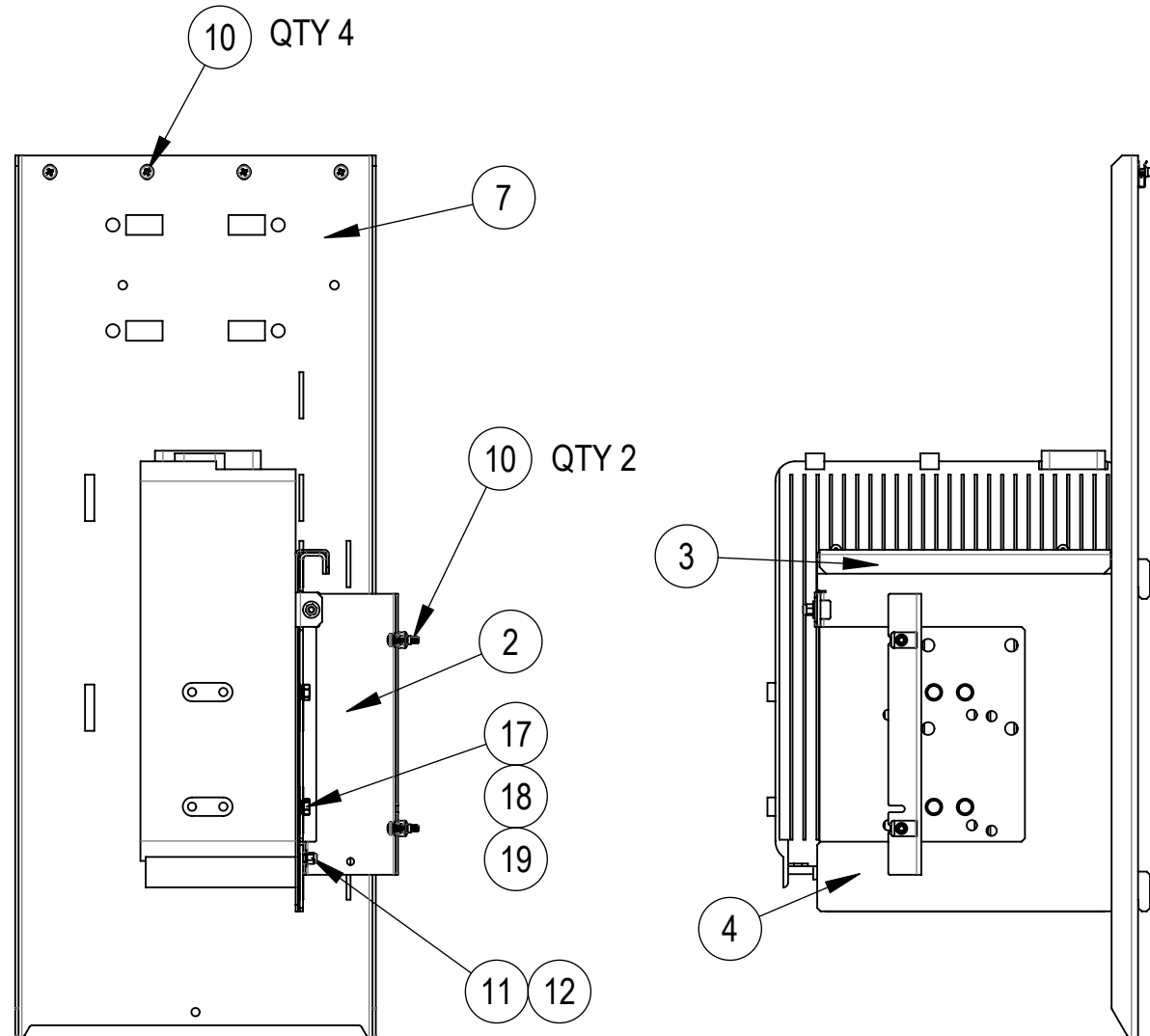
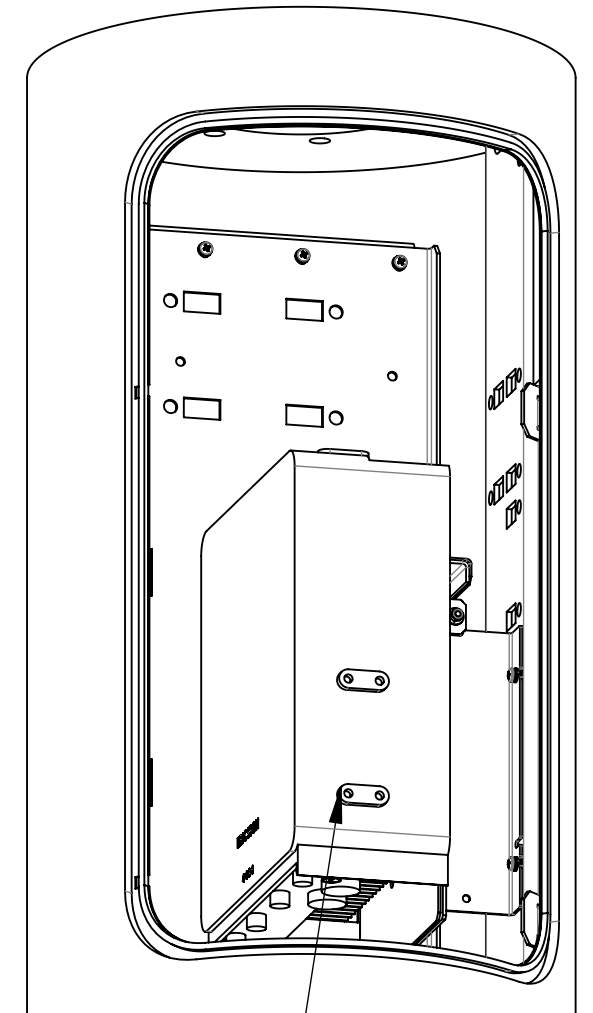
STEP 1 :
MTM1160-1169-CR

1. INSTALL THE MOUNTING BRACKET MTM1160-1169-CR TO BRACKET OF ASSEMBLY USING 4 SETS OF M6 SEMS SCREWS AND CLIP NUTS



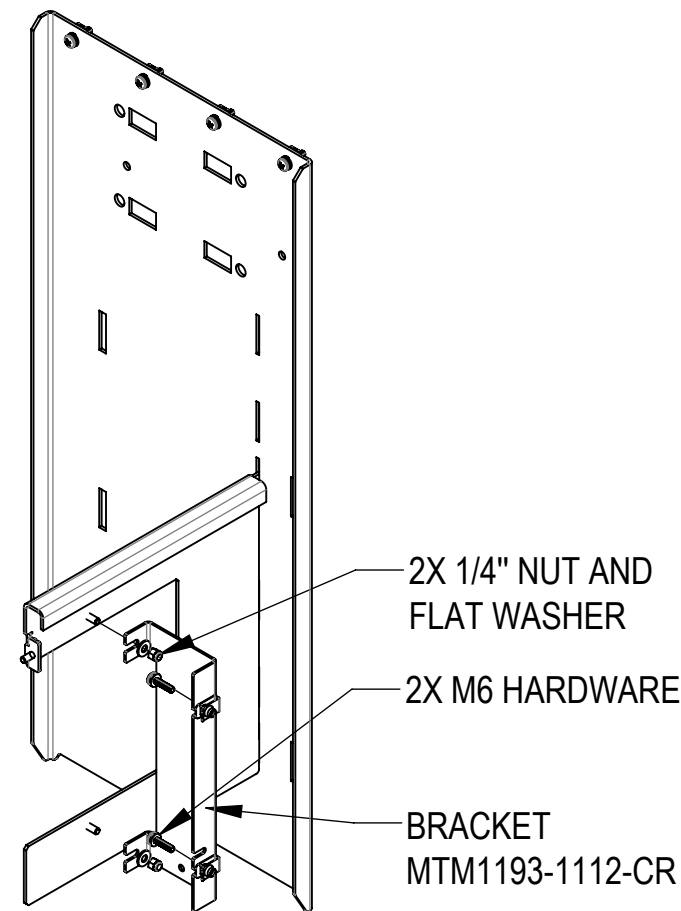
STEP 2 :
MTM1160-1162-CR

1. HANG THE MOUNTING BRACKET MTM1160-1162-CR TO THE 1ST AND 4TH HOLES FROM THE BOTTOM OF THE MOUNTING BRACKET MTM1160-1169-CR



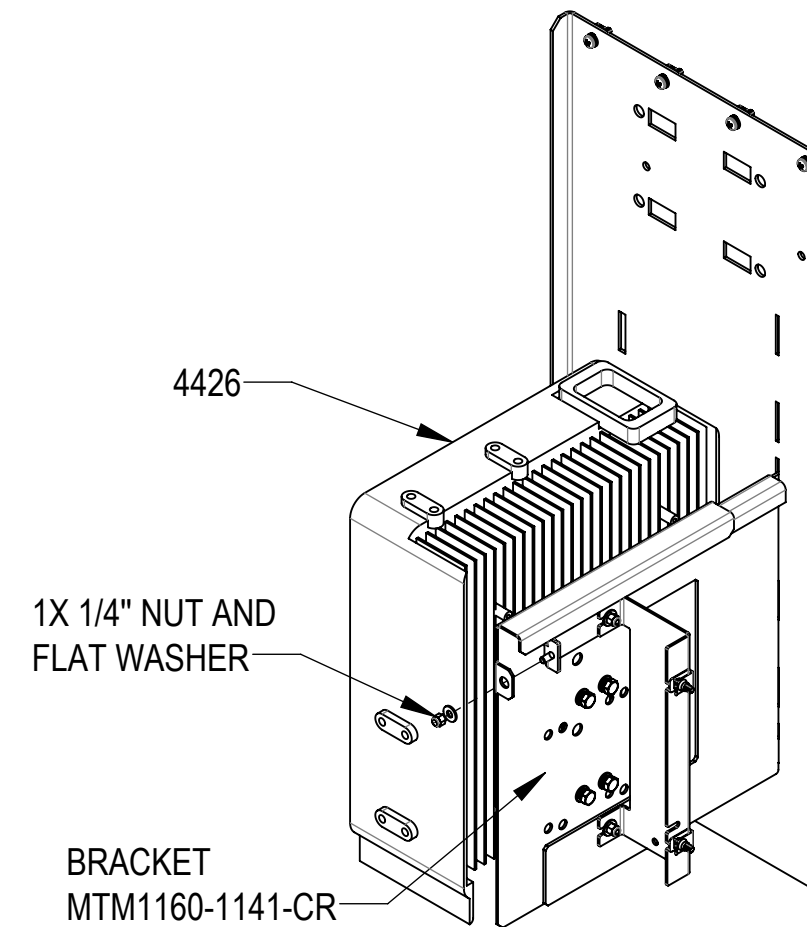
BOM FOR 4426 INSTALLATION

ITEM NO.	PART NUMBER	DESCRIPTION	QTY.
2	MTM1193-1112-CR	BRKT LG SPRT 4 HOOK & HANG PB20GA-0.375	1
3	MTM1160-1141-CR	BRKT SLIDE HANGER ERCISON PB20GA	1
4	MTM1160-1162-CR	BRACKET, HANGING RAIL MOVEABLE PB20GA	1
7	MTM1160-1169-CR	BRKT MAIN HK & HANG REAR PLT PB20GA	1
10	100117-4	FA,SEMS,PH,XRES,M6X25,SST,PASS	6
11	SNYL02	1/4" SS NYLOCK HEX NUT	3
12	SWF-02	FLAT WASHER, 1/4" SS	3
17	MTC9415	M8 X 25mm HEX BOLT SS	4
18	MTC9418	M8 LOCK WASHER SS	4
19	MTC9419	M8 FLAT WASHER SS	4



STEP 3 :
MTM1193-1112-CR

1. INSTALL ONE SIDE OF THE MOUNTING BRACKET MTM1193-1112-CR TO BRACKET OF ASSEMBLY USING 2 SETS OF M6 SEMS SCREWS, CLIP NUTS AND THE OTHER SIDE(AVOIDED SLOT) TO THE MOUNTING BRACKET MTM1160-1162-CR USING 2 SETS OF 1/4" NUT AND FLAT WASHERS



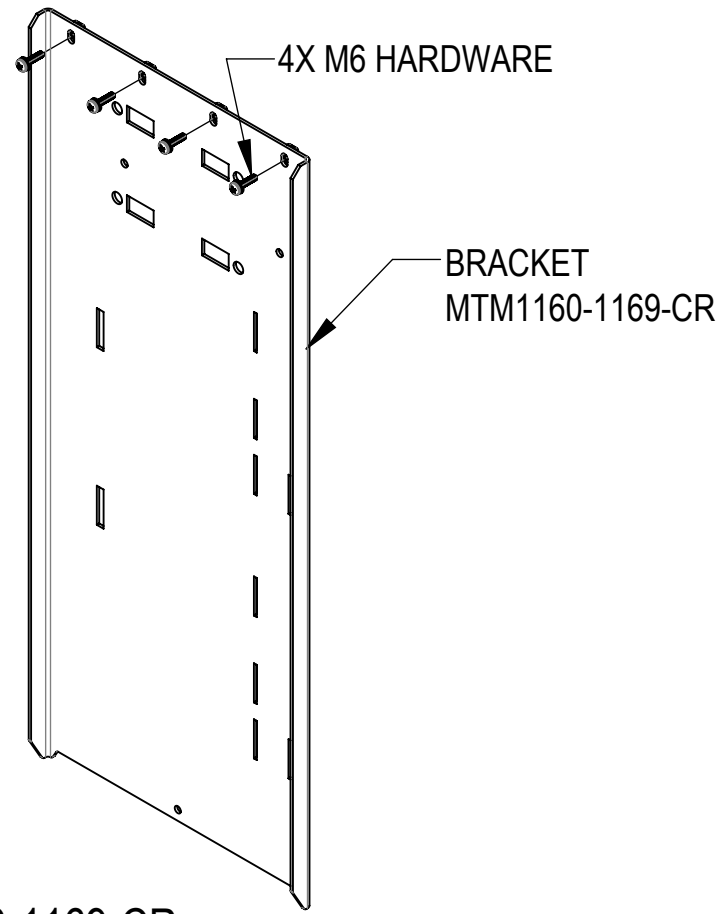
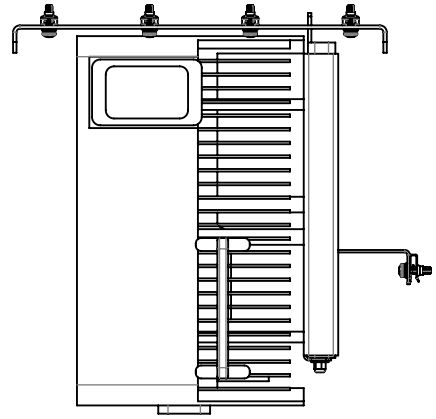
STEP 4 :
MTM1160-1141-CR(4426)

1. HANG THE MOUNTING BRACKET MTM1160-1141-CR TO THE MOUNTING BRACKET MTM1160-1162-CR AND LOCK THE SIDE USING 1 SET OF 1/4" NUT AND FLAT WASHER

E6: 4426 INSTALLATION

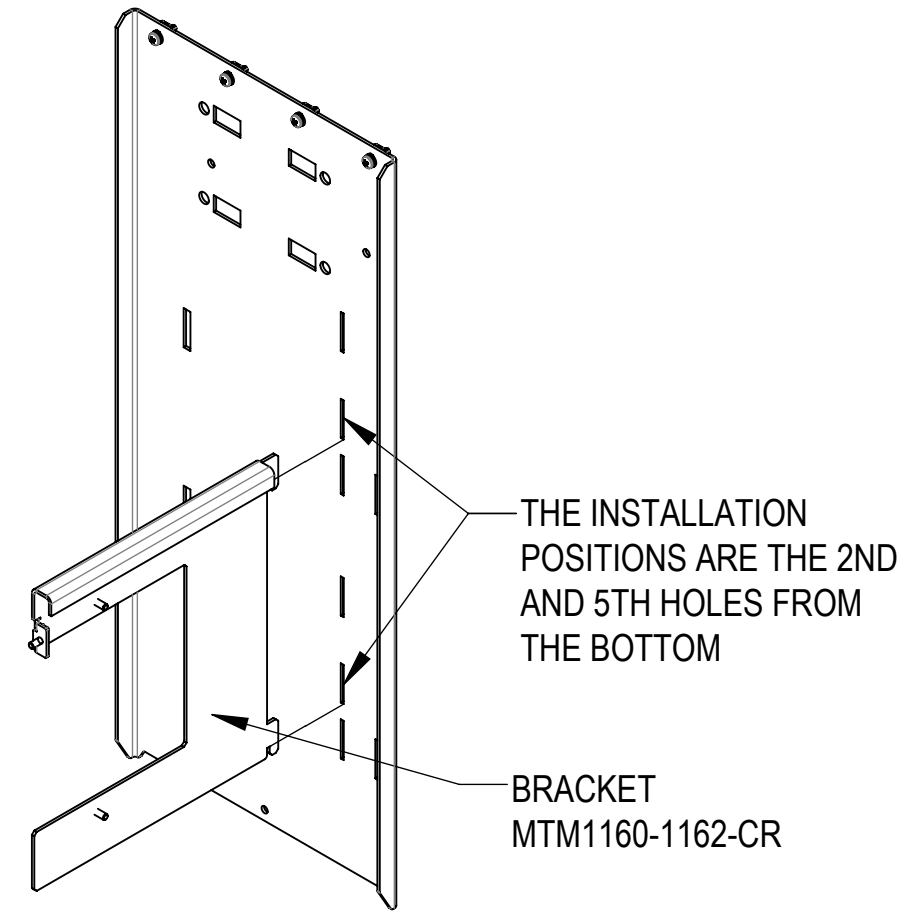
EQUIPMENT INSTALLATION SEE SHEET 2
TORQUE ALL TO SPEC

COMMSCOPE, INC. OF NORTH CAROLINA				
TITLE KIT ERICSSON INSTALL INTO PB20GA-0.375				
SIZE C	SCALE 1:10	DOCUMENT NO. MTM1193-1101-AMK-E		
DRAWING		VERSION	STATUS	REVISION
		01	RE	B
				SHEET 8 OF 11



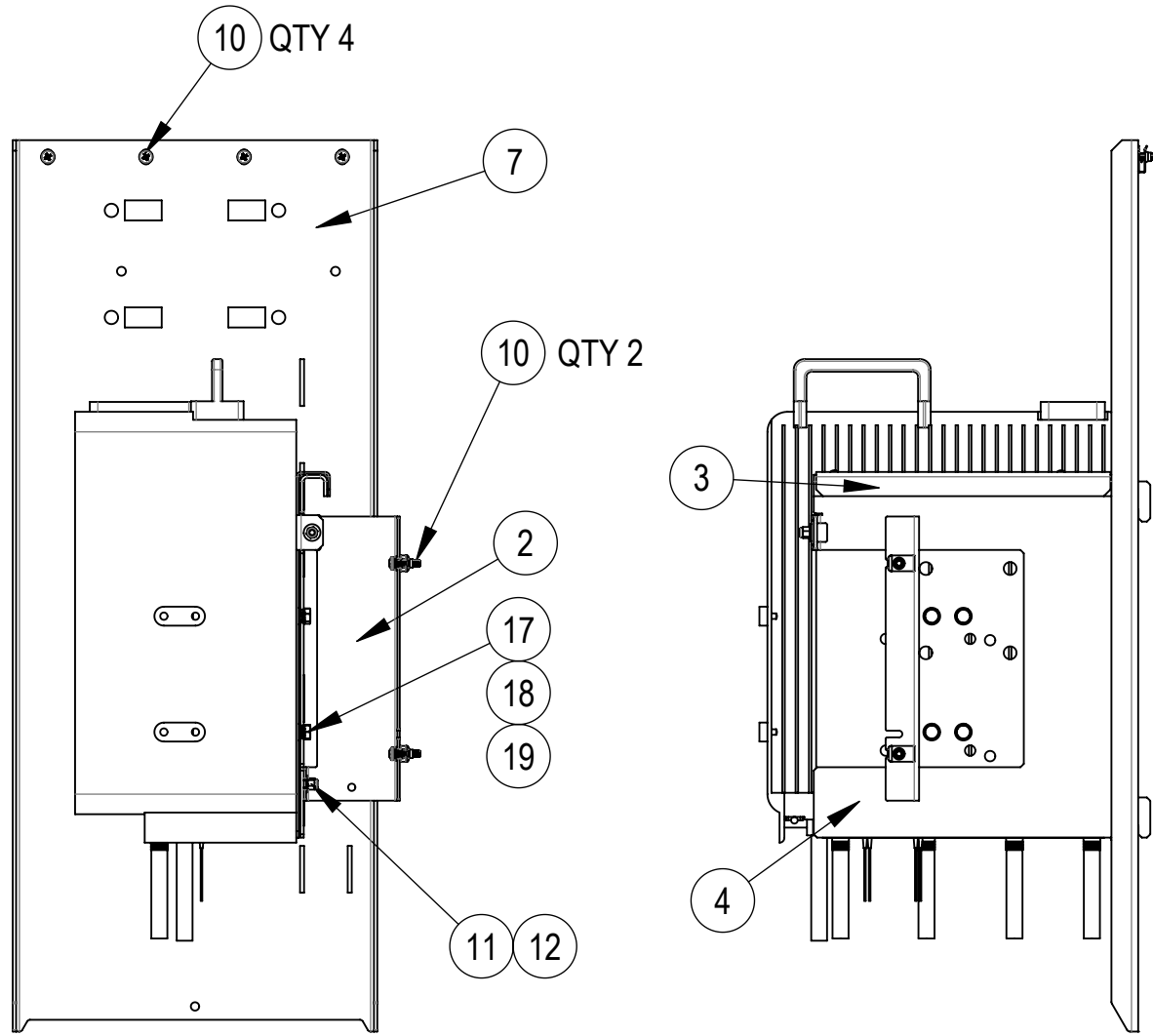
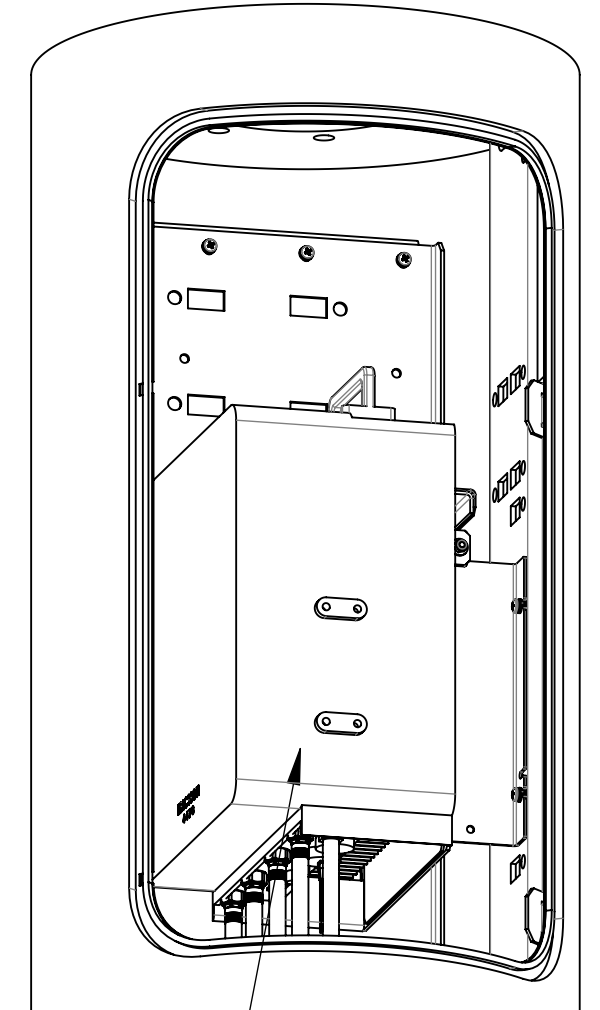
STEP 1 :
MTM1160-1169-CR

1. INSTALL THE MOUNTING BRACKET MTM1160-1169-CR TO BRACKET OF ASSEMBLY USING 4 SETS OF M6 SEMS SCREWS AND CLIP NUTS



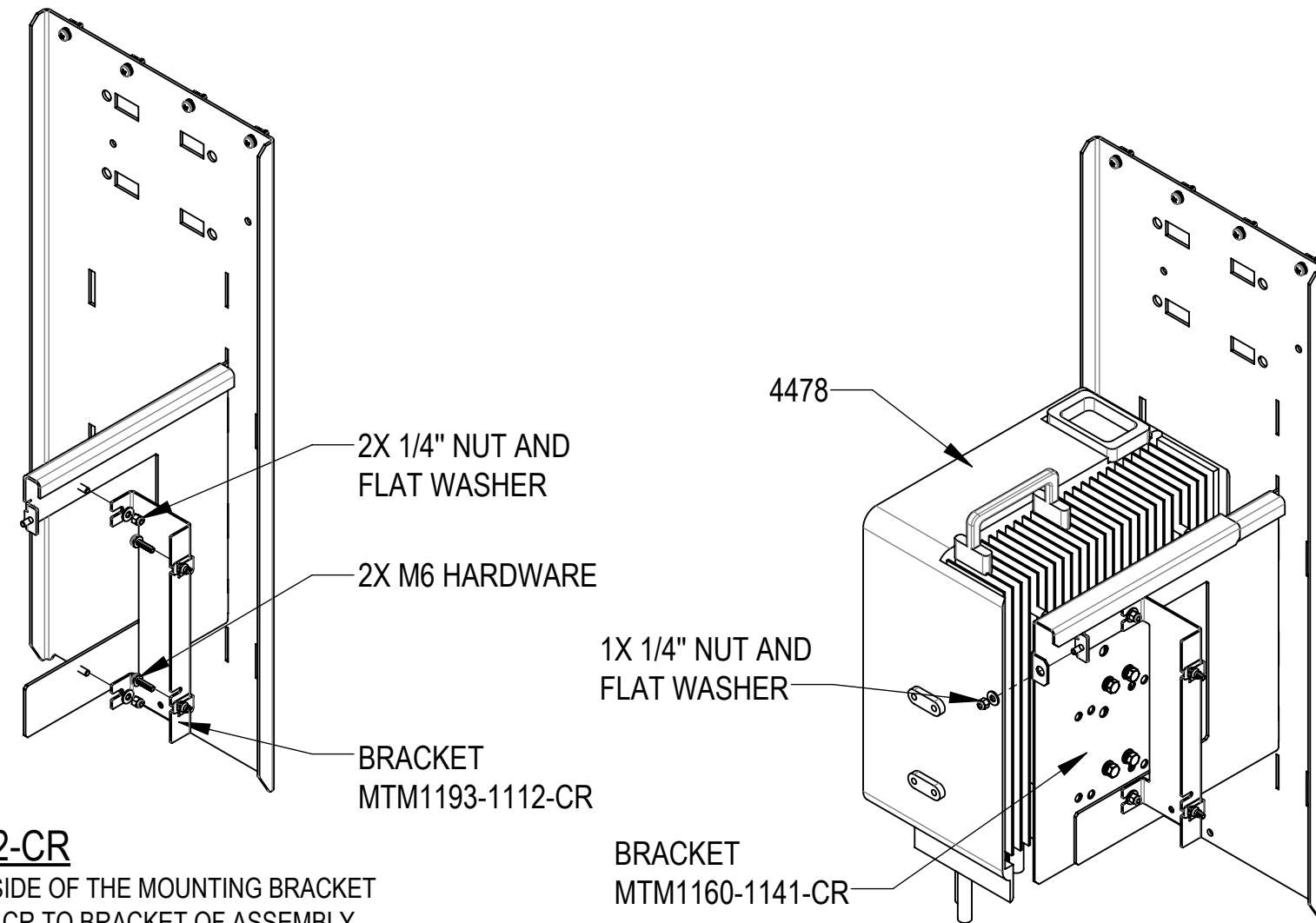
STEP 2 :
MTM1160-1162-CR

1. HANG THE MOUNTING BRACKET MTM1160-1162-CR TO THE 2ND AND 5TH HOLES FROM THE BOTTOM OF THE MOUNTING BRACKET MTM1160-1169-CR



STEP 3 :
MTM1193-1112-CR

1. INSTALL ONE SIDE OF THE MOUNTING BRACKET MTM1193-1112-CR TO BRACKET OF ASSEMBLY USING 2 SETS OF M6 SEMS SCREWS, CLIP NUTS AND THE OTHER SIDE(AVOIDED SLOT) TO THE MOUNTING BRACKET MTM1160-1162-CR USING 2 SETS OF 1/4" NUTS AND FLAT WASHERS



STEP 4 :
MTM1160-1141-CR(4478)

1. HANG THE MOUNTING BRACKET MTM1160-1141-CR TO THE MOUNTING BRACKET MTM1160-1162-CR AND LOCK THE SIDE USING 1 SET OF 1/4" NUT AND FLAT WASHER

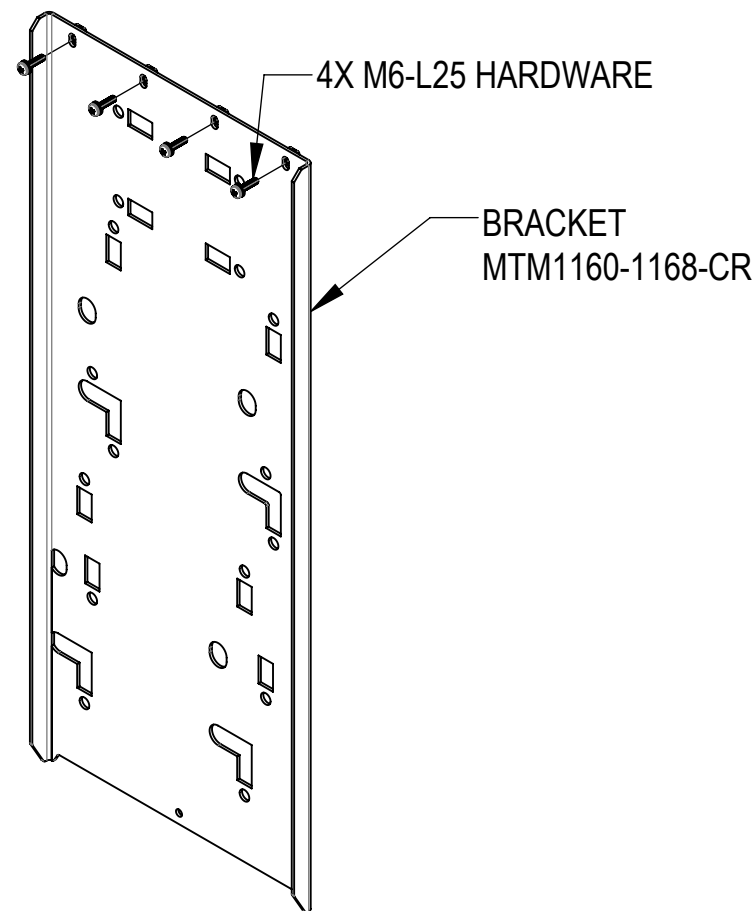
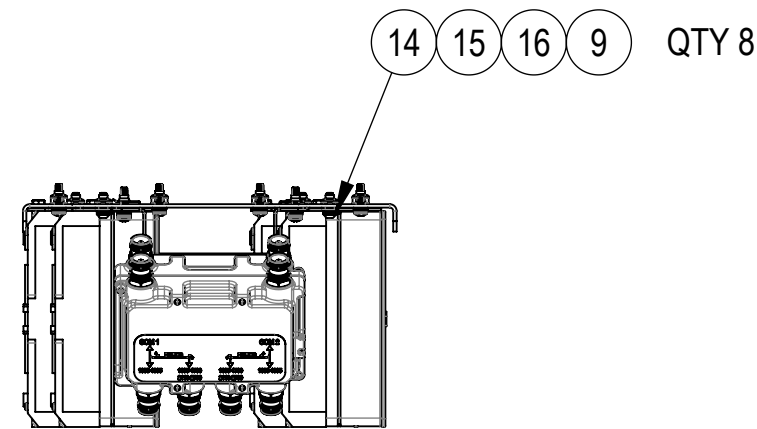
BOM FOR 4478 INSTALLATION

ITEM NO.	PART NUMBER	DESCRIPTION	QTY.
2	MTM1193-1112-CR	BRKT LG SPRT 4 HOOK & HANG PB20GA-0.375	1
3	MTM1160-1141-CR	BRKT SLIDE HANGER ERCISON PB20GA	1
4	MTM1160-1162-CR	BRACKET, HANGING RAIL MOVEABLE PB20GA	1
7	MTM1160-1169-CR	BRKT MAIN HK & HANG REAR PLT PB20GA	1
10	100117-4	FA,SEMS,PH,XRES,M6X25,SST,PASS	6
11	SNYL02	1/4" SS NYLOCK HEX NUT	3
12	SWF-02	FLAT WASHER, 1/4" SS	3
17	MTC9415	M8 X 25mm HEX BOLT SS	4
18	MTC9418	M8 LOCK WASHER SS	4
19	MTC9419	M8 FLAT WASHER SS	4

E7: 4478 INSTALLATION

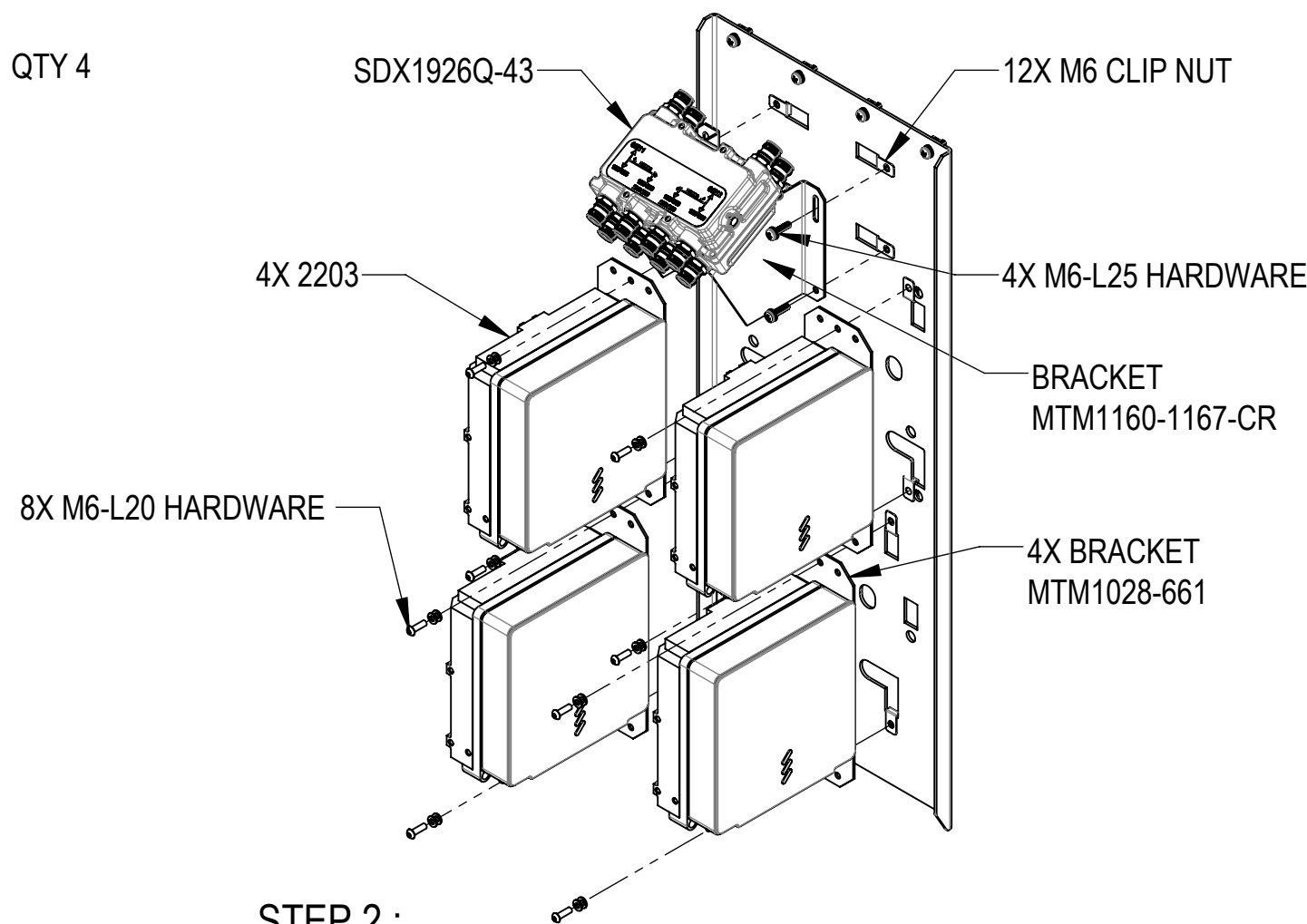
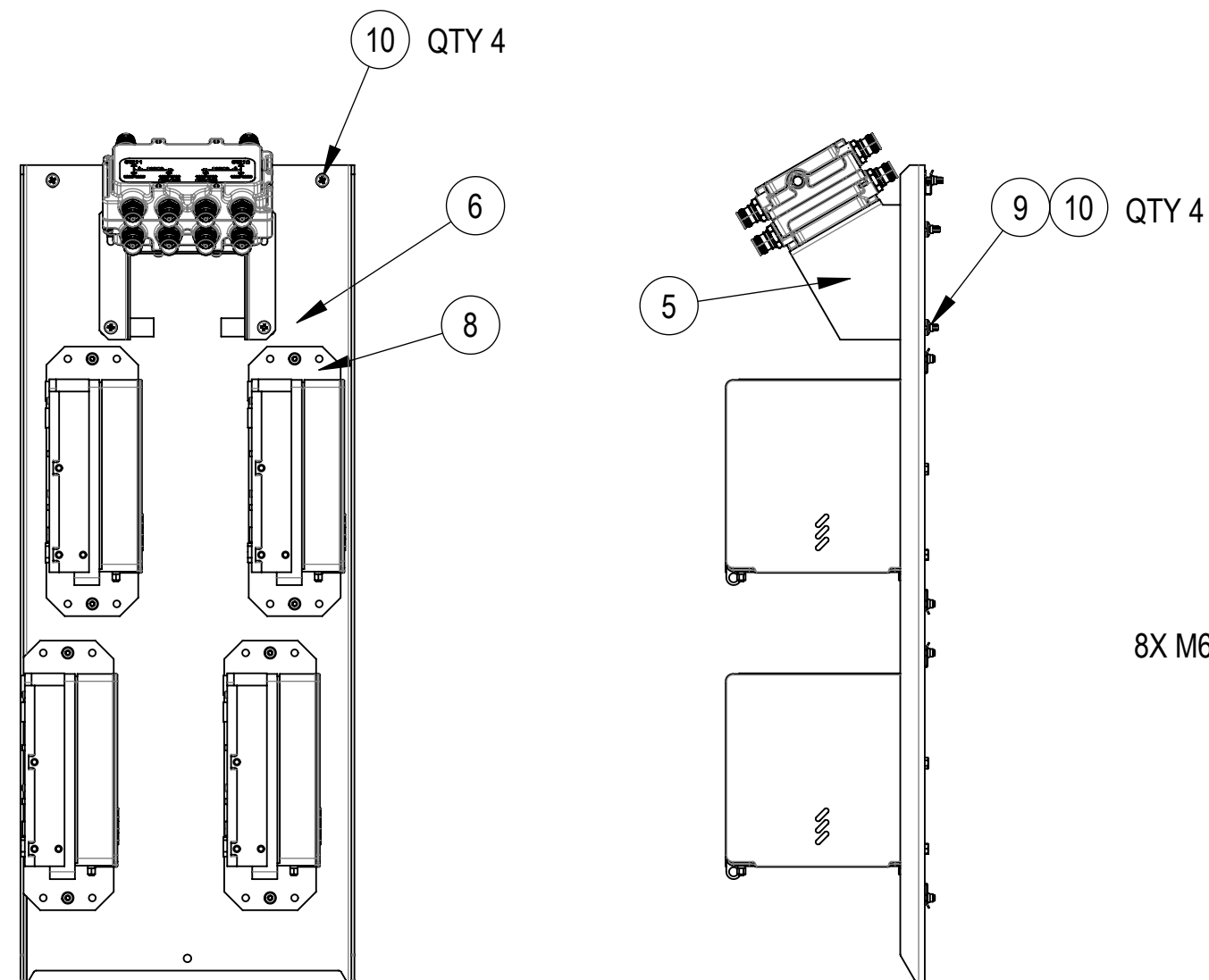
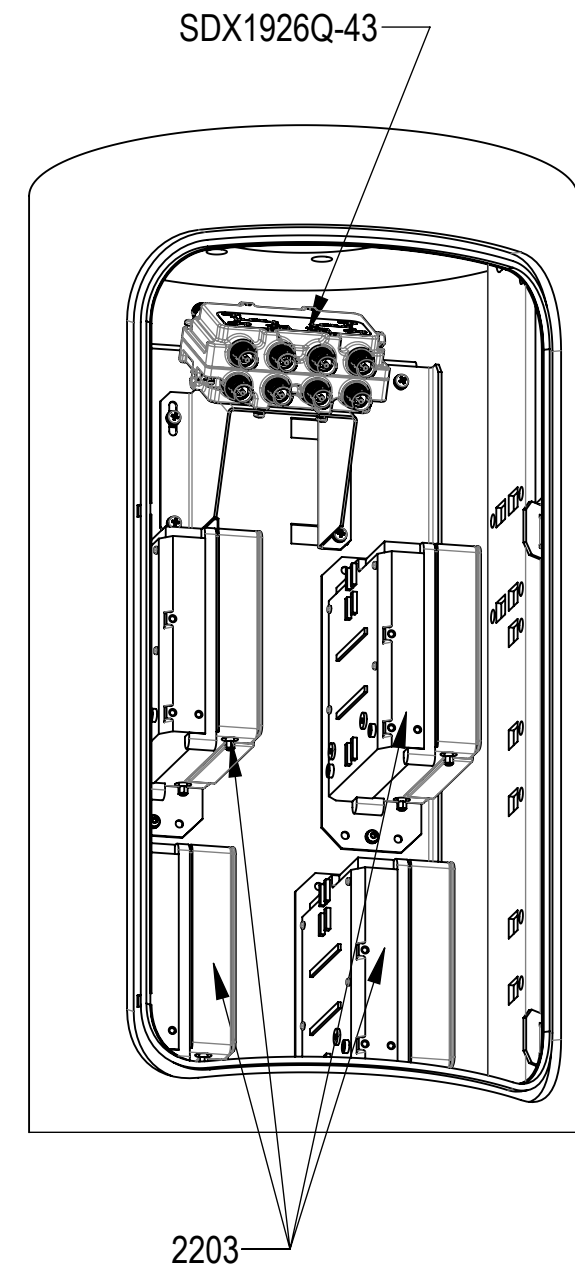
EQUIPMENT INSTALLATION SEE SHEET 3
TORQUE ALL TO SPEC

COMMSCOPE, INC. OF NORTH CAROLINA				
TITLE KIT ERICSSON INSTALL INTO PB20GA-0.375				
SIZE C	SCALE 1:10	DOCUMENT NO. MTM1193-1101-AMK-E		
DRAWING		VERSION	STATUS	REVISION
		01	RE	B
				SHEET 9 OF 11



STEP 1 :
MTM1160-1168-CR

1. INSTALL THE MOUNTING BRACKET MTM1160-1168-CR TO BRACKET OF ASSEMBLY USING 4 SETS OF M6 SEMS SCREWS AND CLIP NUTS



STEP 2 :
MTM1160-1167-CR(SDX1926Q-43) + 4X MTM1028-661(2203)

1. INSTALL M6 CLIP NUTS AS SHOWN
2. INSTALL THE MOUNTING BRACKET MTM1160-1167-CR TO THE MOUNTING BRACKET MTM1160-1168-CR USING 4 SETS OF M6 SEMS SCREWS AND CLIP NUTS.
3. INSTALL THE 4 MOUNTING BRACKET MTM1028-661 TO THE MOUNTING BRACKET MTM1160-1168-CR USING 8 SETS OF M6 HEX BOLTS, LOCK WASHERS AND FLAT WASHERS

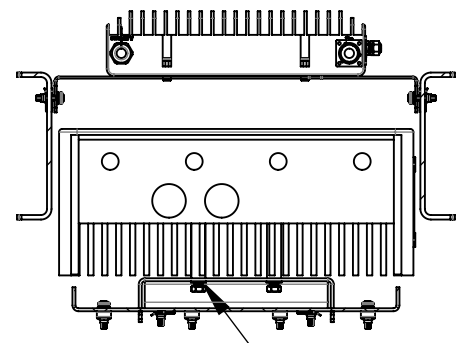
BOM FOR 4X 2203 + QUAD DIPLEXER SDX1926Q-43 INSTALLATION

ITEM NO.	PART NUMBER	DESCRIPTION	QTY.
5	MTM1160-1167-CR	BRKT DIPLEX MNTG TOP/ANGLE PB20GA	1
6	MTM1160-1168-CR	BRKT MAIN PLATE RADIOS REAR PB20GA	1
8	MTM1028-661	BRACKET, ERC2203 RADIO	4
9	460143456	CLIP NUT, M6, 316 SST	12
10	100117-4	FA,SEMS,PH,XRES,M6X25,SST,PASS	8
13	460155492	SEMS, HCS M6 X 16MM WITH CAPTIVE WASHERS	12
14	100560-66	SCR,BUTTN HD,HEXSOCK,M6X20,SST,PASS	8
15	100522-25	WSHR,LK,SPLT, M6,SST, PASS	8
16	100521-25	WSHR,FLAT,M6,6.4X12X1.6,SST,PASS	8

E8: 4X 2203 + QUAD DIPLEXER SDX1926Q-43 INSTALLATION

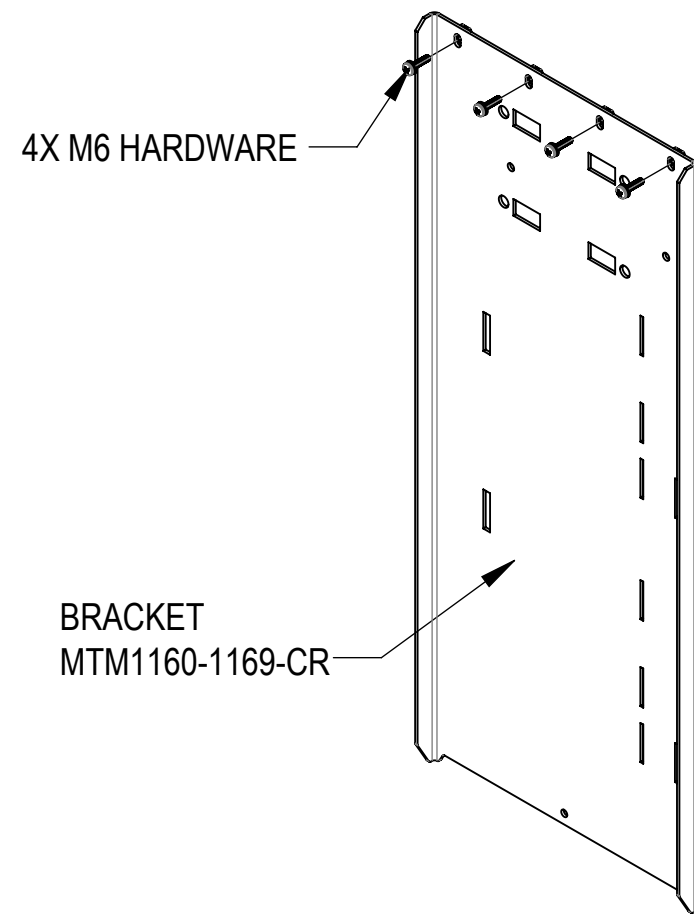
EQUIPMENT INSTALLATION SEE SHEET 3
TORQUE ALL TO SPEC

COMMScope, INC. OF NORTH CAROLINA				
TITLE KIT ERICSSON INSTALL INTO PB20GA-0.375				
SIZE C	SCALE 1:10	DOCUMENT NO. MTM1193-1101-AMK-E		
		DRAWING		SHEET
		VERSION 01	STATUS RE	REVISION B



19 18 17 QTY 4

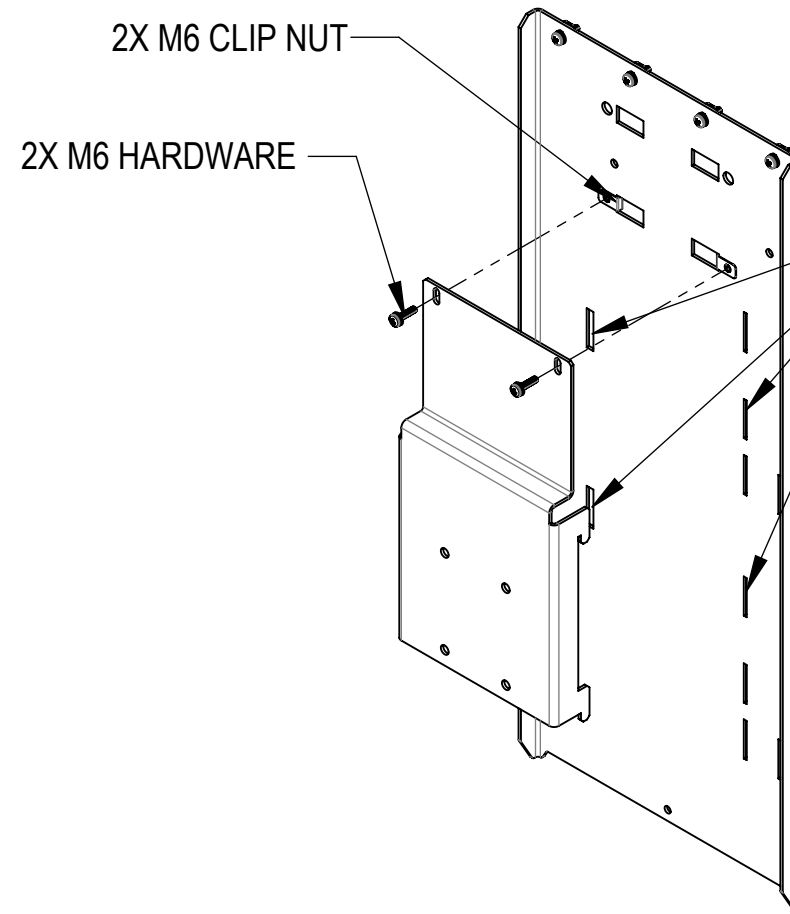
SECTION A-A
SCALE 1 : 8



STEP 1 :

MTM1160-1169-CR

1. INSTALL THE MOUNTING BRACKET MTM1160-1169-CR TO BRACKET OF ASSEMBLY USING 4 SETS OF M6 SEMS SCREWS AND CLIP NUTS

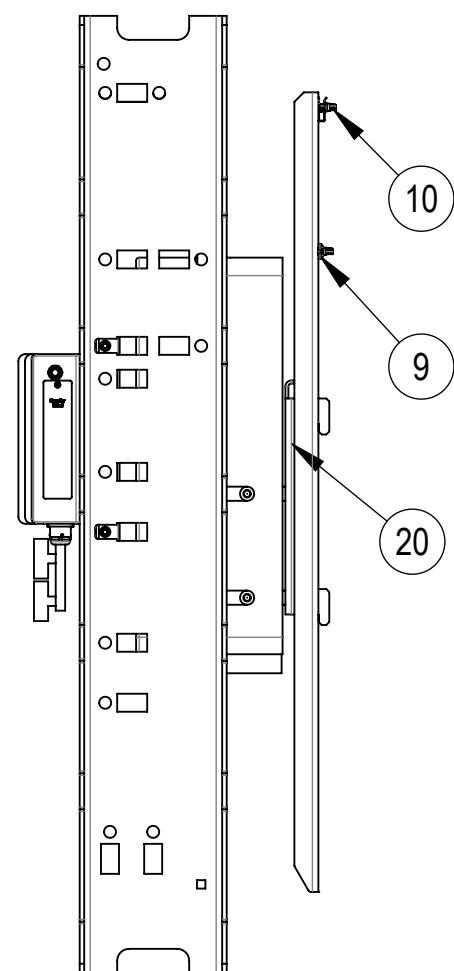
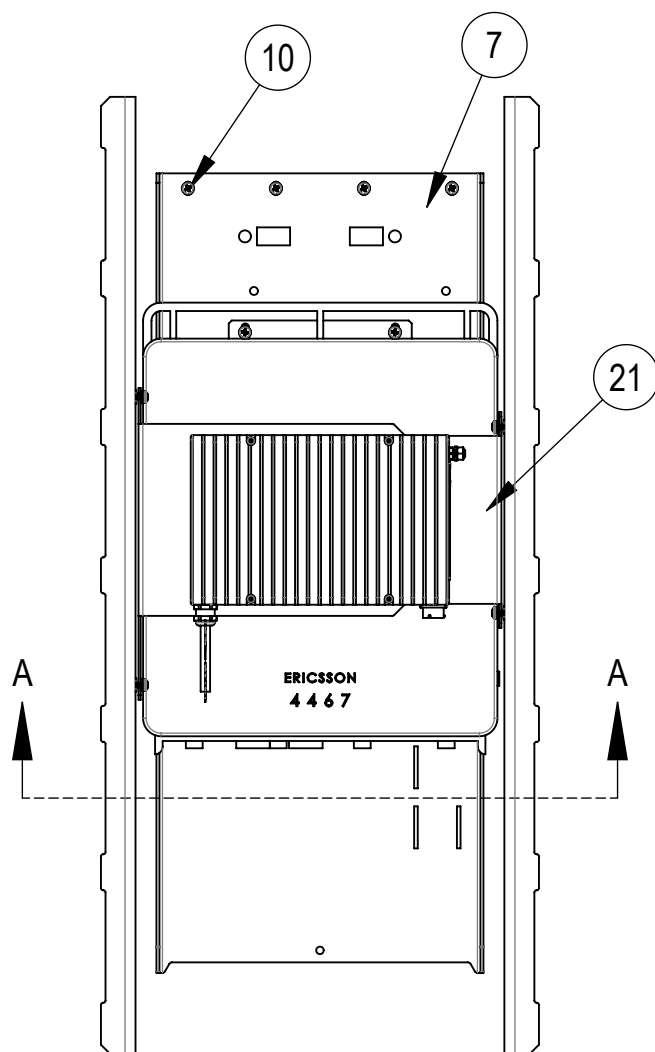
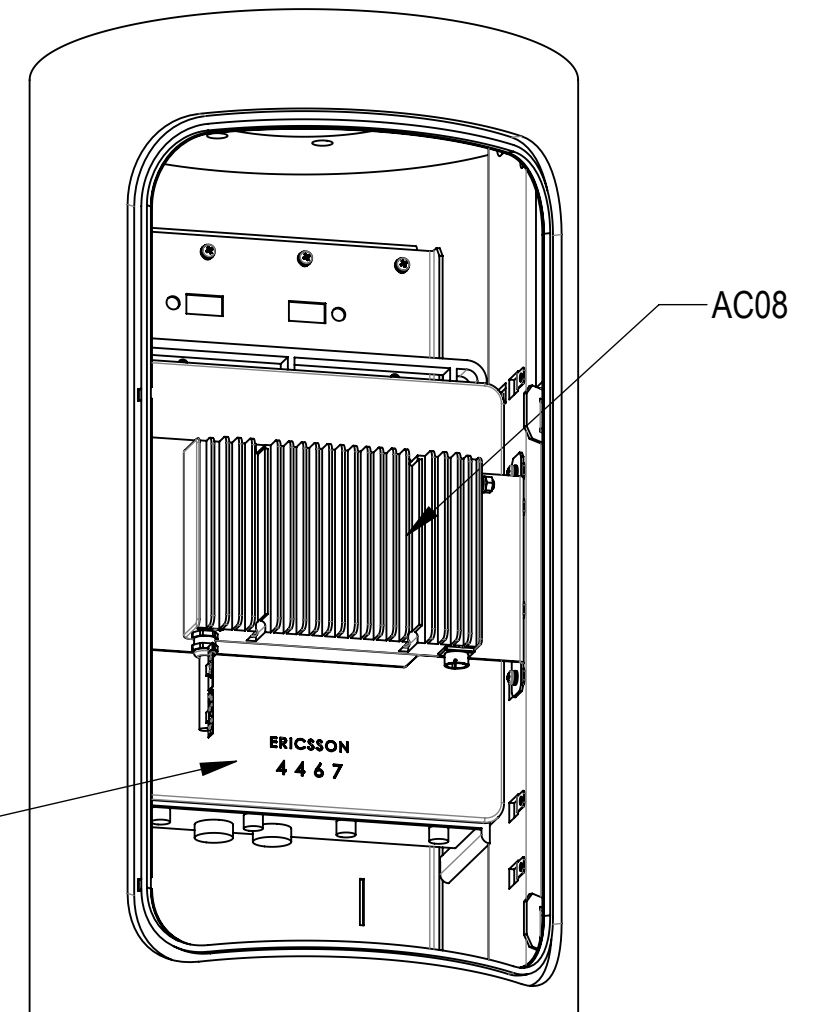


STEP 2 :

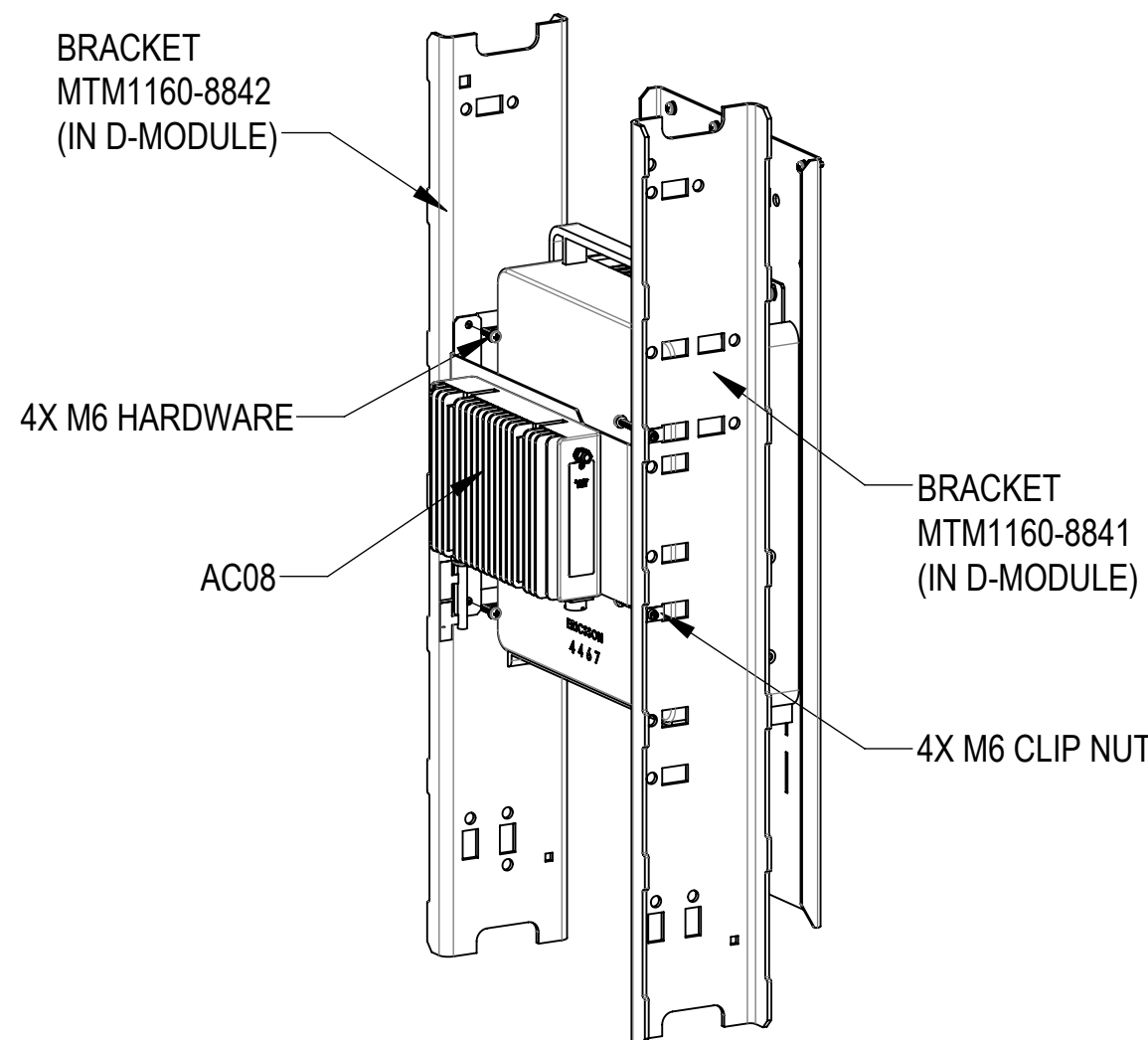
MTM1209-1000-CR(4467 NO SHOW)

1. INSTALL M6 CLIP NUTS AS SHOWN
2. HANG THE MOUNTING BRACKET MTM1209-1000-CR TO THE 3RD AND 5TH HOLES FROM BRACKET THE BOTTOM AND THE 2 HOLES FROM THE THIRD COLUMN OF THE MOUNTING BRACKET MTM1160-1169-CR (4467 NO SHOW)
3. INSTALL THE MOUNTING BRACKET MTM1209-1000-CR TO BRACKET OF ASSEMBLY USING 2 SETS OF M6 SEMS SCREWS AND CLIP NUTS

THE INSTALLATION POSITIONS ARE THE 3RD AND 5TH HOLES FROM BRACKET THE BOTTOM AND THE 2 HOLES FROM THE THIRD COLUMN



BRACKET
MTM1160-8842
(IN D-MODULE)



STEP 3 :

MTM1209-2000-CR(AC08)

1. INSTALL THE MOUNTING BRACKET MTM1209-2000-CR TO BRACKET OF ASSEMBLY(D-MODULE) USING 4 SETS OF M6 SEMS SCREWS AND CLIP NUTS

BOM FOR 4467 + AC08 INSTALLATION

ITEM NO.	PART NUMBER	DESCRIPTION	QTY.
7	MTM1160-1169-CR	BRKT MAIN HK & HANG REAR PLT PB20GA	1
9	460143456	CLIP NUT, M6, 316 SST	12
10	100117-4	FA,SEMS,PH,XRES,M6X25,SST,PASS	10
13	460155492	SEMS, HCS M6 X 16MM WITH CAPTIVE WASHERS	12
17	MTC9415	M8 X 25mm HEX BOLT SS	4
18	MTC9418	M8 LOCK WASHER SS	4
19	MTC9419	M8 FLAT WASHER SS	4
20	MTM1209-1000-CR	BRKT MOUNT RU4467	1
21	MTM1209-2000-CR	BRKT MOUNT AC08	1

E11: 4467 + AC08 INSTALLATION

EQUIPMENT INSTALLATION SEE SHEET 3
TORQUE ALL TO SPEC

COMMScope, INC. OF NORTH CAROLINA

TITLE
KIT ERICSSON INSTALL INTO PB20GA-0.375

SIZE C SCALE 1:10 DOCUMENT NO. MTM1193-1101-AMK-E

DRAWING			SHEET 11 OF 11
VERSION	STATUS	REVISION	
01	RE	B	