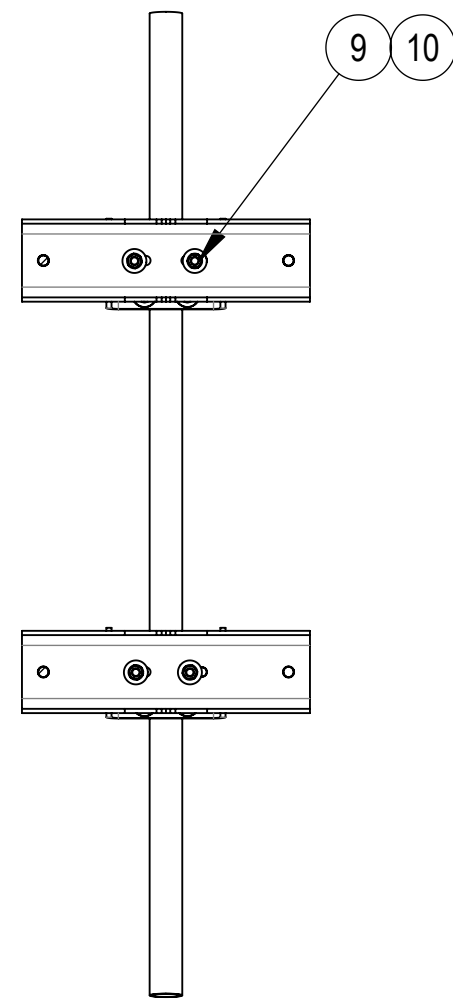
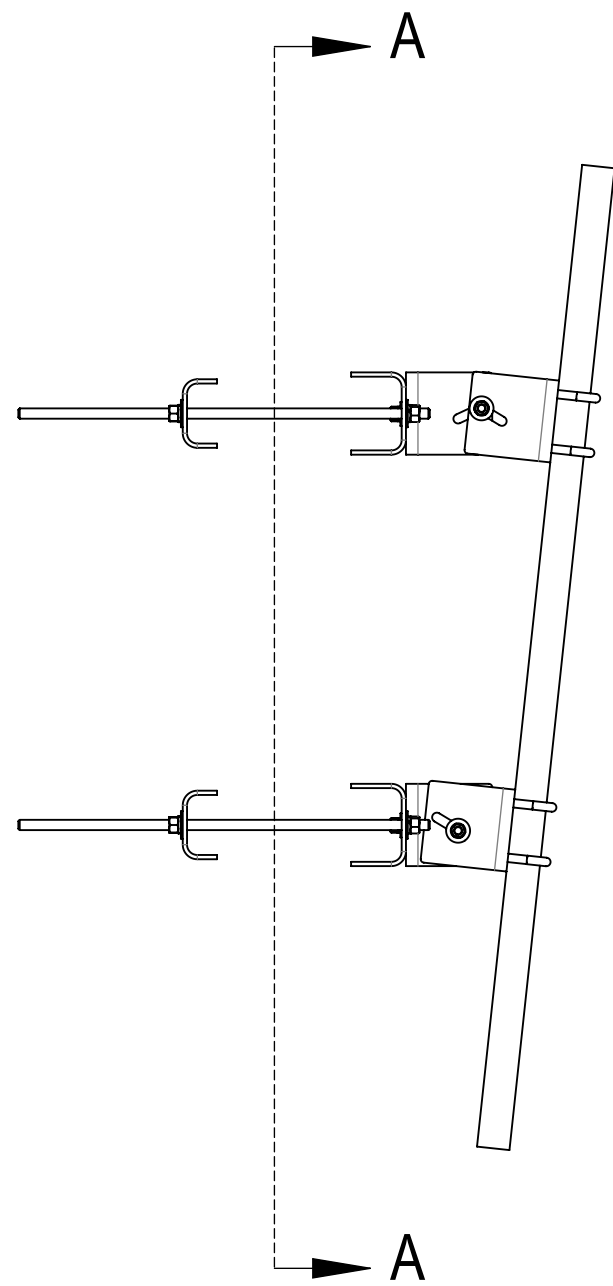
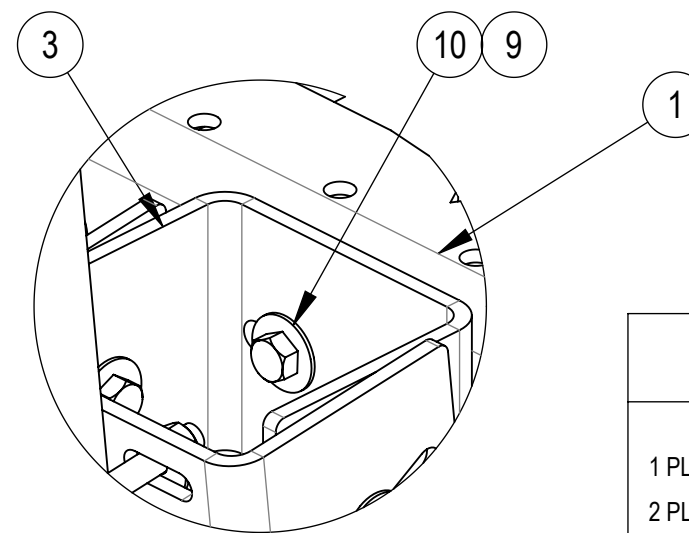
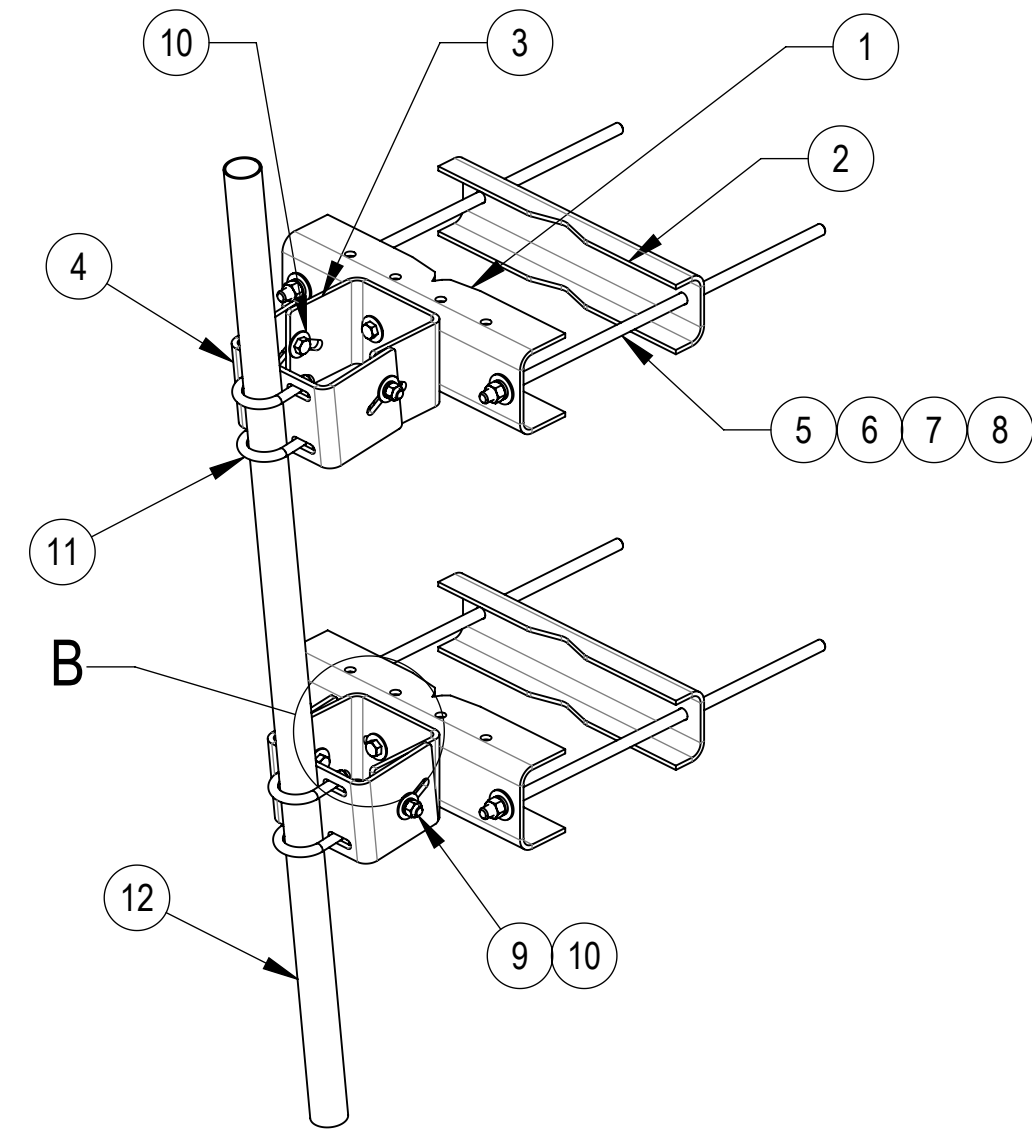


- 1.0 GENERAL NOTES  
 1.1 ALL METRIC DIMENSIONS ARE IN BRACKETS [X.X]  
 1.2 FOR PATENT INFO: <https://www.cs-pat.com>  
 2.0 DESIGN NOTES  
 2.1 FITS TOWER LEGS UP TO 16" ROUND OR 60° ANGLE, 12" 90° ANGLE.  
 3.0 MANUFACTURING/SPECIAL REQUIREMENTS  
 3.1 TIGHTEN ALL BOLTS SECURING FLAT PLATES BY THE TURN-OF-NUT METHOD. TIGHTEN ALL U-BOLTS USING TURN-OF-NUT METHOD WITH ATTENTION TO LEAVE EQUAL DISTANCE AND EQUAL FORCE ON EACH LEG OF THE U-BOLT.  
 4.0 TEST  
 5.0 PACKAGING  
 5.1 PACKAGING SHALL MEET COMMScope REQUIREMENTS PER DOCUMENT IS-PL-3005.  
 5.2 PRINTED DOCUMENT TO BE PLACED INSIDE POLYBAG AND THEN IN SHIPPING CONTAINER.  
 5.3 EXTRA HARDWARE MAY BE SUPPLIED, BAGGED AND SHIPPED.

REVISIONS			
REV.	DESCRIPTION	DATE	APPROVED
A	INDIVIDUAL DRAWING INITIAL RELEASE	YX1027 14JUN24	AIBIN 40198118CMO



SECTION A-A



DETAIL B  
SCALE 1 : 4

COMPONENT PART NUMBERS PROVIDED FOR ASSEMBLY PURPOSES;  
 INDIVIDUAL COMPONENTS MAY BE SHIPPED AS PARTS WITHIN AN INCLUDED KIT.

ITEM NO.	PART NUMBER	DESCRIPTION	QTY.	WEIGHT	NOTE NO.
1	SMU201601	LARGE SADDLE MOUNT, 16" TOWER LEG	2	22.4 LBS	
2	SMU201602	CLAMP PLATE	2	15.5 LBS	
3	MTC985101	INNER CHANNEL FOR MTC9851 MOUNT	2	11.52 LBS	
4	MTC985102	OUTER CHANNEL	2	11.78 LBS	
5	MT38430B7	3/4" X 30" GALV THREADED ROD, GRADE B7	4	3.7 LBS	
6	GWF-06	3/4" GALV FLAT WASHER	8	0.10 LBS	
7	GWL-06	3/4" GALV LOCK WASHER	8	0.04 LBS	
8	GN-06	3/4" GALV HEX NUT	8	0.15 LBS	
9	GB-0520A	5/8" X 2" GALV BOLT KIT (A325)	8	0.26 LBS	
10	GWF-05	5/8" GALV FLAT WASHER, 1.7OD	16	0.06 LBS	
11	GUB52440	5/8" X 2-1/2" X 4" GALV U-BOLT	4	0.9 LBS	
12	MT-651	2.375" OD X 72" PIPE	1	17.44 LBS	

DENSITY	165.78	lbs/in <sup>3</sup>
MASS	165.78	lbs
VOLUME	587.63	in <sup>3</sup>
SURFACE AREA	4590.59	in <sup>2</sup>
HEIGHT	71.84"	
LENGTH	21"	
WIDTH	43.48"	

COMMScope, INC. OF NORTH CAROLINA									
TOLERANCES					SAP MATERIAL MASTER				
1 PLACE .X[X] ± .12[0.3]		3 PLACE .XXX[X] ± .03[0.8]			PML-SC2-72				
2 PLACE .XX[X] ± .06[1.5]		ANGLES ± 2°							
FINISH					MATERIAL				
LL UNIV. OPEN FACE PIPE MNT ,2-3/8"ODX72"									
NAME		DATE		TITLE					
CE YX1027		14JUN24							
RW YX1027		06/14/2024							
AD YMENG		06/21/2024							
RE YMENG		06/26/2024							
ECN 40198118CMO				SCALE		DOCUMENT NO.			
				1:16		PML-SC2-72			
SIZE		Auth Group		INSL		MODEL		DRAWING	
C									
VERSION		STATUS		REVISION		VERSION		STATUS	
01		RE		B		00		RE	
								REVISION	
								A	
SHEET 1 OF 1									