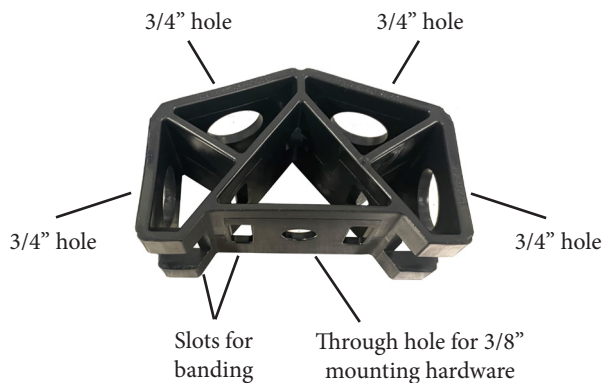


## SA-4C

### 4-Way Snap-in Style Hanger Stand-off Adapter – PIM Free

Bulletin 7861633 Revision A Page 1 of 1



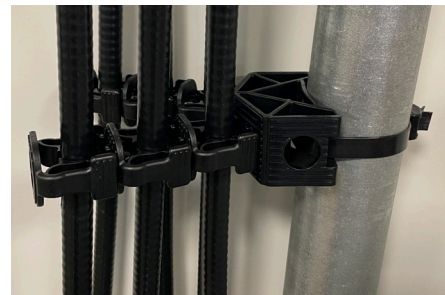
**1** Insert banding through desired slots. Use outside slots for mounting on large diameter pipes and poles. Inside slots for small diameters.



**2** Tighten banding to secure 4-way adapter tightly to round member. Cut off excess strap tail.



**3a** Configuration showing adapter securely attached to round member. Maximum hanger loading is twelve 4-17 mm hangers or eight 26-42 mm hangers.



**3b** 4-way adapter can also be mounted to tower angle and standoff adapters with 3/8" hardware. Same maximum hanger loading applies.



### Additional CommScope Materials

Part Number	Description
<a href="#">CB-12-16LH</a>	Heat-stabilized weather resistant acetal cable banding, 1/2 in x 16 in length
<a href="#">CB-12-27LH</a>	Heat-stabilized weather resistant acetal cable banding, 1/2 in x 27 in length
<a href="#">CB-12-50</a>	Cable banding, 1/2 inch X 50 foot reel
<a href="#">CB-LH-25</a>	Locking heads for cable banding number CB-12-50
<a href="#">243684</a>	Angle adapter
<a href="#">SSH-411</a>	4.0 mm to 11.0 mm cable hangers – PIM Free
<a href="#">SSH-1117</a>	11.0 mm to 17.0 mm cable hangers – PIM Free
<a href="#">SSH-2630</a>	26.0 mm to 30.0 mm cable hangers – PIM Free
<a href="#">SSH-3642</a>	36.0 mm to 42.0 mm cable hangers – PIM Free

CommScope  
3642 E US Highway 70, Claremont, NC 28610 USA  
(828) 324-2200 (800) 982-1708  
[www.commscope.com](http://www.commscope.com)

Technical Support  
+1 888 297 6433, Option 3 (Toll Free US and Canada)  
+1 828 323 4220, Option 3 (local)  
<https://www.commscope.com/wisupport> (open a ticket)

Notice: CommScope disclaims any liability or responsibility for the results of improper or unsafe installation, inspection, maintenance, or removal practices.  
Aviso: CommScope no acepta ninguna obligación ni responsabilidad como resultado de prácticas incorrectas o peligrosas de instalación, inspección, mantenimiento o retiro.  
Avis: CommScope décline toute responsabilité pour les conséquences de procédures d'installation, d'inspection, d'entretien ou de retrait incorrectes ou dangereuses.  
Hinweis: CommScope lehnt jede Haftung oder Verantwortung für Schäden ab, die aufgrund unsachgemäßer Installation, Überprüfung, Wartung oder Demontage auftreten.  
Atenção: A CommScope abdica do direito de toda responsabilidade pelos resultados de práticas inadequadas e sem segurança de instalação, inspeção, manutenção ou remoção.  
Avvertenza: CommScope declina eventuali responsabilità derivanti dall'esecuzione di procedure di installazione, ispezione, manutenzione e smontaggio improprie o poco sicure.