

4

3


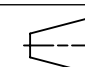
2

1

- 1.0 GENERAL NOTES
- 2.0 DESIGN NOTES
- 3.0 MANUFACTURING/SPECIAL REQUIREMENTS
 - 3.1 TIGHTEN HARDWARE, TORQUE VALUE ARE SHOWN BELOW AS REFERENCE
BELOW LIST ARE VALUES FOR STEEL HW, FOR SPECIAL CASES REFER TO DWG. 090323-000
M5: TORQUE 23.0 IN-LB OR 2.6 N-M
M6: TORQUE 40.0 IN-LB OR 4.5 N-M (W/ CLIP NUT)
M6: TORQUE 46.0 IN-LB OR 5.2 N-M (W/ THREADED CAST AL)
M6: TORQUE 75.0 IN-LB OR 8.5 N-M (W/ STEEL NUT)
M8: TORQUE 6.6 FT-LB OR 9.0 N-M (W/ THREADED CAST AL)
M10: TORQUE 16.2 FT-LB OR 22 N-M (W/ THREADED CAST AL)
 - 3.2 CONFIGURATIONS AND QUANTITY OF EQUIPMENTS IN INSTALLATION ARE LISTED ON TABLE.
- 4.0 TEST
- 5.0 PACKAGING
 - 5.1 PACKAGING SHALL MEET COMMSCOPE REQUIREMENTS PER DOCUMENT IS-PL-3005

REVISIONS			
REV.	DESCRIPTION	DATE	APPROVED
A	INITIAL RELEASE	YC1059 13DEC23	JX1002 40182636CMO

CONFIGURATION	3.2 APPROVED FAN KITS CONFIGURATIONS		
	MV2 (OR DBHP)	DRILLING	FAN KITS
C1	1	N/A	1
C2	1	1	1

COMMSCOPE, INC. OF NORTH CAROLINA											
TOLERANCES					SAP MATERIAL MASTER						
1 PLACE .X[X] ± 0.1[3.0]			3 PLACE .XXX[X] ± 0.030[0.8]		860661736-MV2-C03X						
2 PLACE .XX[X] ± 0.06[1.5]			ANGLES ± 1°								
FINISH					MATERIAL						
UNLESS OTHERWISE SPECIFIED DIMENSIONS ARE IN INCHES INTERPRET PER ANSI Y 14.5M-1994		NAME	DATE	MV2&DBHP,FAN KITS,INSTALL							
	CE	YC1059	13DEC23								
	RW	YC1059	02/01/2024								
	AD	JX1002	02/01/2024								
	RE	DM1121	02/05/2024	SCALE	DOCUMENT NO.						
	ECN 40182636CMO			1:4		860661736-MV2-C03-INSTALL					
DENSITY	lbs/in³	SIZE		Auth Group	INSL	MODEL			DRAWING		
MASS	lbs	C			VERSION	STATUS	REVISION	VERSION	STATUS	REVISION	SHEET
VOLUME	in³				RE	A	00	RE	A	1 OF 6	
SURFACE AREA	in²										
HEIGHT											
LENGTH											
WIDTH											

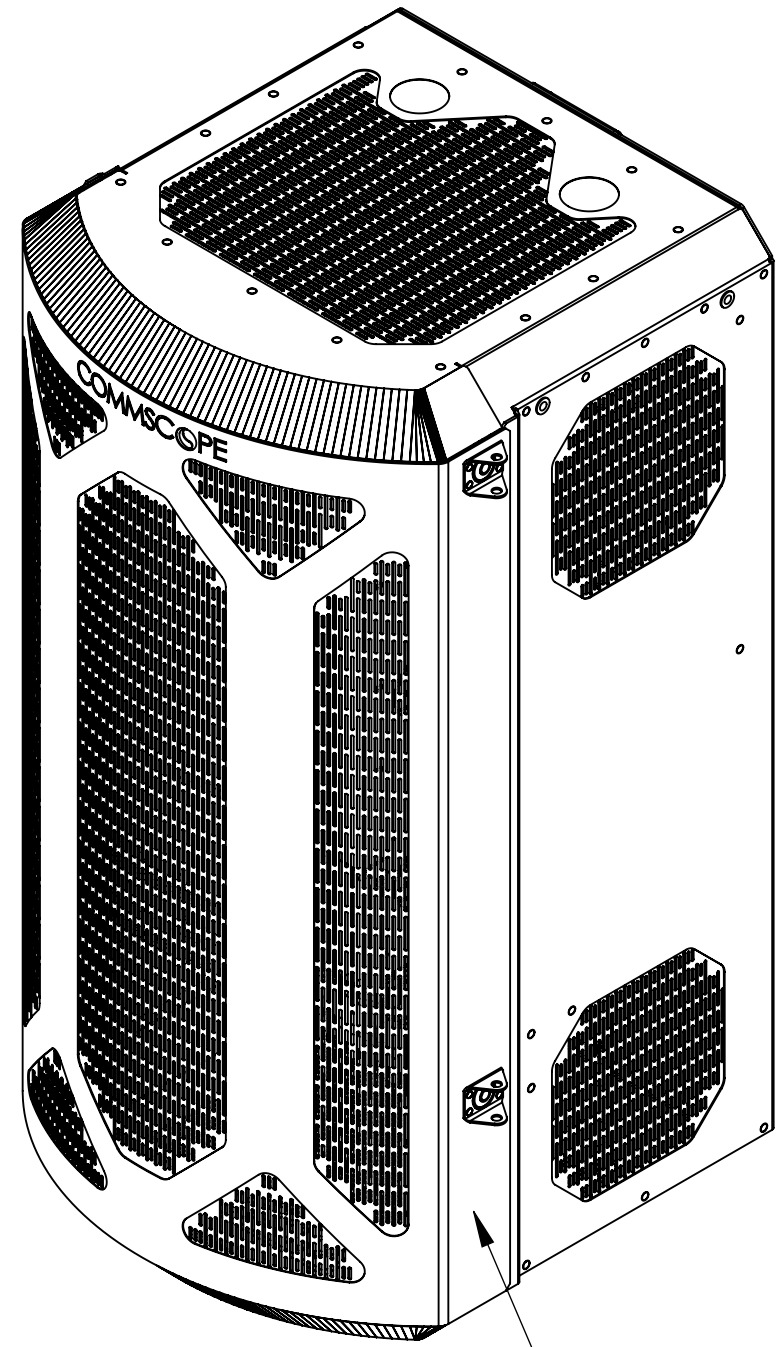
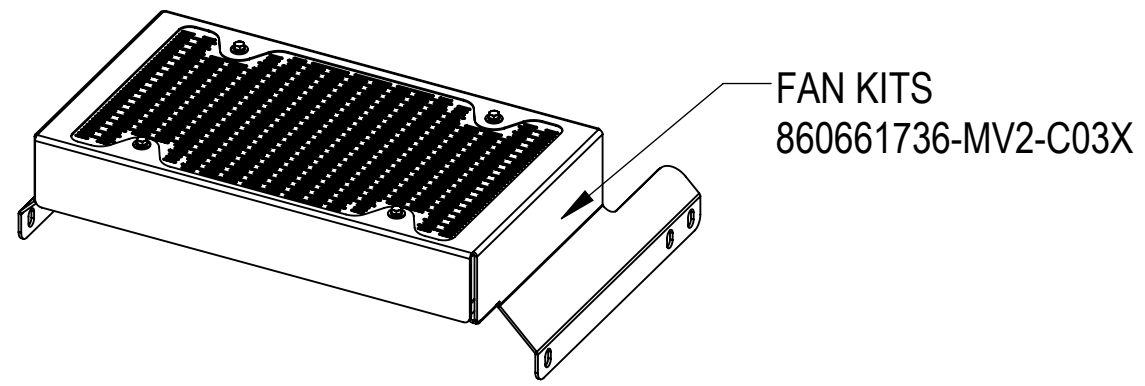
4

3

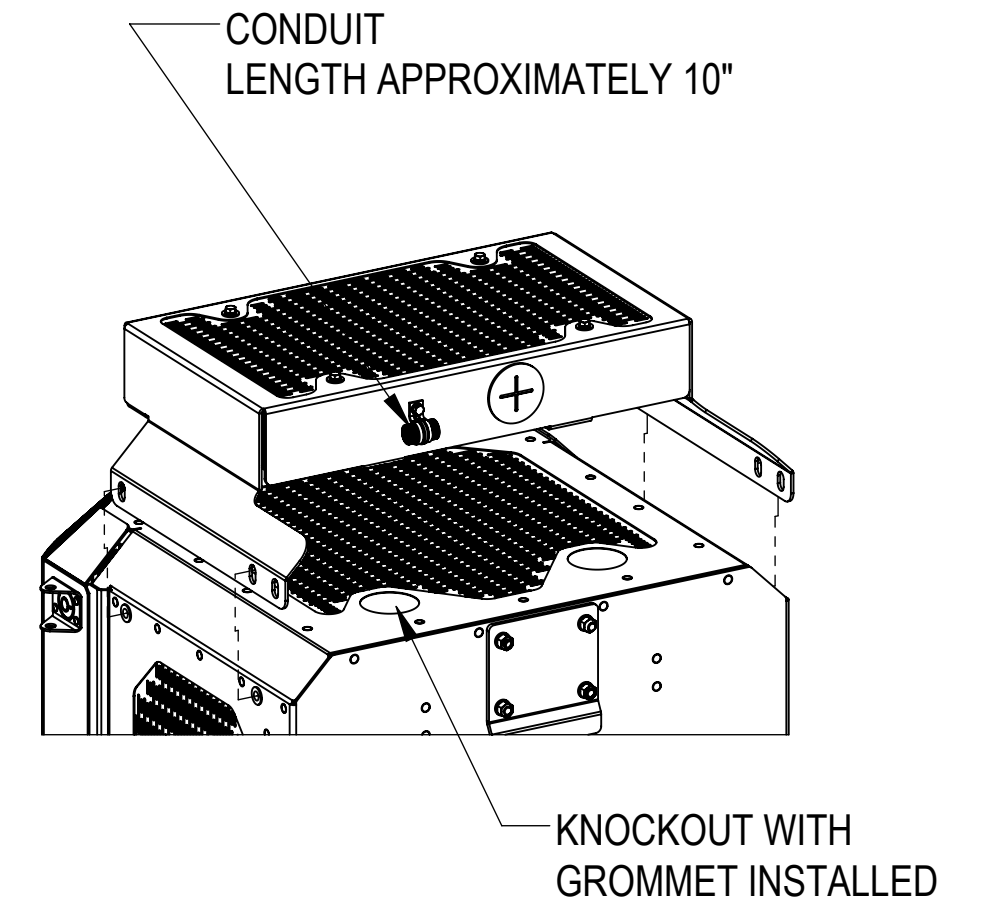
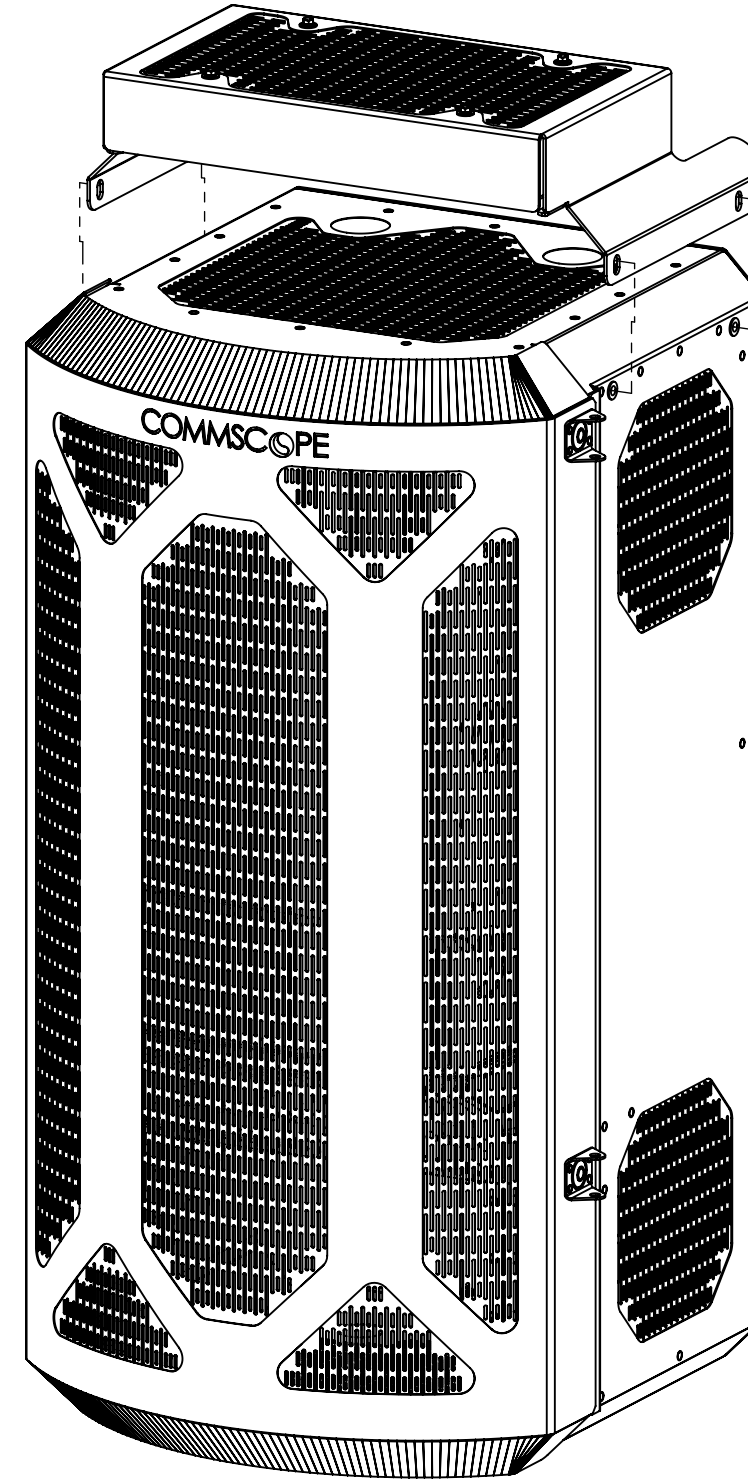
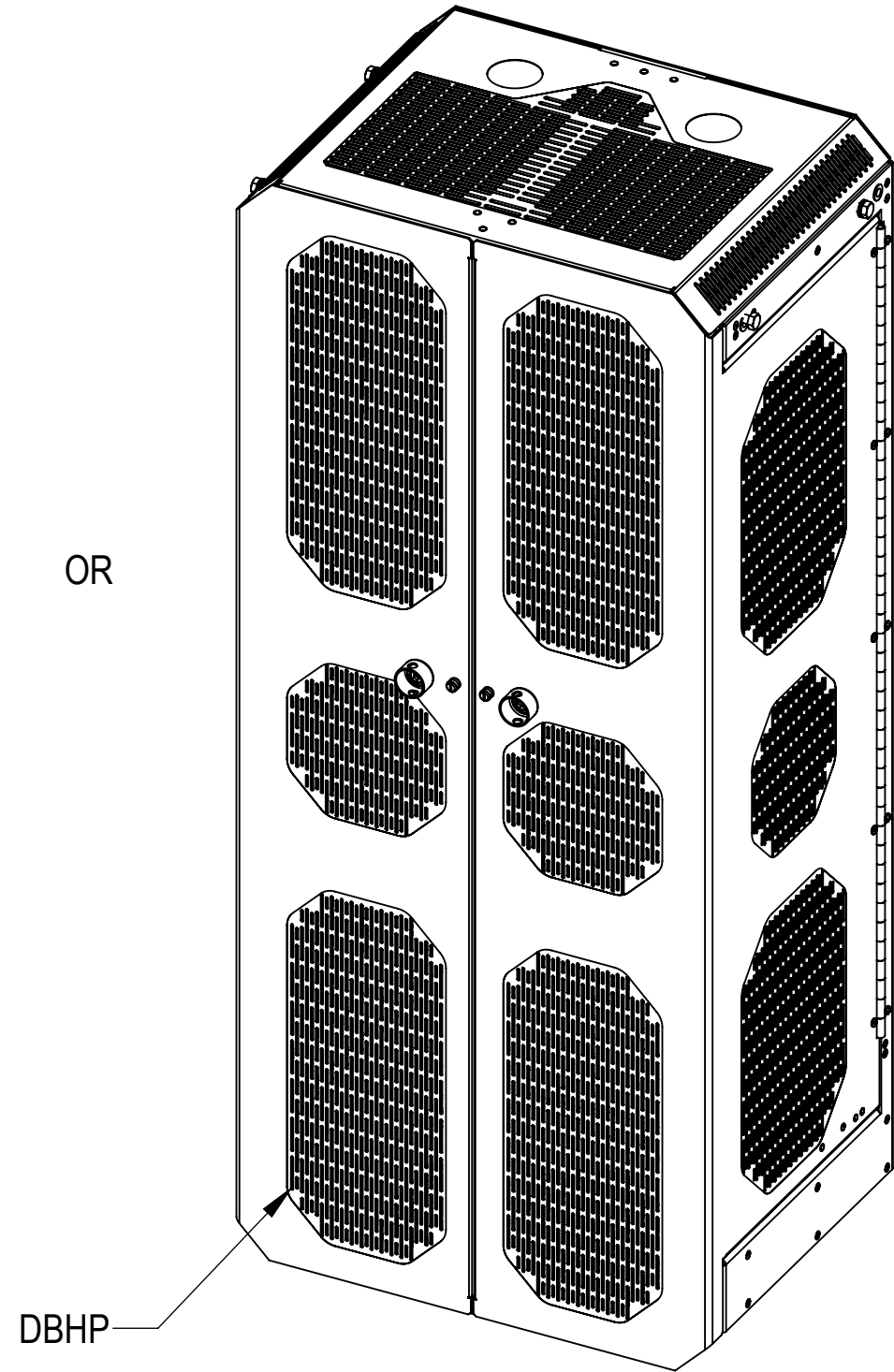
2

1

C1 - CONDUIT INSTALLATION



OR

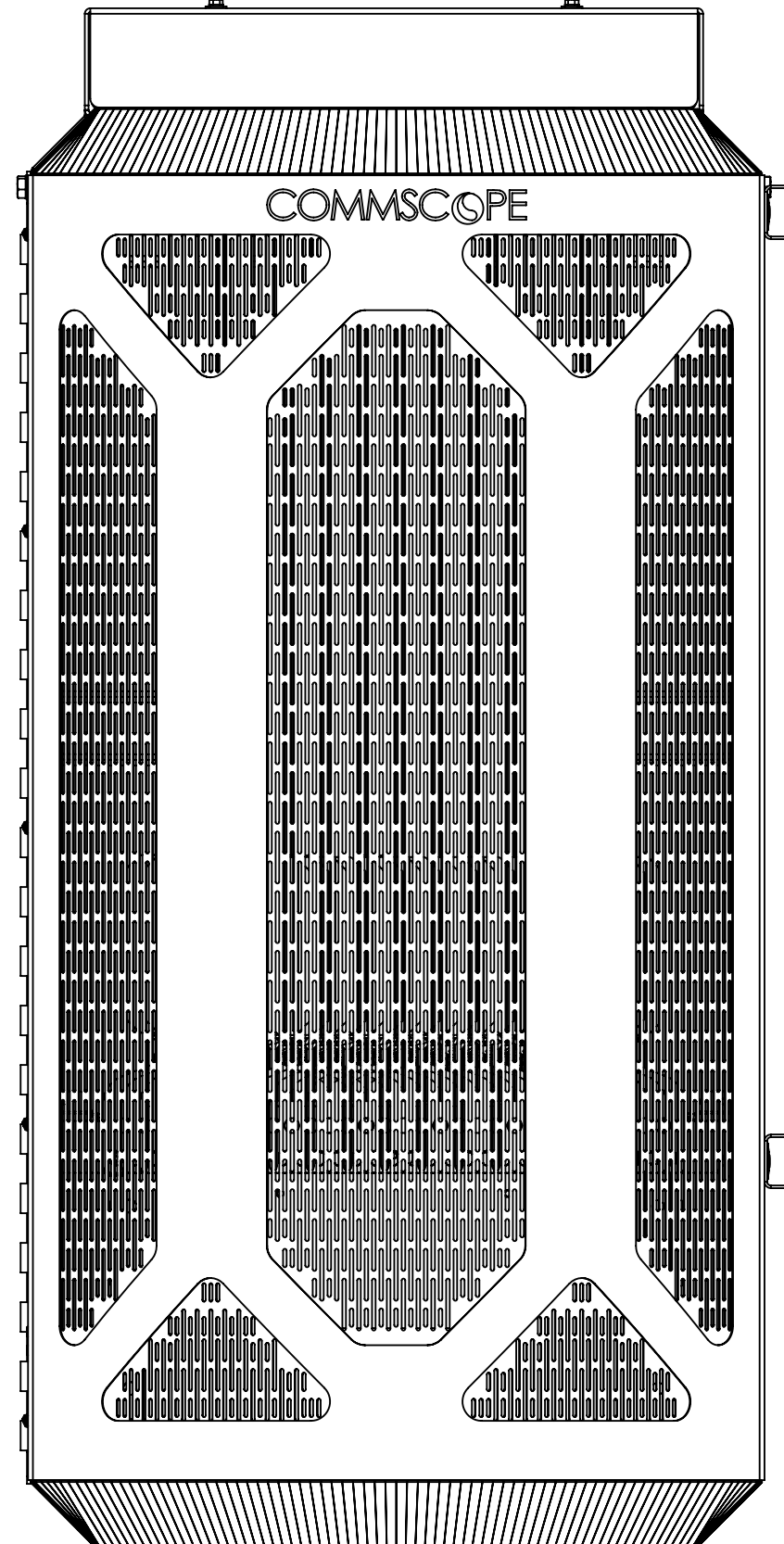
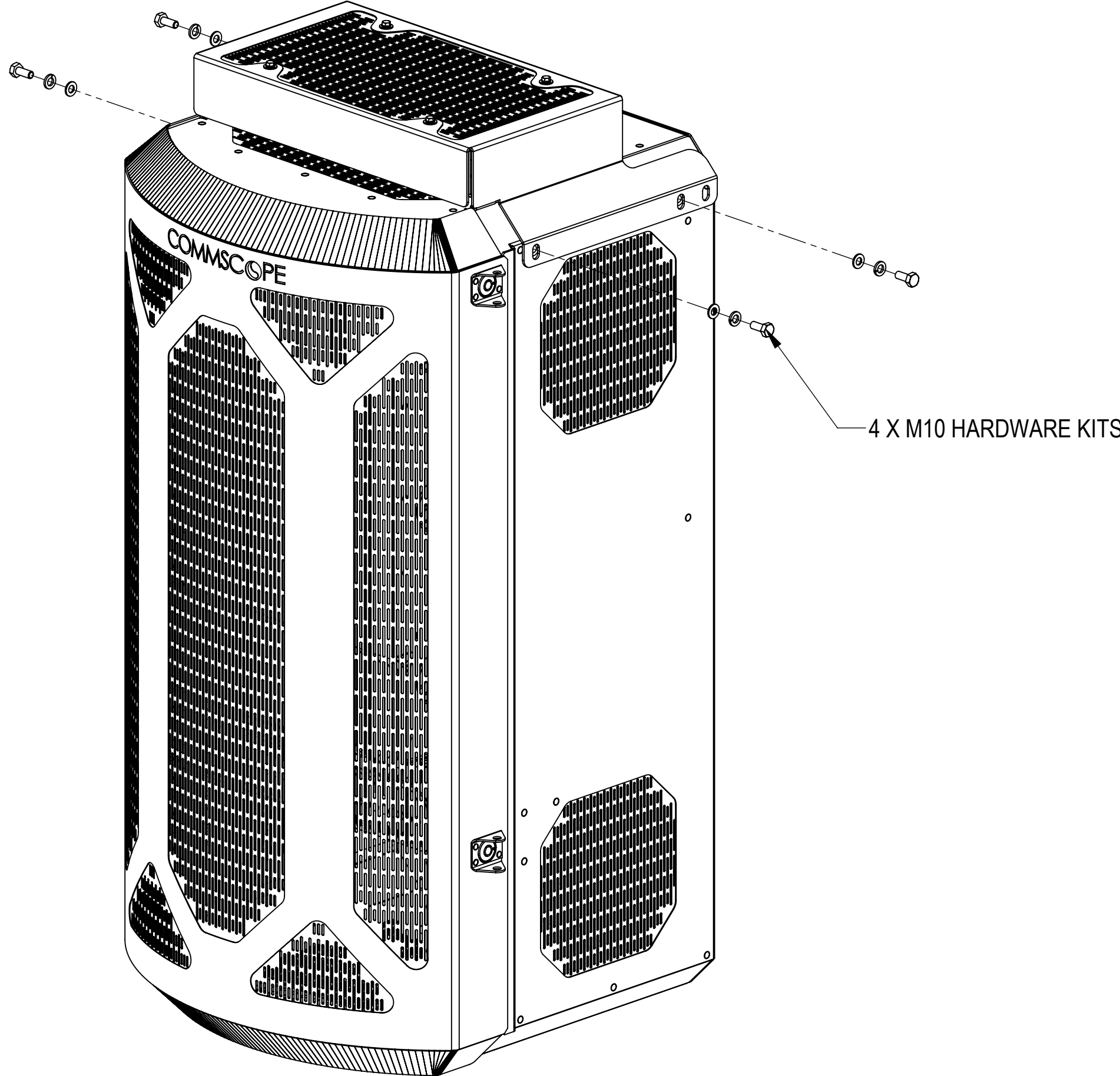


STEP 1
GET THE FAN KITS 860661736-MV2-C03X AND MV2 (OR DBHP) READY

STEP 2
CONDUIT THROUGH KNOCKOUT WITH GROMMET INSTALLED, SENSOR IS FIXED ABOUT 0.75" UNDER RRU, AC CABLE IS FIXED ALONG THE INNER WALL OF THE ENCLOSE

COMMSCOPE, INC. OF NORTH CAROLINA				
TITLE MV2&DBHP,FAN KITS,INSTALL				
SIZE C	SCALE 1:8	DOCUMENT NO. 860661736-MV2-C03-INSTALL		
		DRAWING		SHEET
		VERSION	STATUS	REVISION
		00	RE	A
				2 OF 6

C1 - CONDUIT INSTALLATION

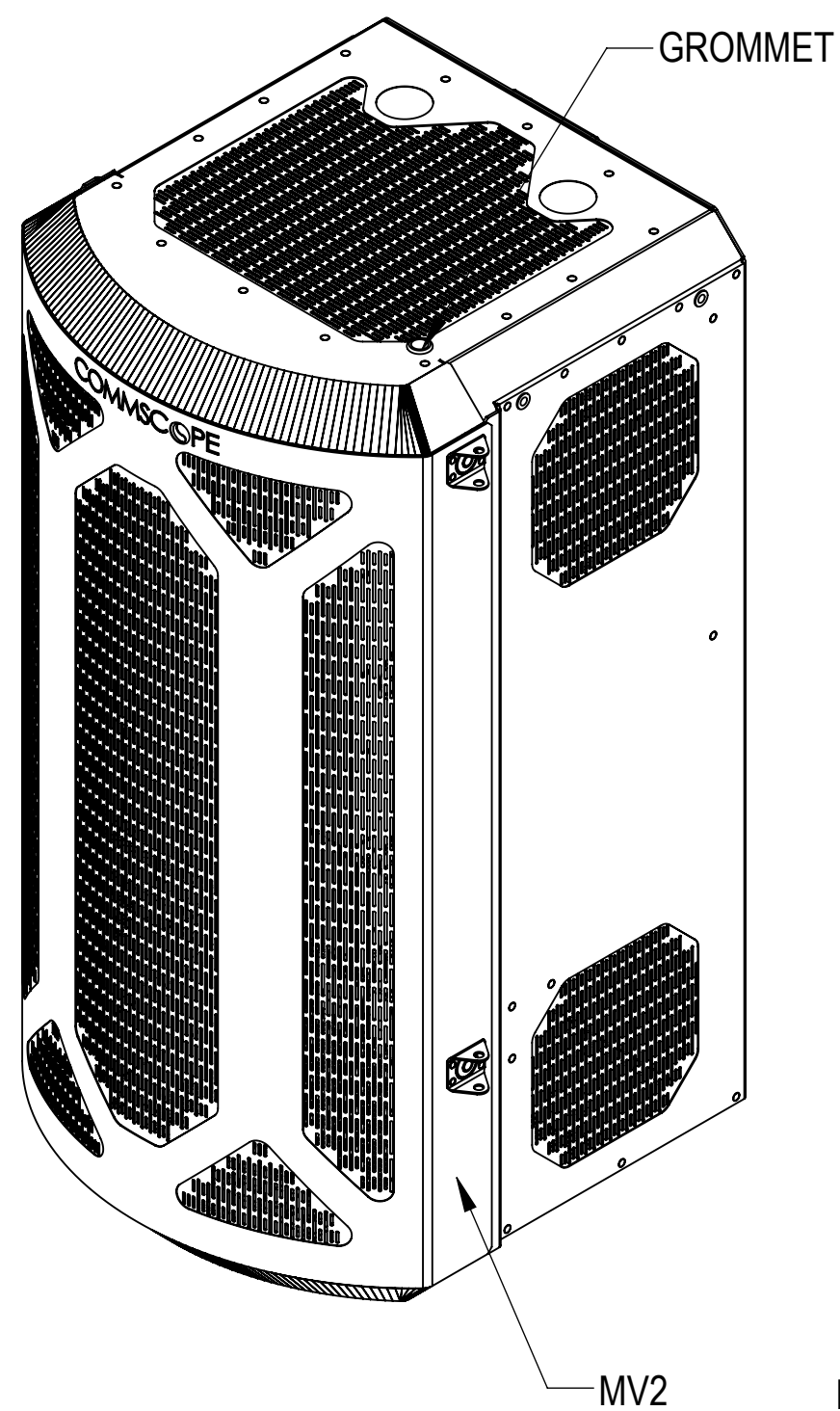
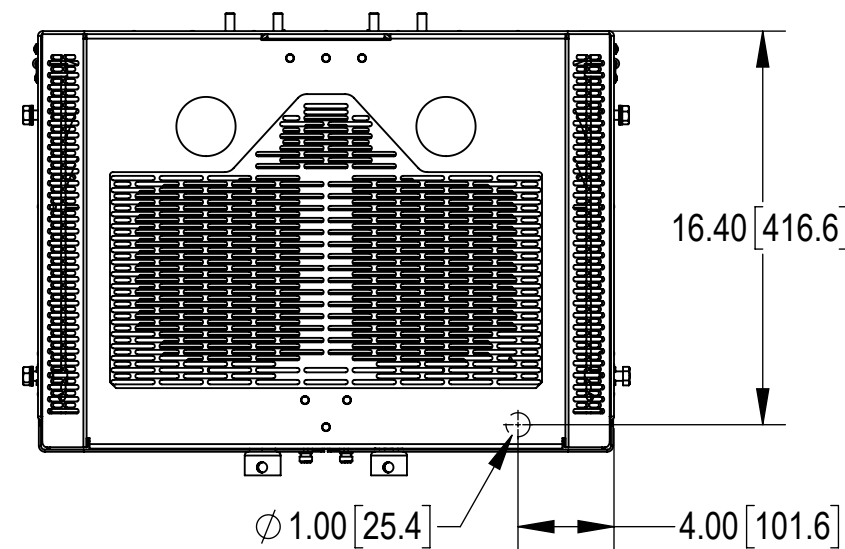
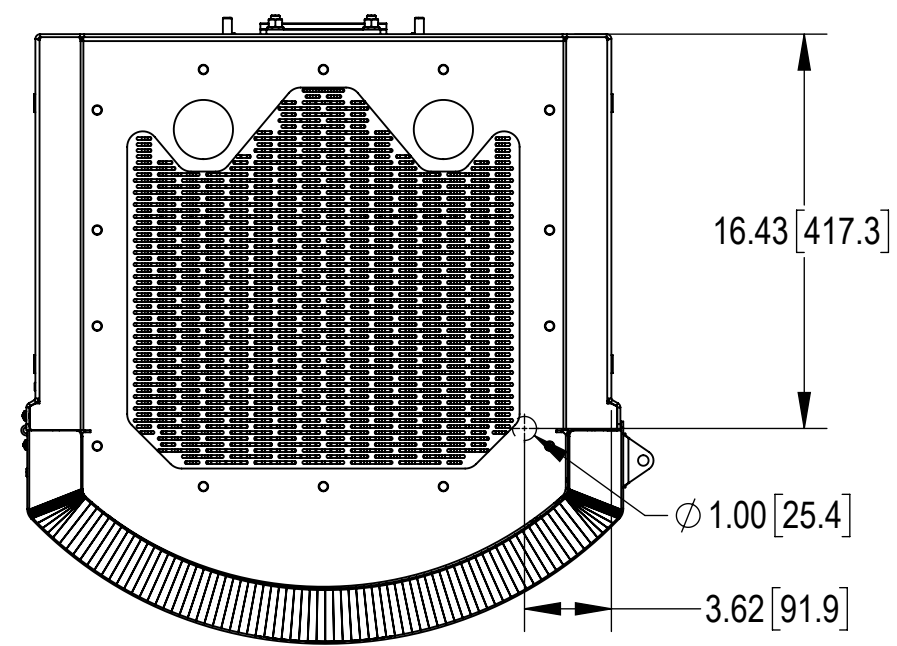


FINISHED PRODUCT

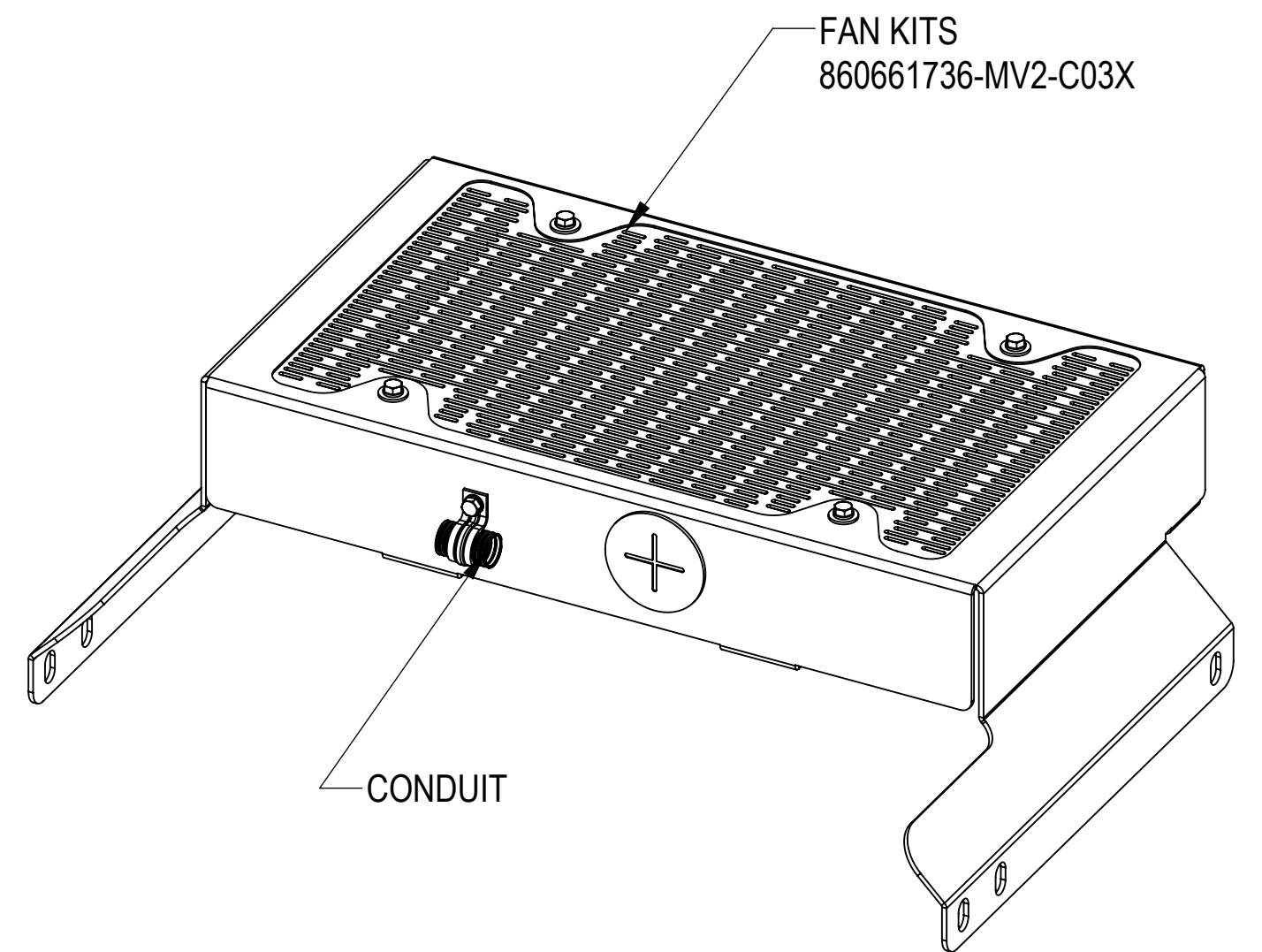
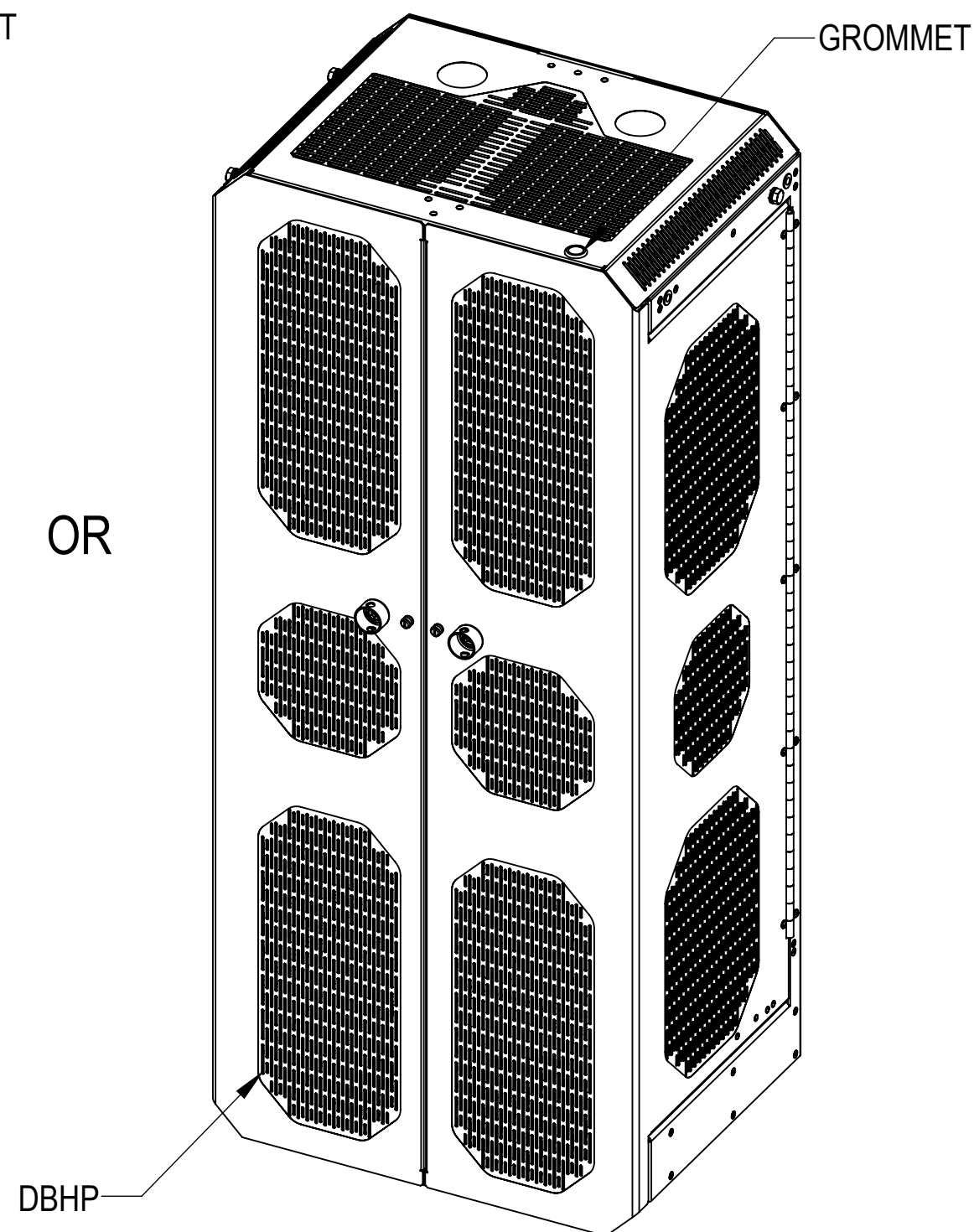
STEP 3
 INSTALL FAN KITS TO THE EQUIPMENT AND SECURE USING 4 SETS OF M10 HEX BOLTS, LOCK WASHERS AND FLAT WASHERS

COMMSCOPE, INC. OF NORTH CAROLINA				
TITLE				
MV2&DBHP,FAN KITS,INSTALL				
SIZE	SCALE	DOCUMENT NO.		
C	1:6	860661736-MV2-C03-INSTALL		
DRAWING				SHEET
VERSION	STATUS	REVISION	3 OF 6	
00	RE	A		

C2 - DRILLING INSTALLATION



OR

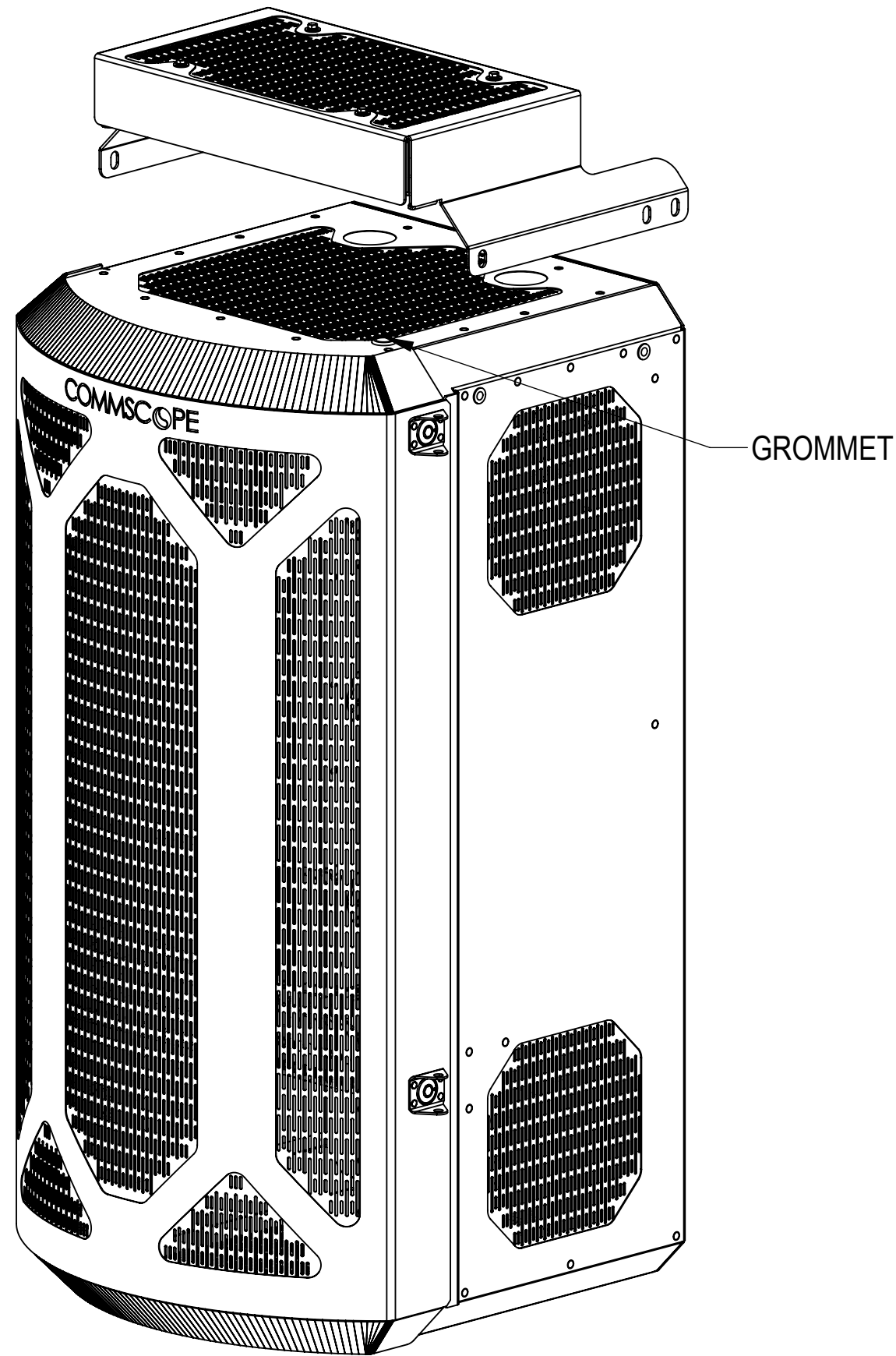


STEP 2
 REMOVE THE CONDUIT FROM FAN KITS

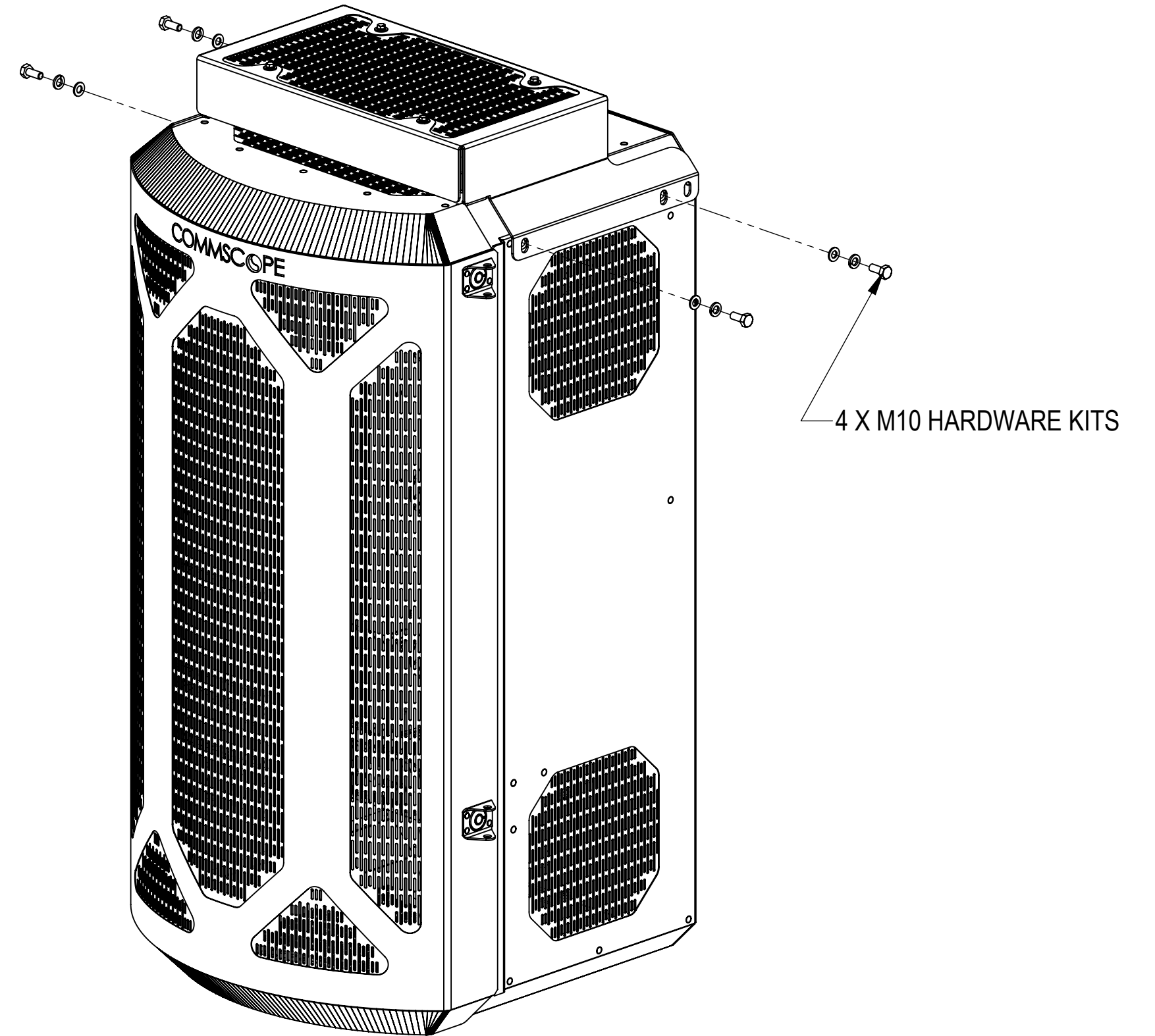
STEP 1
 GET MV2 (OR DBHP) READY
 DRILL 1" ϕ HOLE ON SITE ACCORDING TO THE LOCATION SHOWN ON THE MV2 (OR DBHP)
 PUT THE GROMMET INTO HOLE

COMMSCOPE, INC. OF NORTH CAROLINA				
TITLE MV2&DBHP,FAN KITS,INSTALL				
SIZE C	SCALE 1:8	DOCUMENT NO. 860661736-MV2-C03-INSTALL		
		DRAWING		SHEET
		VERSION	STATUS	REVISION
		00	RE	A
				4 OF 6

C2 - DRILLING INSTALLATION



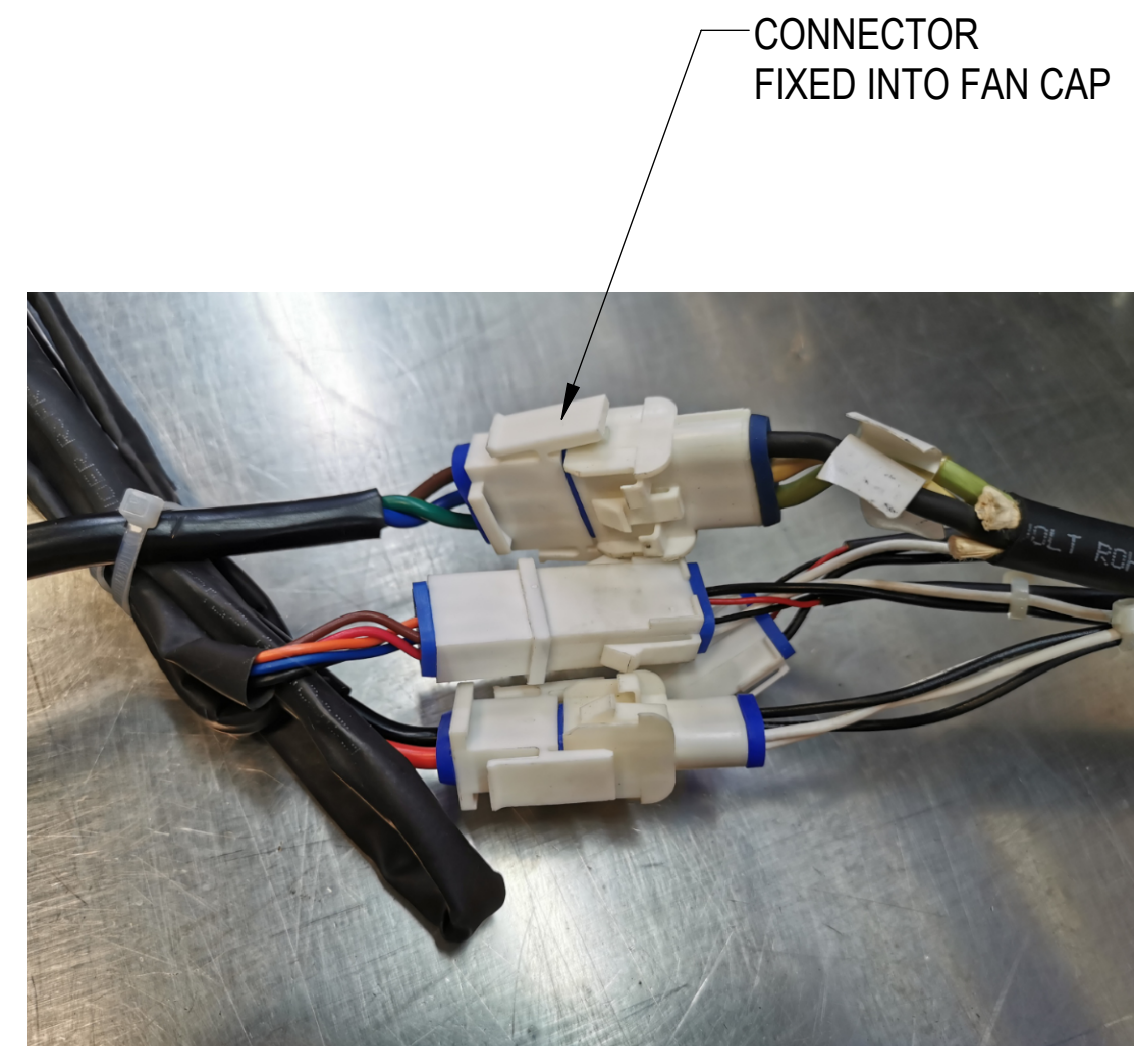
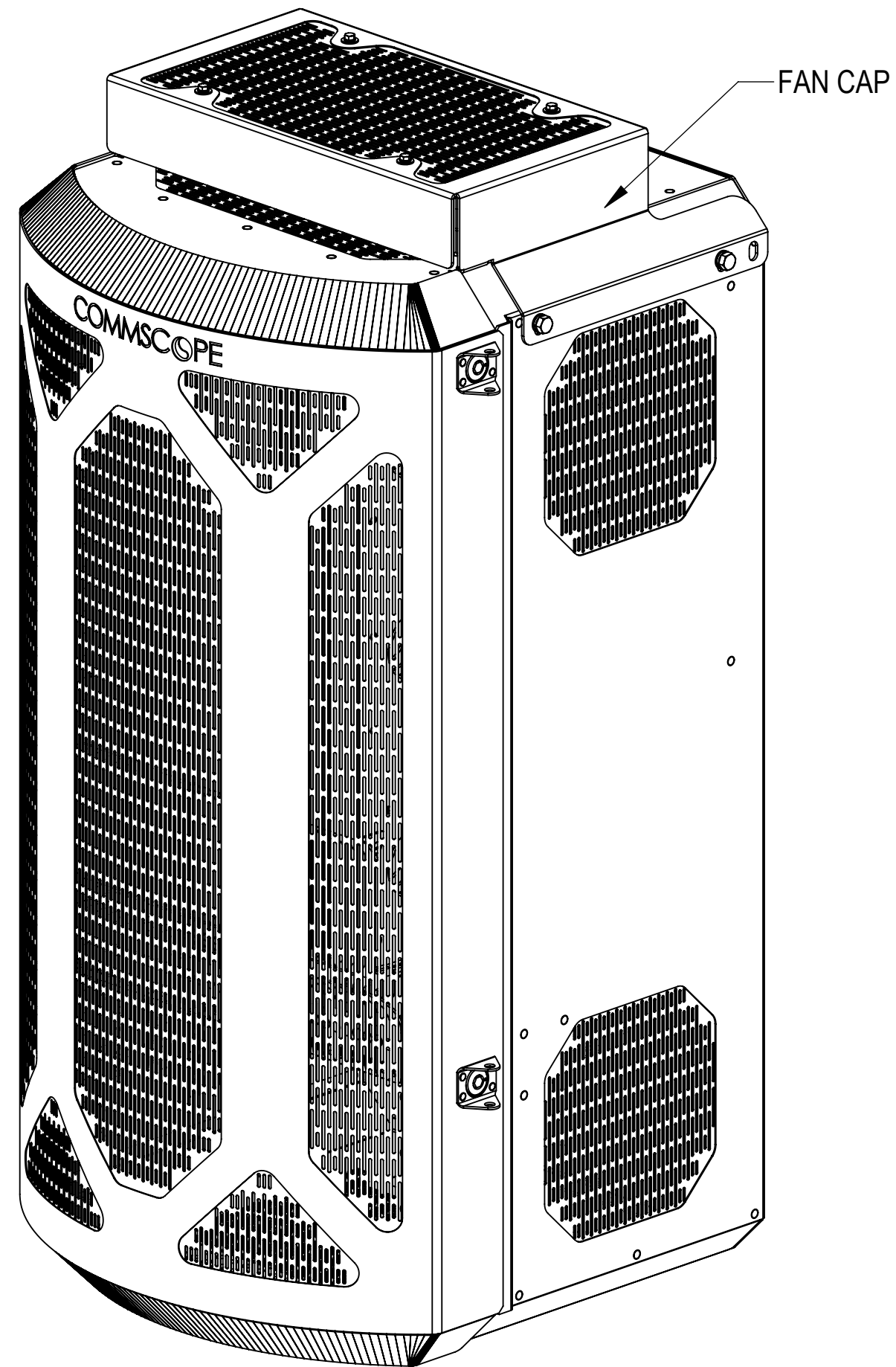
STEP3
 SENSOR AND AC CABLE THROUGH THE GROMMET, THE SENSOR IS FIXED ABOUT 0.75"
 UNDER RRU, THE AC CABLE IS FIXED ALONG THE INNER WALL OF THE ENCLOSER



STEP 4
 INSTALL FAN KITS TO THE EQUIPMENT AND SECURE USING 4 SETS OF M10 HEX
 BOLTS, LOCK WASHERS AND FLAT WASHERS

COMMSCOPE, INC. OF NORTH CAROLINA				
TITLE MV2&DBHP,FAN KITS,INSTALL				
SIZE C	SCALE 1:12	DOCUMENT NO. 860661736-MV2-C03-INSTALL		
DRAWING		VERSION	STATUS	REVISION
		00	RE	A
				SHEET 5 OF 6

FAN MAINTENANCE



LOOSEN M10 BOLTS, PULL OUT THE CONNECTOR, INSTALL THE NEW FAN

COMMSCOPE, INC. OF NORTH CAROLINA				
TITLE MV2&DBHP,FAN KITS,INSTALL				
SIZE C	SCALE 1:12	DOCUMENT NO. 860661736-MV2-C03-INSTALL		
DRAWING		VERSION	STATUS	REVISION
		00	RE	A
				SHEET 6 OF 6