

4

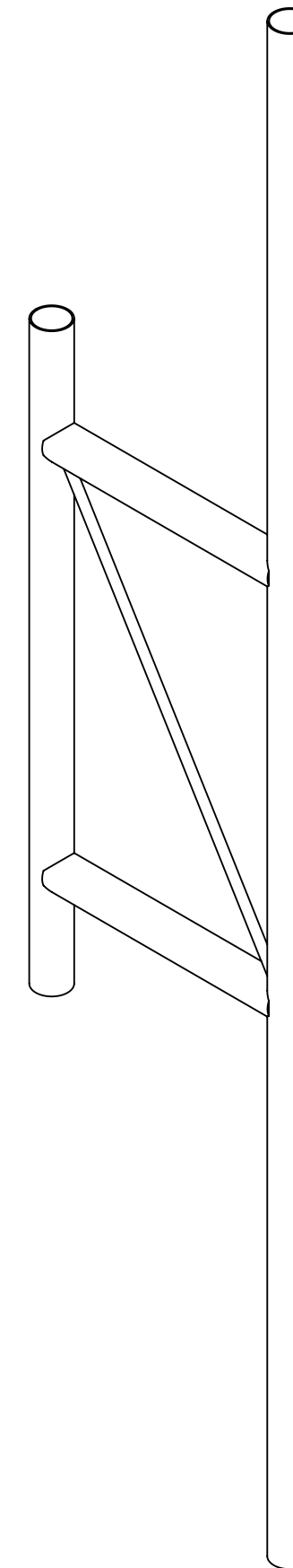
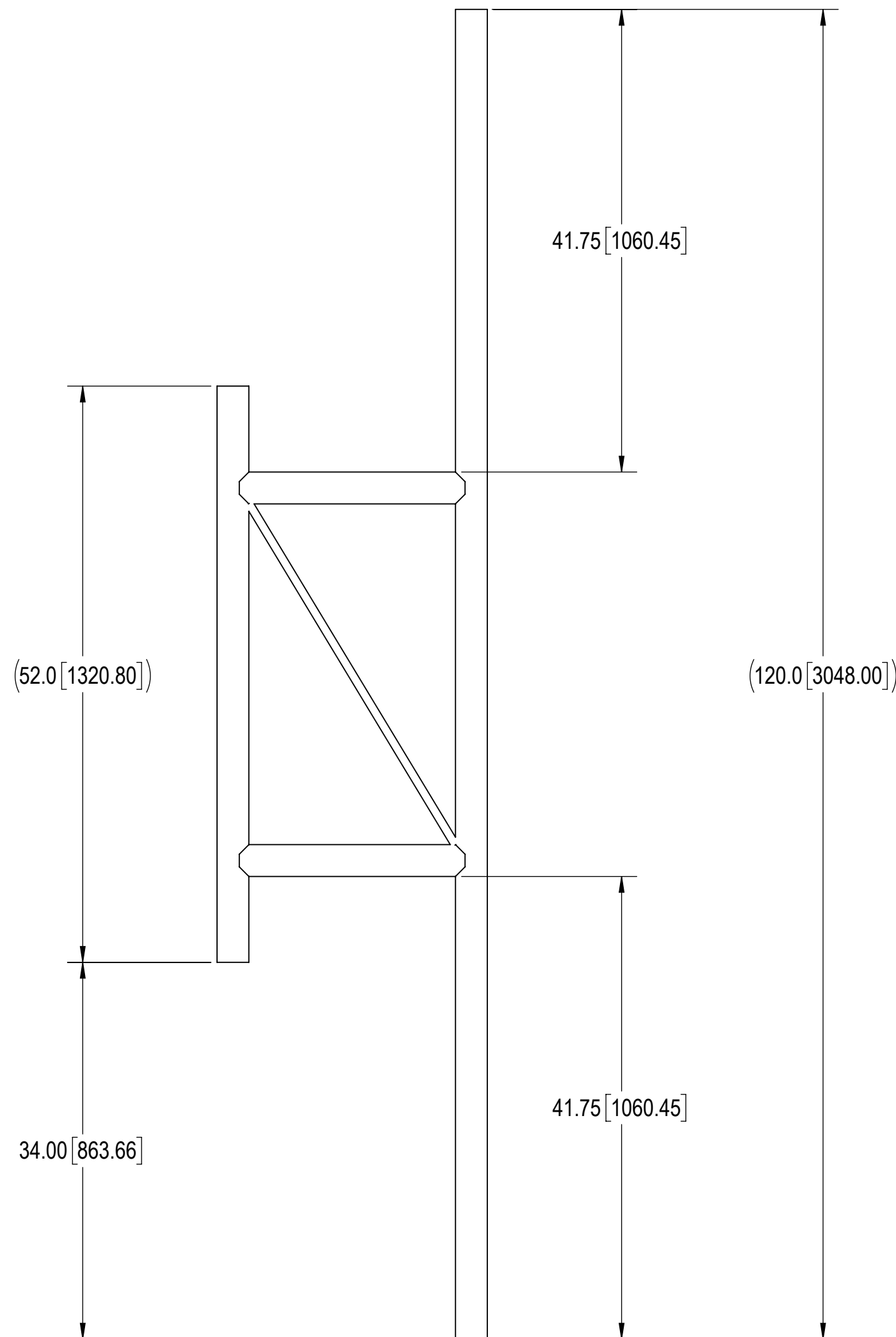
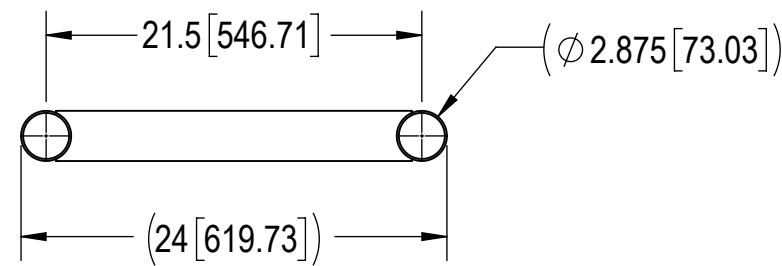
3

2

1

- 1.0 GENERAL NOTES
  - 1.1 ALL METRIC DIMENSIONS ARE IN BRACKETS [X.X]
  - 1.2 FEATURES CRITICAL TO QUALITY ARE INDICATED IN ROUNDED BOX (X.X)
  - 1.3 3D DIGITAL FILES ARE FOR REFERENCE. IN CASE OF CONFLICT FOLLOW PDF DRAWING
- 2.0 DESIGN NOTES
- 3.0 MANUFACTURING/SPECIAL REQUIREMENTS
  - 3.1 BREAK SHARP EDGES AND DEBURR PART FOR SAFE HANDLING
  - 3.2 GALVANIZE PER ASTM A123
  - 3.3 MARK WITH PART NUMBER, REVISION, AND VENDOR ID WITH ETCH, STAMP OR LABEL. CHARACTERS TO BE 0.12" TO 0.24" HIGH AND LEGIBLE TO THE UNAIDED EYE.
- 4.0 TEST
- 5.0 PACKAGING
  - 5.1 PACKAGING SHALL MEET COMMSCOPE REQUIREMENTS PER DOCUMENT IS-PL-3005

REVISIONS			
REV.	DESCRIPTION	DATE	APPROVED
A	INITIAL RELEASE	YMENG 05AUG24	BA1025 40201651CMO
B	UPDATED NOTES AND REMOVED BARE LEVEL	YMENG 14AUG24	BA1025 40202145CMO



<b>COMMSCOPE, INC. OF NORTH CAROLINA</b>									
TOLERANCES					SAP MATERIAL MASTER				
1 PLACE .X[X] ± 0.2[6.3]			3 PLACE .XXX[X] ± 0.060[1.5]		<b>P-200-HD</b>				
2 PLACE .XX[X] ± 0.12[3.0]			ANGLES ± 2°						
FINISH GALV A123					MATERIAL A500, A529				
UNLESS OTHERWISE SPECIFIED DIMENSIONS ARE IN INCHES INTERPRET PER ANSI Y 14.3M-1994	NAME		DATE		<b>PANEL ANT STANDOFF BRK 24" 2-7/8" PIPE</b>				
	CE	YMENG	05AUG24						
	RW	YMENG	08/13/2024						
	AD	BA1025	08/15/2024						
	RE	YMENG	08/15/2024						
ECN 40202145CMO					<b>1:16</b>		<b>P-200-HD</b>		
SIZE	Auth Group	INSL	MODEL			DRAWING			
<b>C</b>			VERSION	STATUS	REVISION	VERSION	STATUS	REVISION	SHEET
			00	RE	A	01	RE	B	1 OF 1

DENSITY		lbs/in <sup>3</sup>
MASS	66.47	lbs
VOLUME	234.88	in <sup>3</sup>
SURFACE AREA	3746.12	in <sup>2</sup>
HEIGHT	120"	
LENGTH	24"	
WIDTH	2.88"	