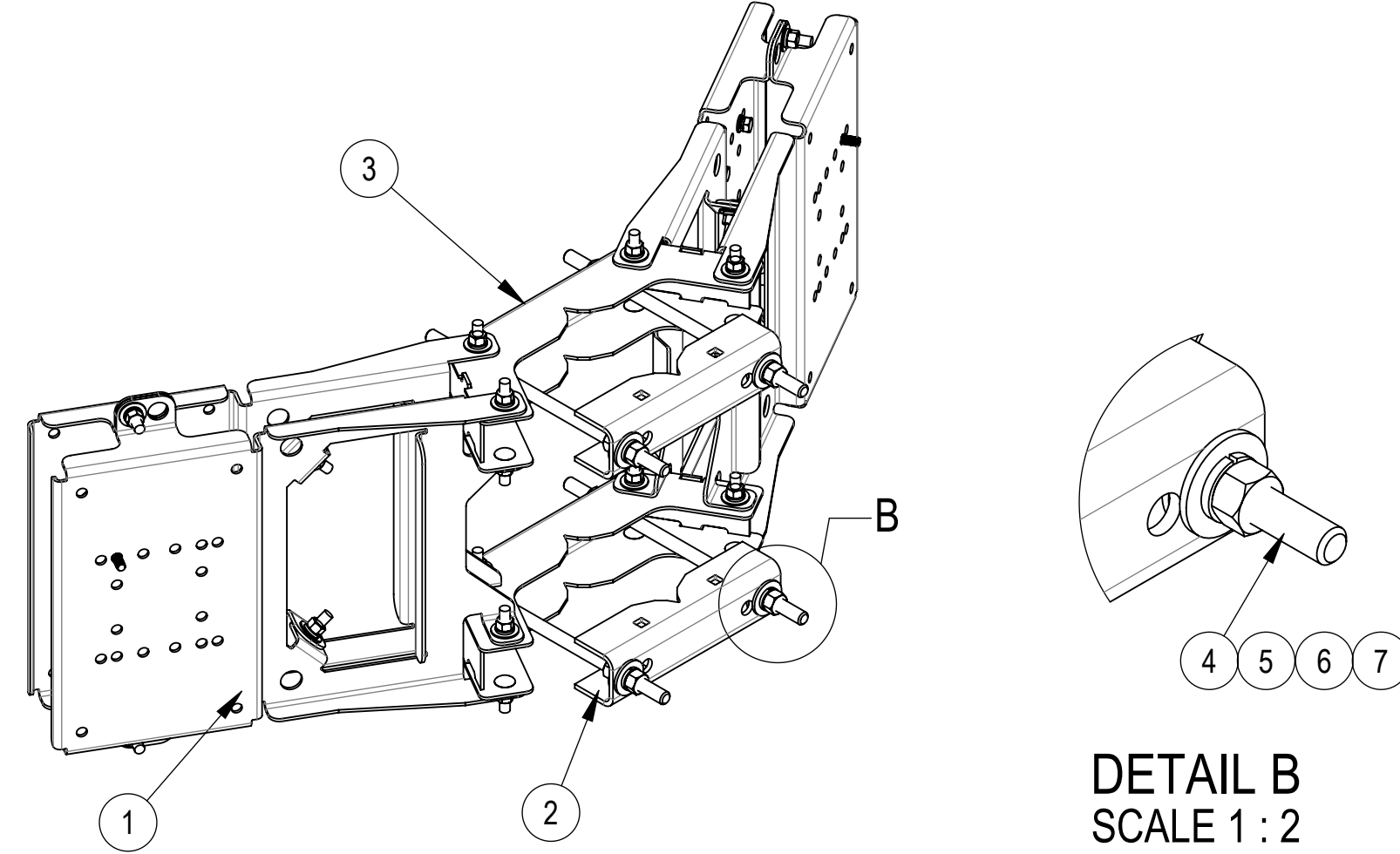
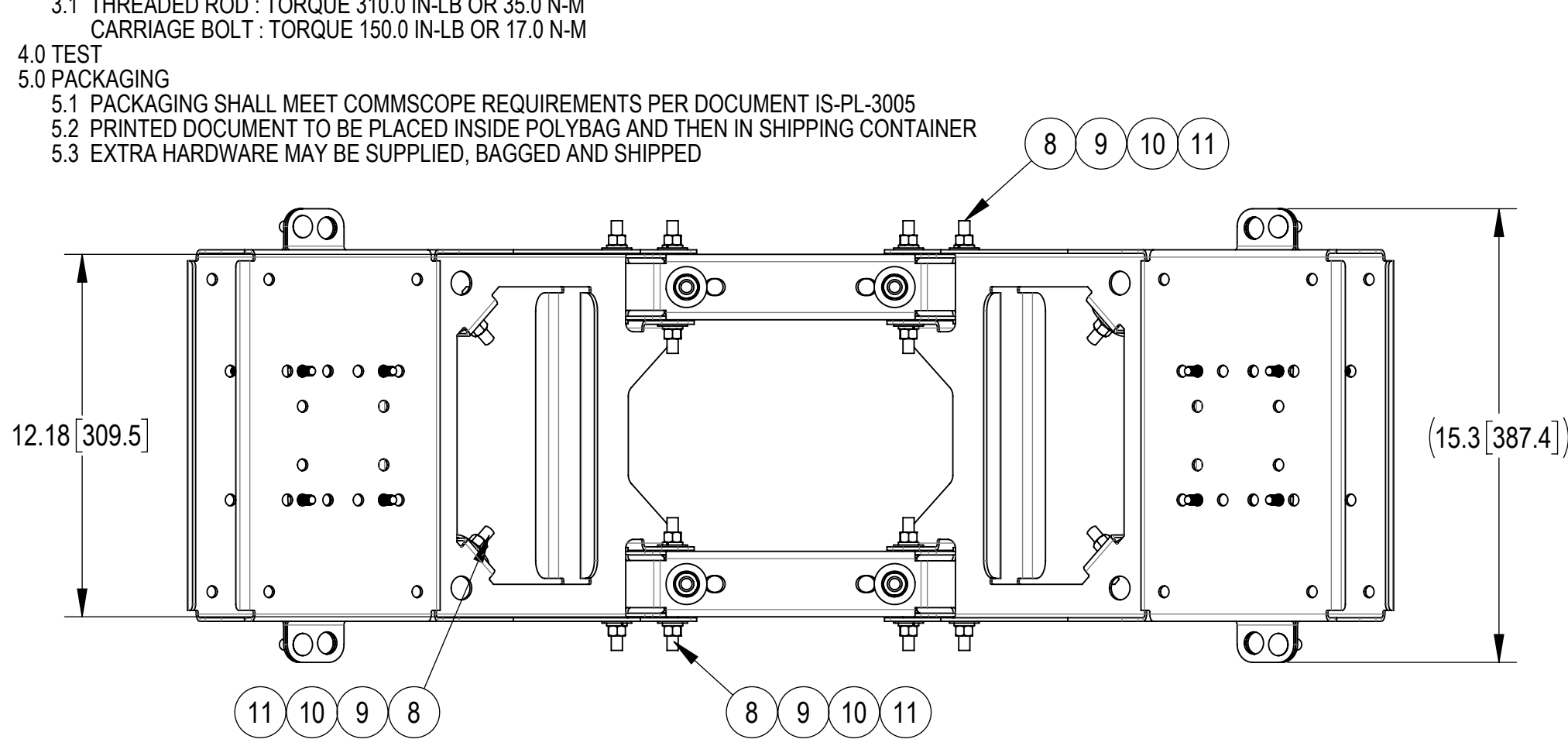


- 1.0 GENERAL NOTES
  - 1.1 ALL METRIC DIMENSIONS ARE IN BRACKETS [X. X]
  - 1.2 FOR PATENT INFO: <https://www.cs-pat.com>
- 2.0 DESIGN NOTES
  - 2.1 MAXIMUM EQUIPMENT WEIGHT PER MOUNTING BRACKET = 50KG (110 LB)
  - 2.2 BOLTS/NUTS/WASHERS USE TO ATTACH INTERFACE BRACKET TO RADIO ARE TO BE PER RADIO MANUFACTURERS SPECIFICATIONS INCLUDING TORQUE.
- 3.0 MANUFACTURING/SPECIAL REQUIREMENTS
  - 3.1 THREADED ROD : TORQUE 310.0 IN-LB OR 35.0 N-M
  - CARRIAGE BOLT : TORQUE 150.0 IN-LB OR 17.0 N-M
- 4.0 TEST
- 5.0 PACKAGING
  - 5.1 PACKAGING SHALL MEET COMMSCOPE REQUIREMENTS PER DOCUMENT IS-PL-3005
  - 5.2 PRINTED DOCUMENT TO BE PLACED INSIDE POLYBAG AND THEN IN SHIPPING CONTAINER
  - 5.3 EXTRA HARDWARE MAY BE SUPPLIED, BAGGED AND SHIPPED

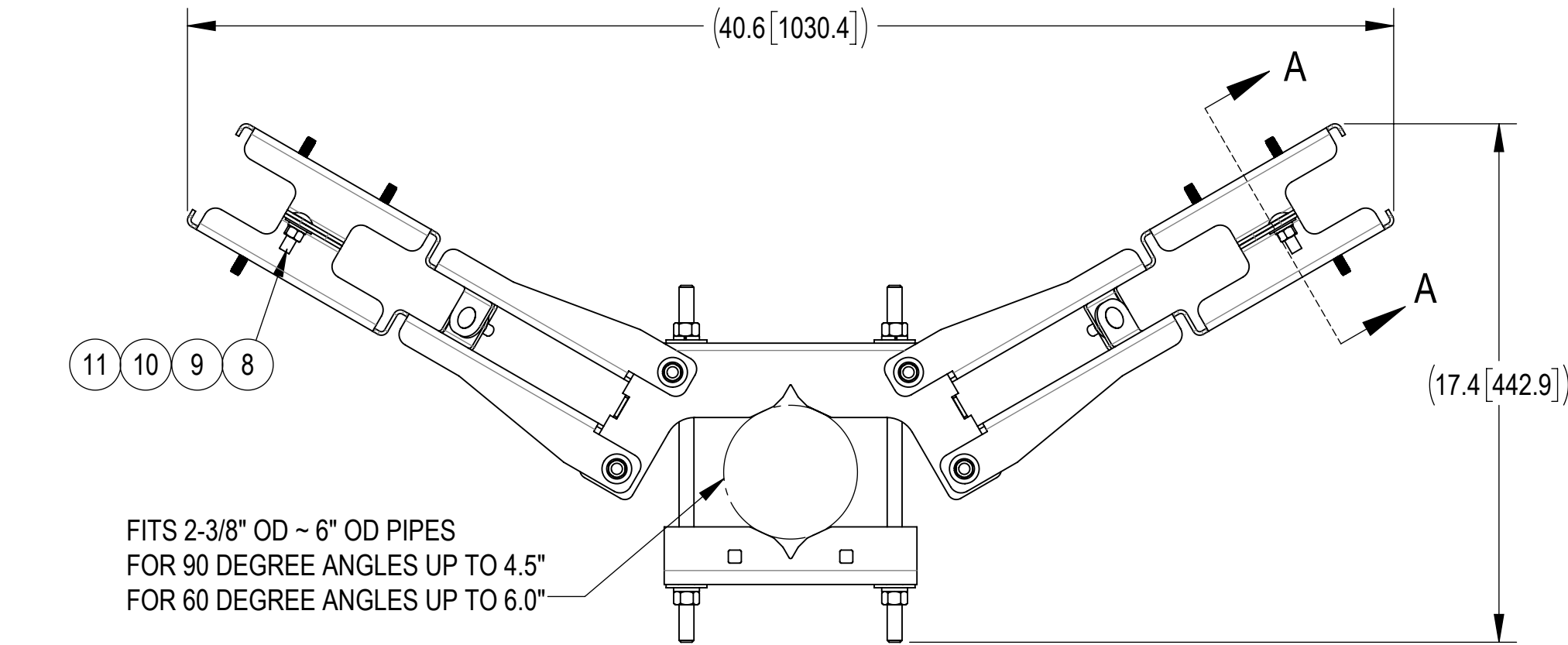
REVISIONS			
REV.	DESCRIPTION	DATE	APPROVED
A	INITIAL RELEASE	NSUN 24AUG24	YZ1080 40202740CMO

D

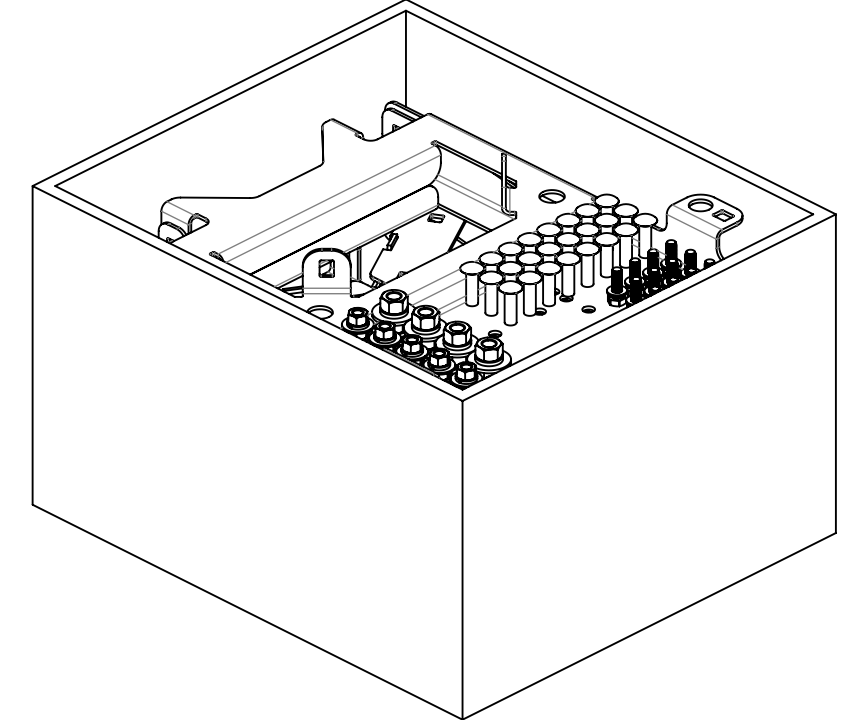
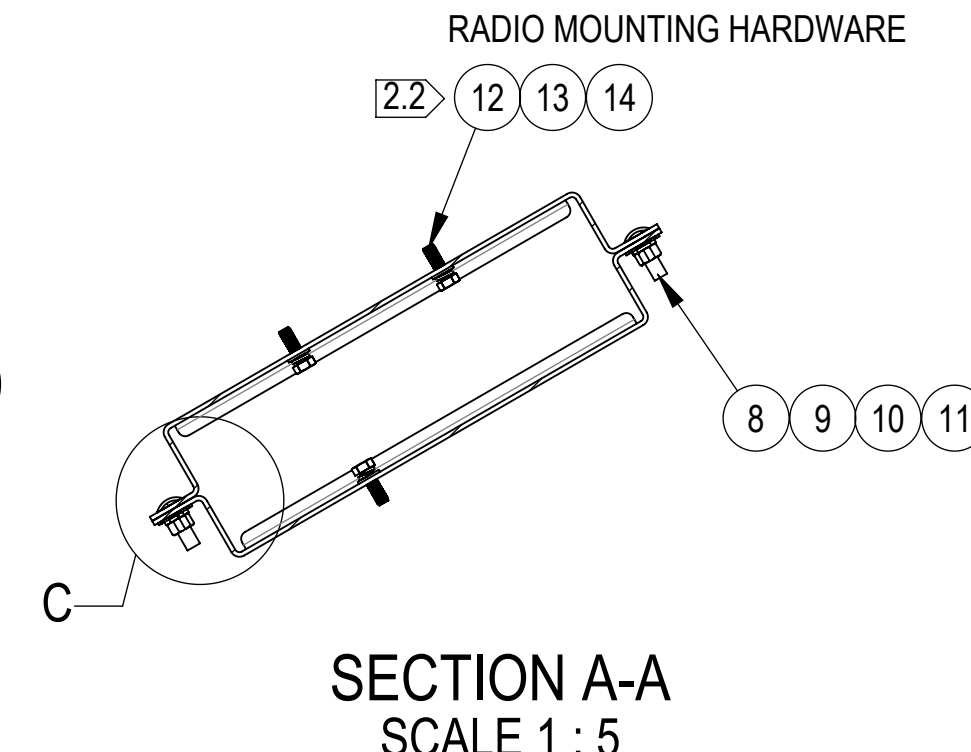


D

C



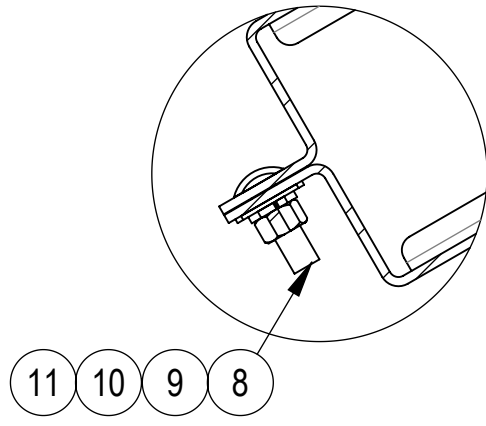
C



B

COMPONENT PART NUMBERS PROVIDED FOR ASSEMBLY PURPOSES;  
INDIVIDUAL COMPONENTS MAY BE SHIPPED AS PARTS WITHIN AN INCLUDED KIT.

ITEM	PART NO.	DESCRIPTION	QTY.	WEIGHT	NOTE NO.
1	MTC378905-00	BRACKET, RRU MOUNTING, RR-FAX	4	7.415 LBS	
2	MTC378904-00	CLAMP FOR FA4, GALV	2	2.23 LBS	
3	MTC378907-00	CLAMP FOR APEX4	2	3.47LBS	
4	MT-379	1/2" X 12" GALV THREADED ROD	4	0.66 LBS	
5	GWF-04	1/2" GALV FLAT WASHER	12	0.04 LBS	
6	GWL-04	1/2" GALV LOCK WASHER	12	0.01 LBS	
7	GN-04	1/2" GALV HEX NUT	12	0.04 LBS	
8	MTC8196	3/8 X 1-1/4" CARRIAGE BOLT	24	0.052 LBS	
9	GWF-03	3/8" GALV FLAT WASHER	24	0.01 LBS	
10	GWL-03	3/8" GALV LOCK WASHER	24	0.01 LBS	
11	GN-03	3/8" GALV HEX NUT	24	0.02 LBS	
12	MTC9415	M8 X 25mm HEX BOLT SS	16	0.032 LBS	
13	MTC9419	M8 FLAT WASHER SS	16	0.00 LBS	
14	MTC9418	M8 LOCK WASHER SS	16	0.002 LBS	



DETAIL C  
SCALE 2 : 5

PROPERTY	VALUE	UNIT
DENSITY	47.34	lbs/in <sup>3</sup>
MASS	47.34	lbs
VOLUME	166.65	in <sup>3</sup>
SURFACE AREA	2785.19	in <sup>2</sup>
HEIGHT	11.0"	
LENGTH	18.0"	
WIDTH	15.5"	

<b>COMMSCOPE, INC. OF NORTH CAROLINA</b>									
TOLERANCES					SAP MATERIAL MASTER				
1 PLACE .X[X] ± 0.25[6.3]			3 PLACE .XXX[X] ± 0.06[1.5]		<b>RR-APEX4-E</b>				
2 PLACE .XX[X] ± 0.12[3.0]			ANGLES ± 2°						
FINISH					MATERIAL				
RRH MOUNT, ERICSSON, 4-RADIOS									
SCALE <b>1:6</b>		DOCUMENT NO. <b>RR-APEX4-E</b>							
SIZE		Auth Group		INSL		MODEL		DRAWING	
<b>C</b>		00		RE		B		00	
VERSION		STATUS		REVISION		VERSION		STATUS	
00		RE		B		00		RE	
REVISION		REVISION		REVISION		REVISION		REVISION	
A		A		A		A		A	
SHEET 1 OF 7									

A

4

3

2

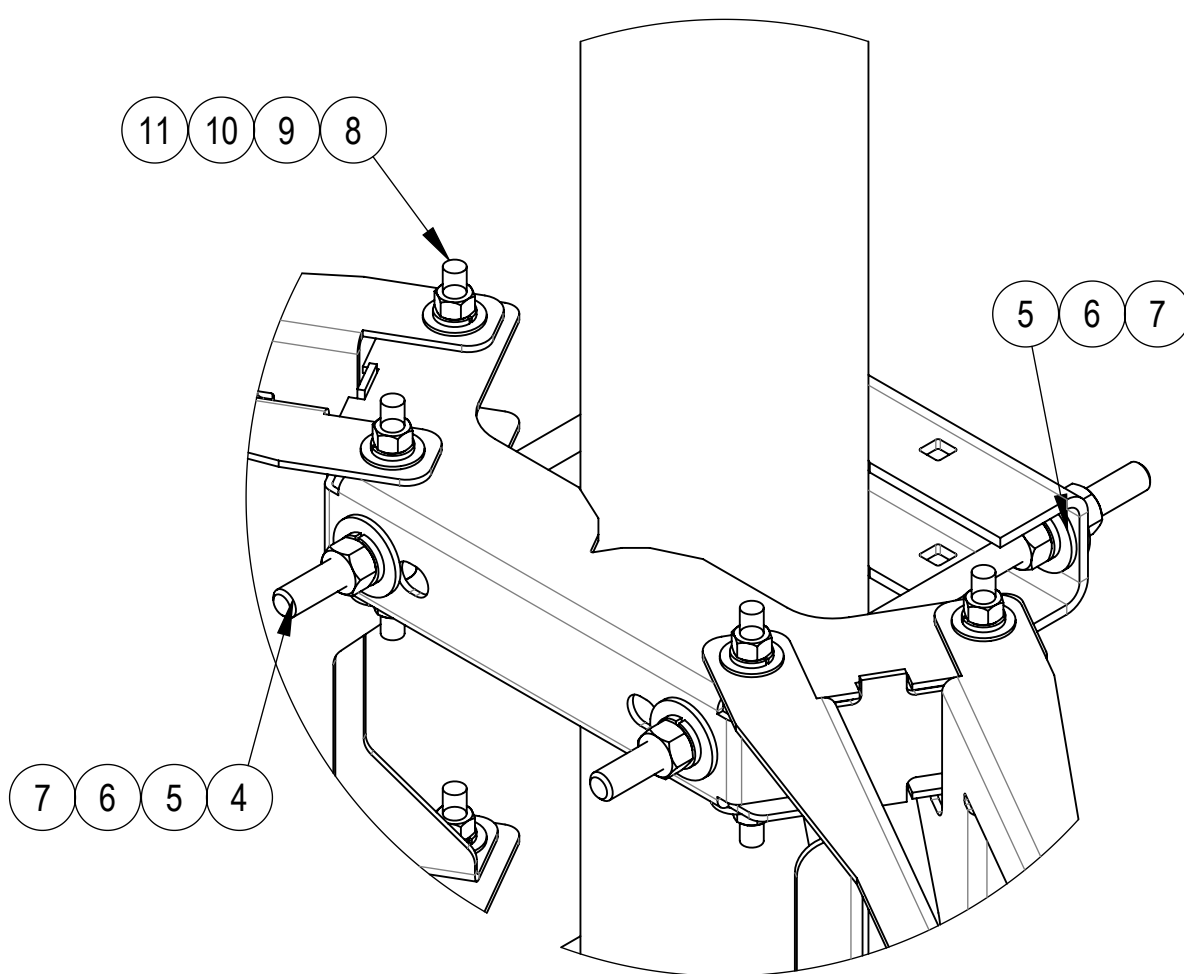
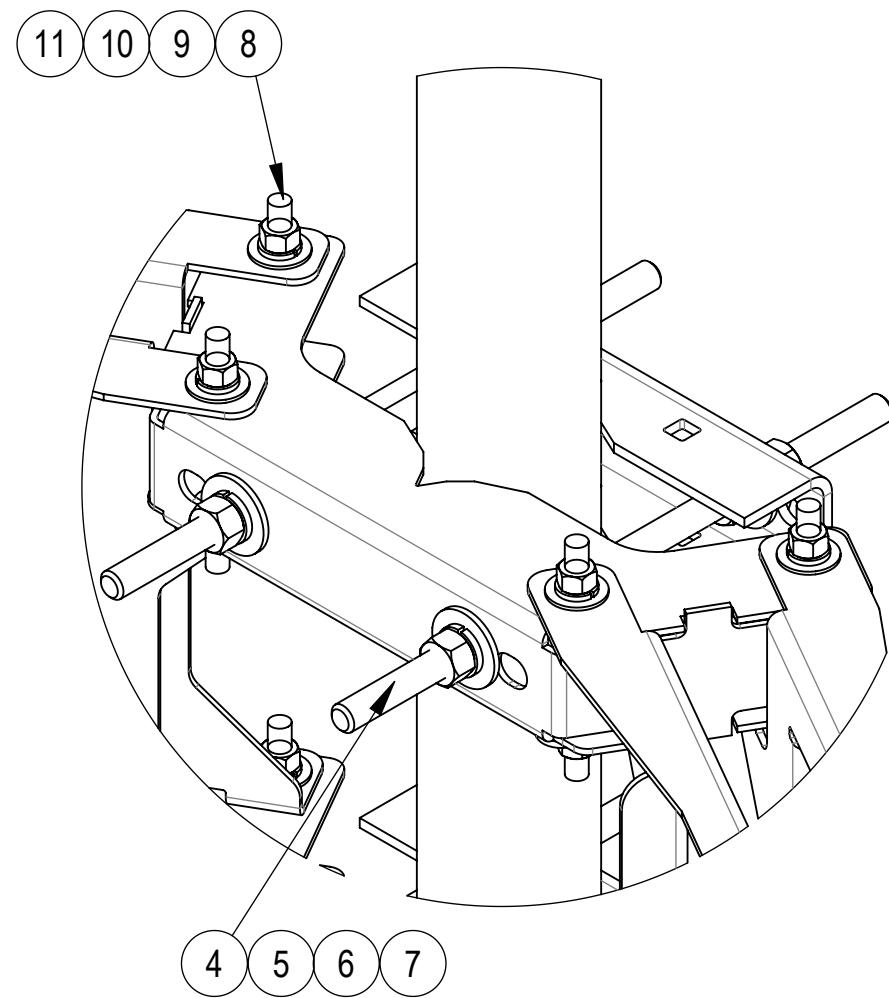
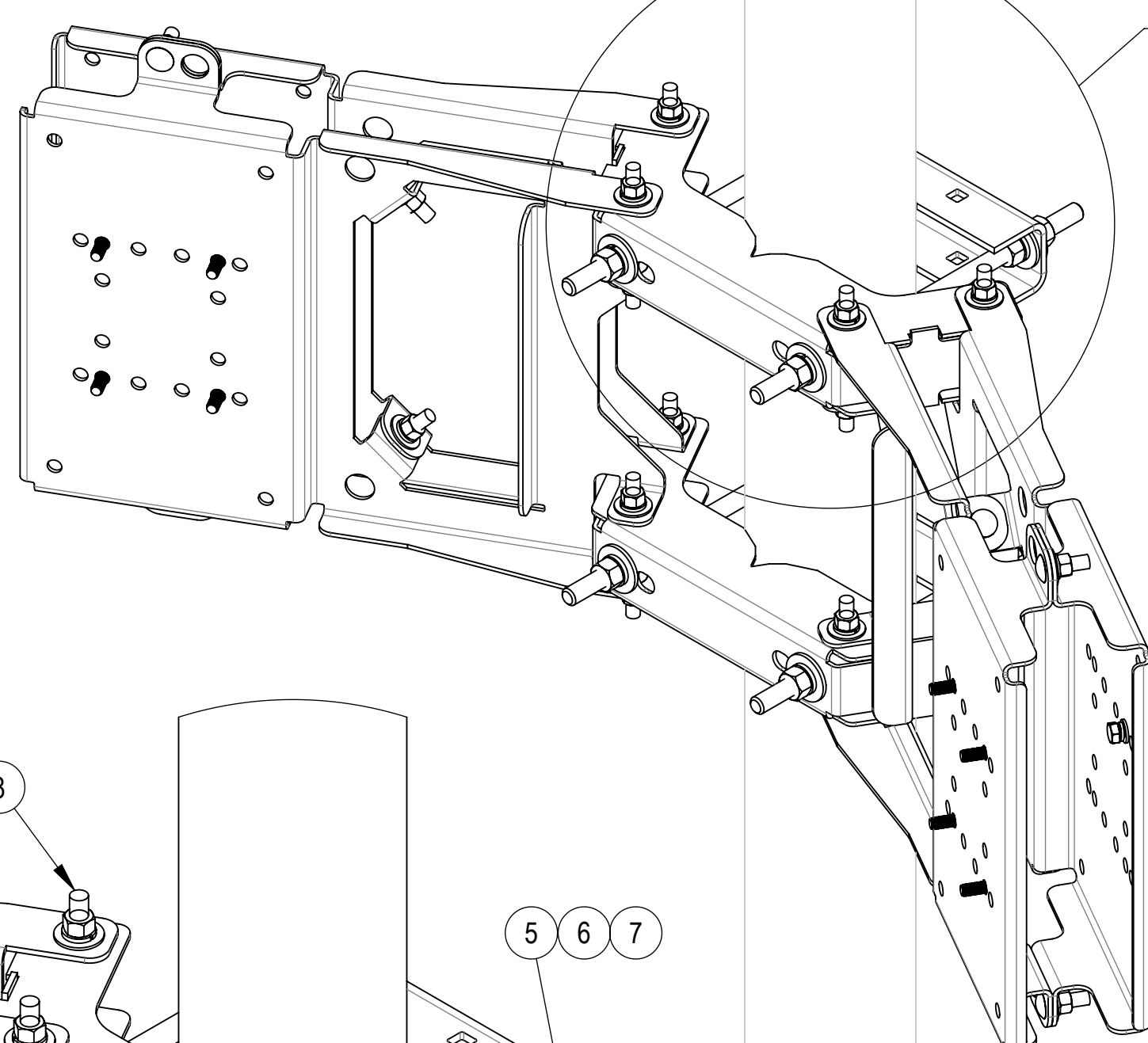
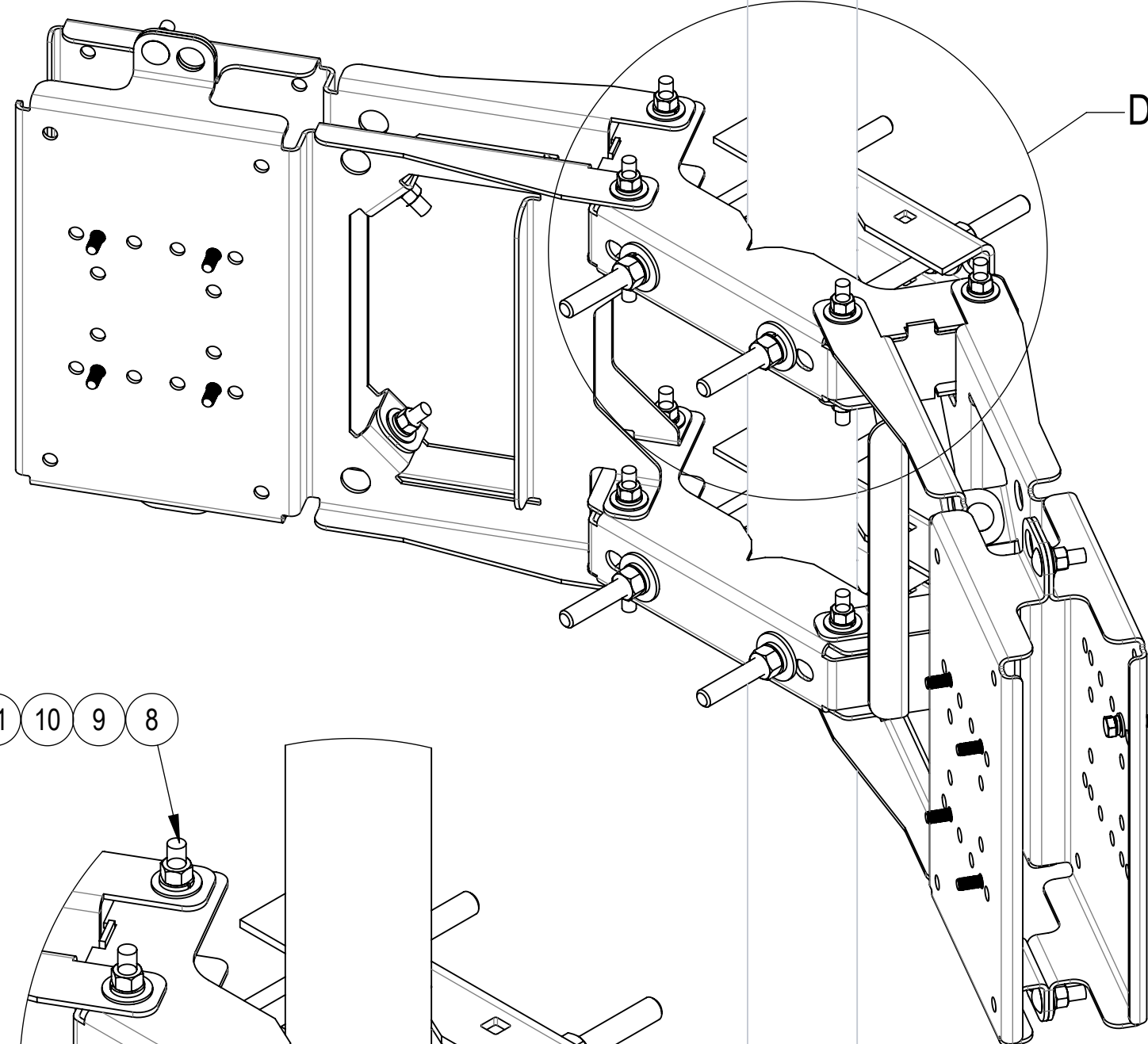
1

D

D

FOR POLES TO 2.375" ~ 4.5" IN DIAMETER  
SHOWN FOR REFERENCE  
(SOLD SEPARATELY)

FOR POLES TO 4.5" ~ 6" IN DIAMETER  
SHOWN FOR REFERENCE  
(SOLD SEPARATELY)



**DETAIL D**  
SCALE 1 : 3

**DETAIL E**  
SCALE 1 : 3

APPLICABLE PIPE DIAMETER FOR INNER HOLE

APPLICABLE PIPE DIAMETER FOR EXTERNAL HOLES

COMMSCOPE, INC. OF NORTH CAROLINA				
TITLE RRH MOUNT,ERICSSON,4-RADIOS				
SIZE <b>C</b>	SCALE <b>1:12</b>	DOCUMENT NO. RR-APEX4-E		
		DRAWING		SHEET
		VERSION 00	STATUS RE	REVISION A

4

3

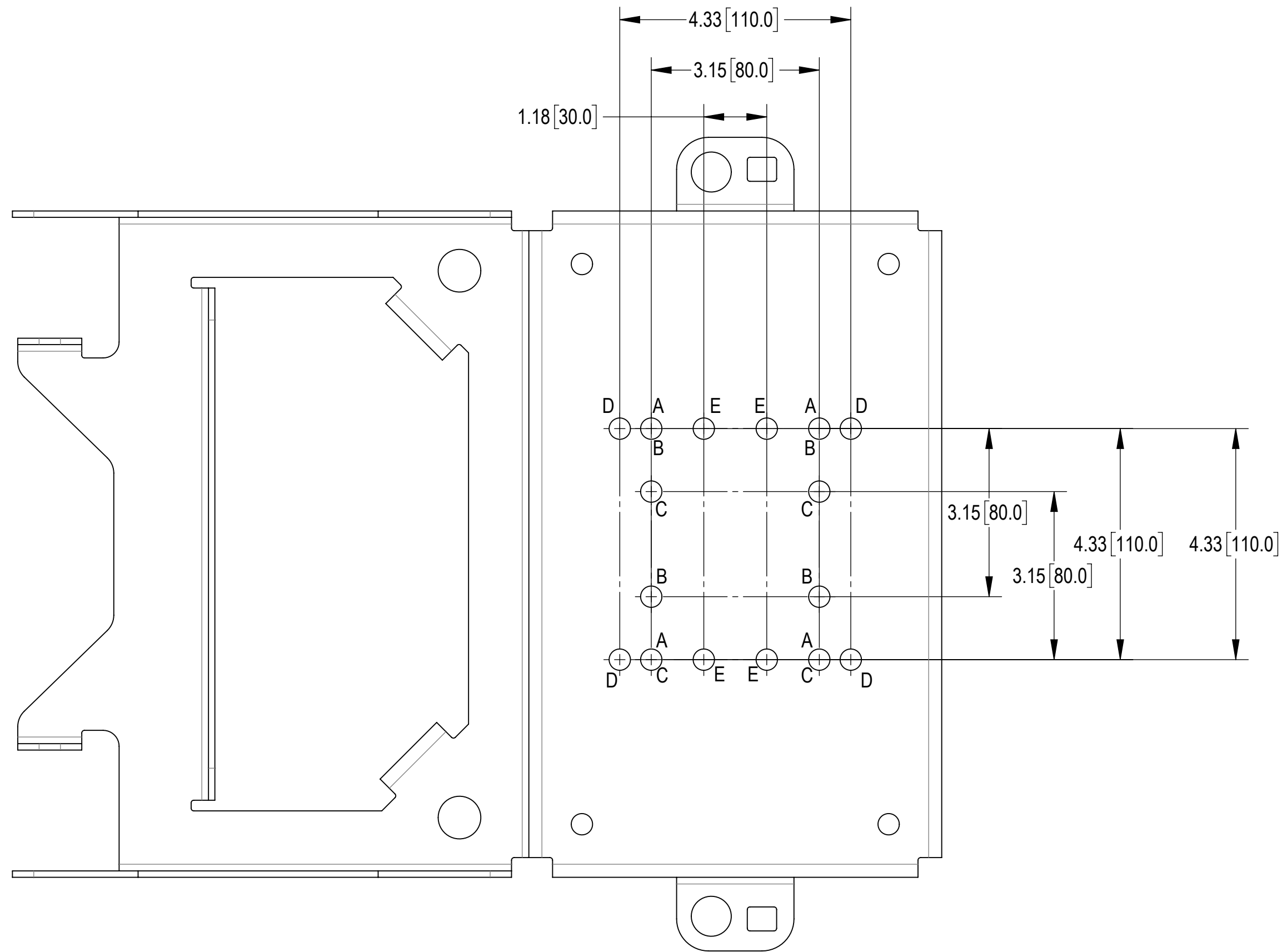
2

1


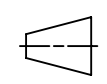
A

A

# MOUNTING HOLES POSITION



"A": 4449/4467/4490/4890/8843/8863  
 "B": 4455  
 "C": 4455  
 "D": 4435/4460/1281/5322  
 "E": 4415/4426/4478/6308

COMMScope, INC. OF NORTH CAROLINA					
TITLE RRH MOUNT,ERICSSON,4-RADIOS					
SIZE <b>C</b>	SCALE <b>1:2</b>	DOCUMENT NO. <b>RR-APEX4-E</b>			
 		DRAWING			SHEET 3 OF 7
		VERSION 00	STATUS RE	REVISION A	

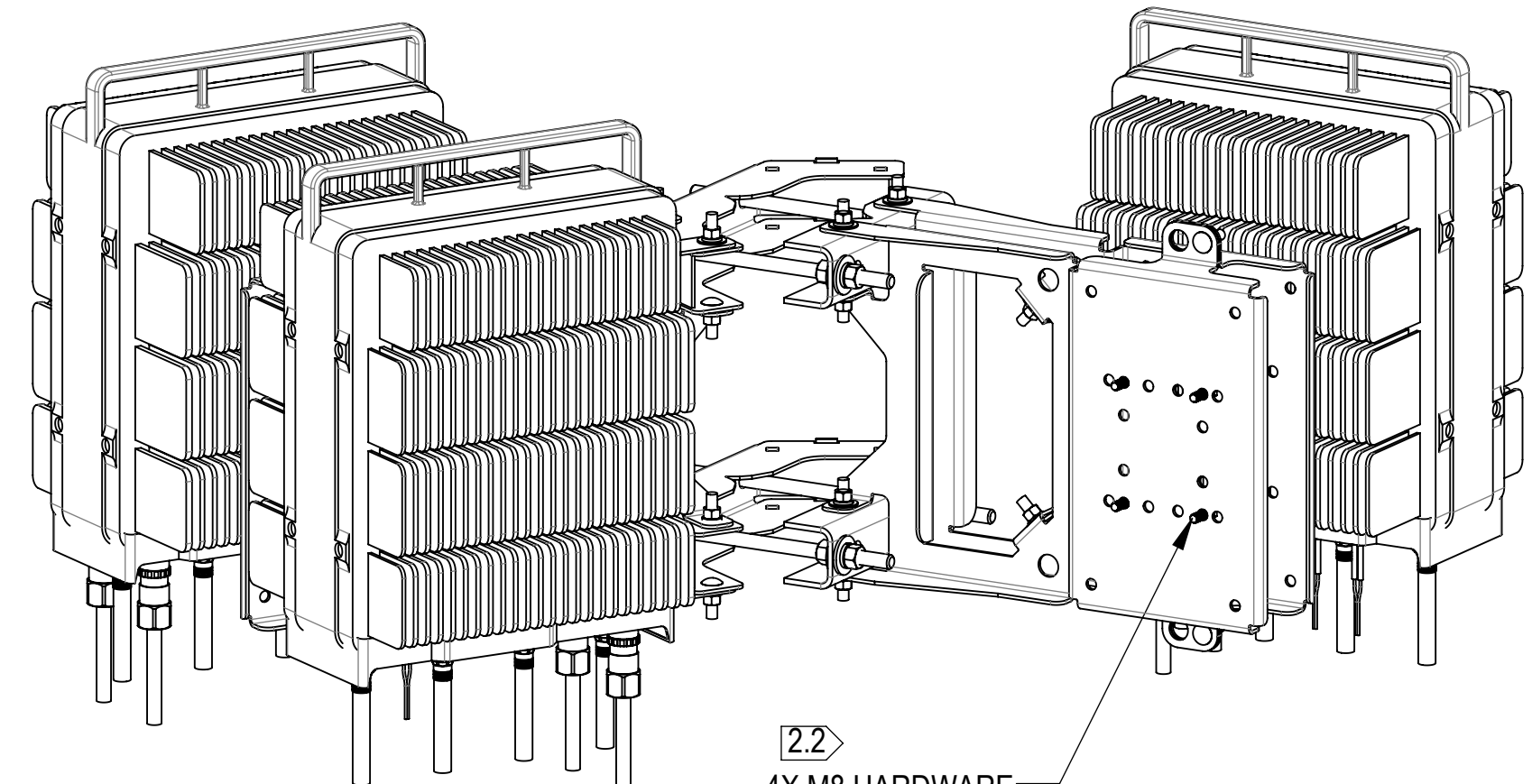
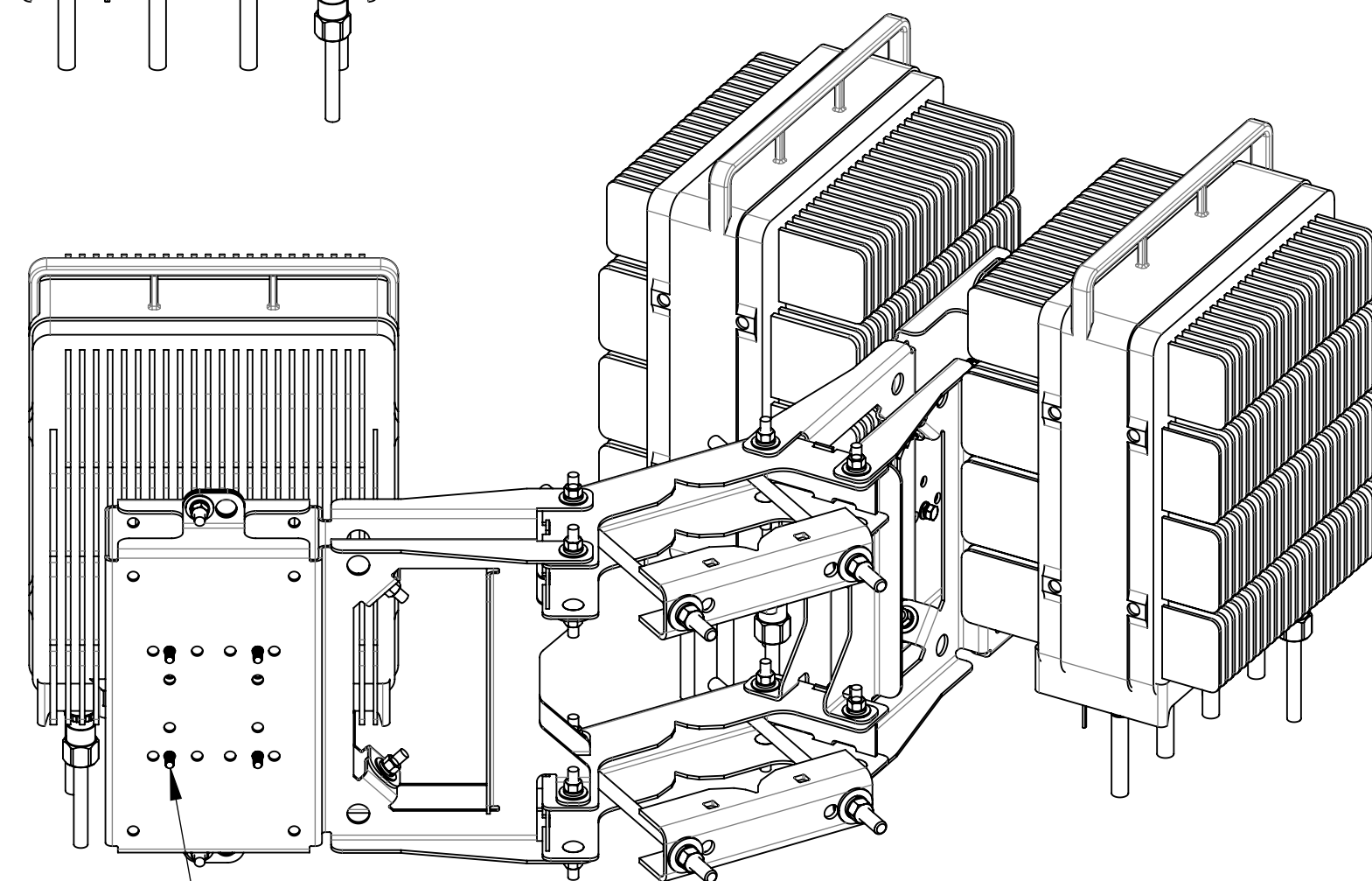
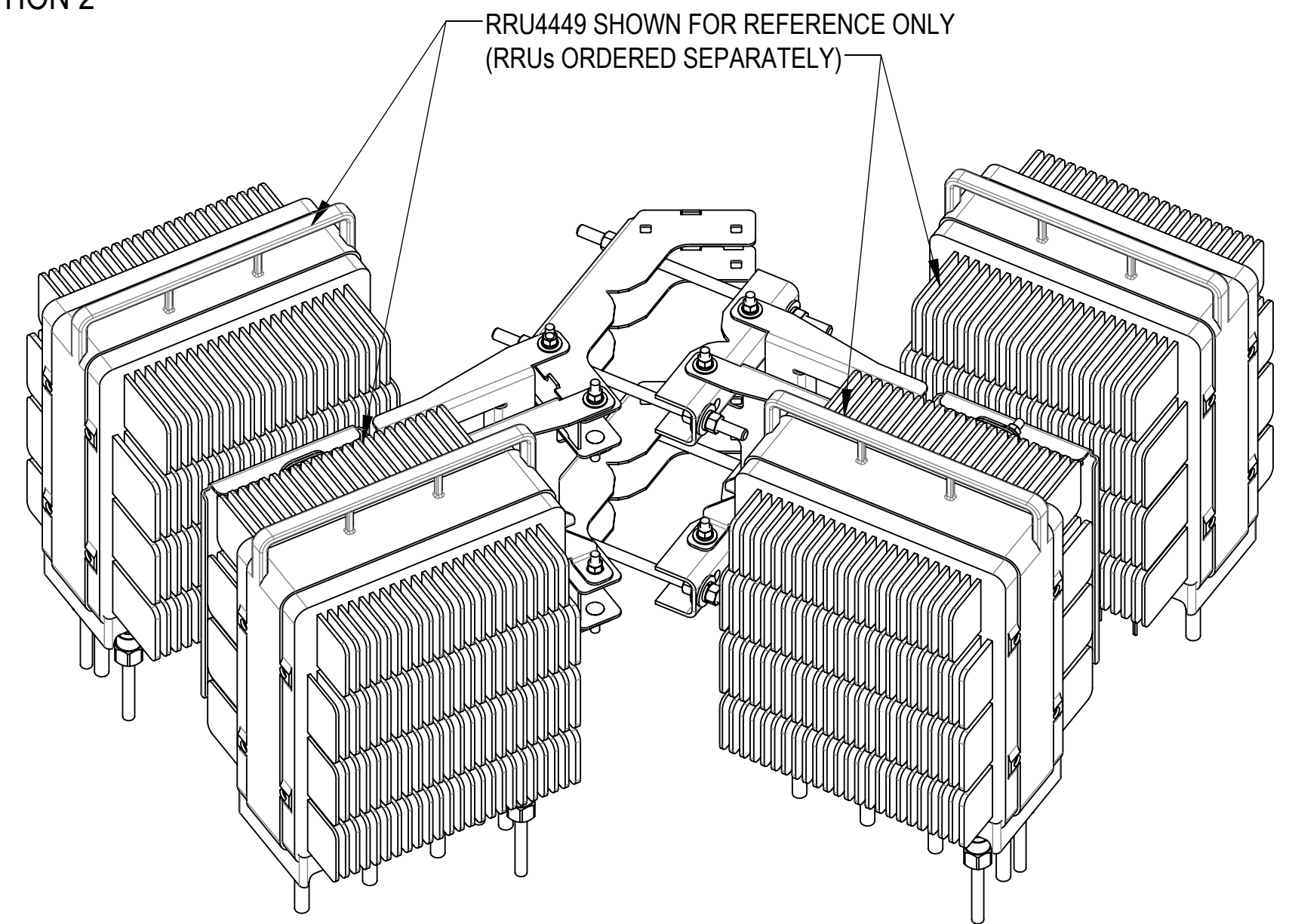
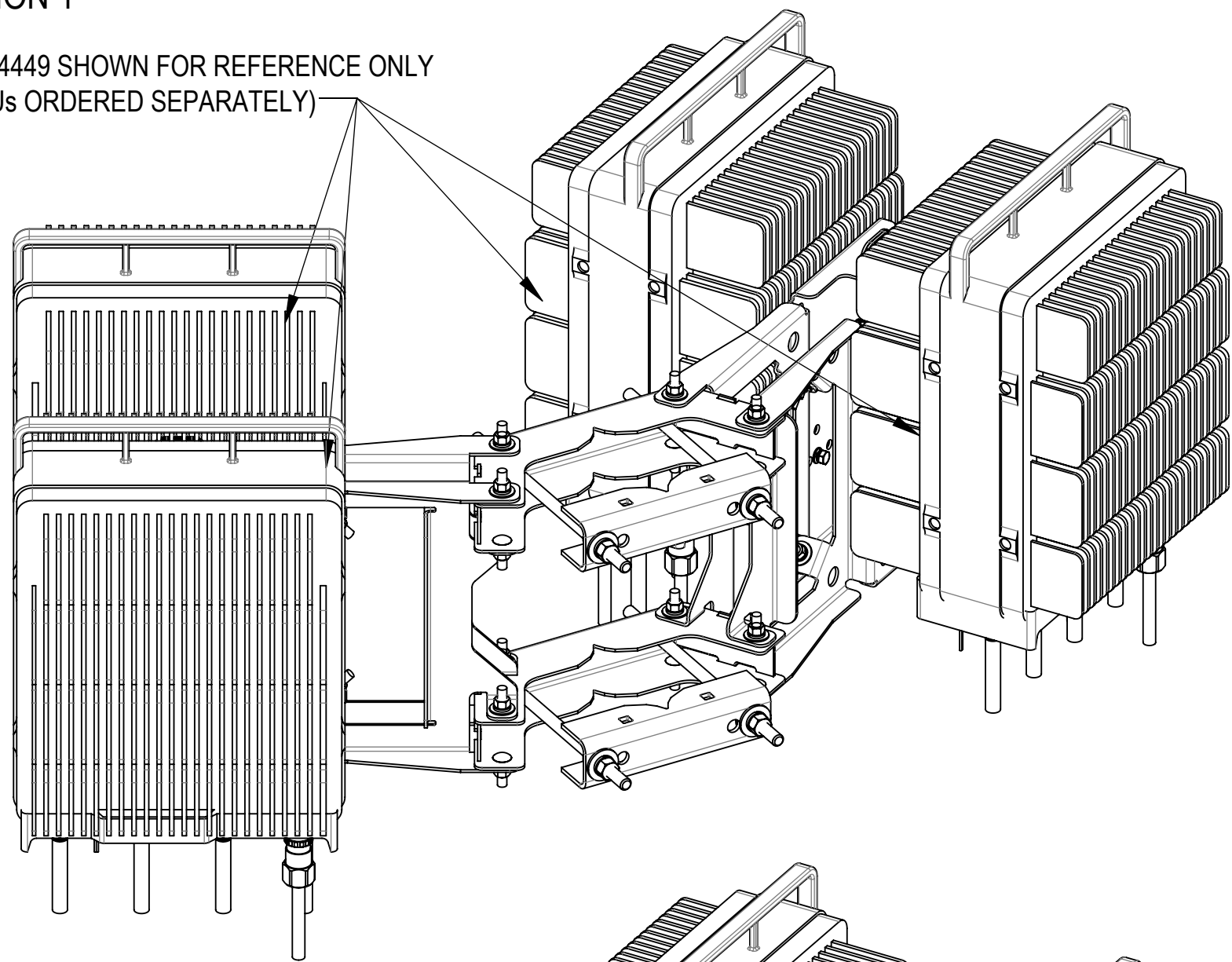
BRACKET COMPATIBLE WITH 4449/4467/4490/4890/8843/8863 RADIO MOUNTING ON RR-APEX4-E

OPTION 1

RRU4449 SHOWN FOR REFERENCE ONLY  
(RRUs ORDERED SEPARATELY)

OPTION 2

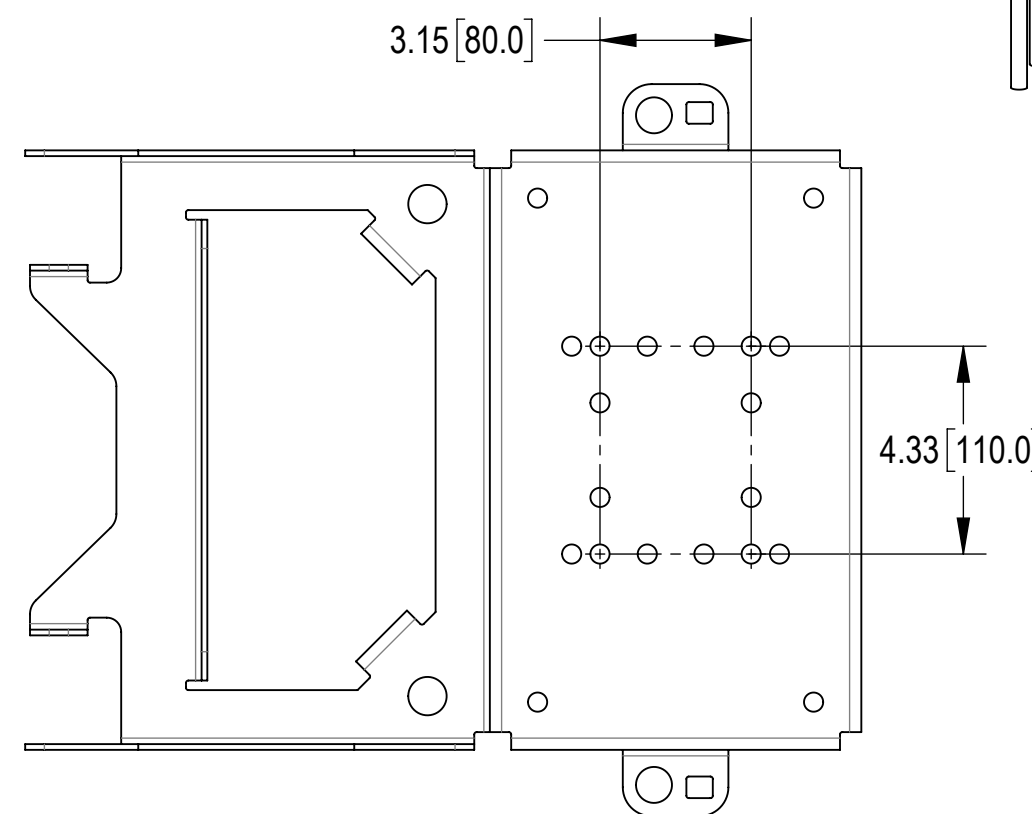
RRU4449 SHOWN FOR REFERENCE ONLY  
(RRUs ORDERED SEPARATELY)



2.2  
4X M8 HARDWARE  
(RRU 4449/4467/4490/4890/8843/8863 MOUNTING)

(NEAR SIDE RRU HIDDEN FOR CLARITY)

2.2  
4X M8 HARDWARE  
(RRU 4449/4467/4490/4890/8843/8863 MOUNTING)  
(NEAR SIDE RRU HIDDEN FOR CLARITY)

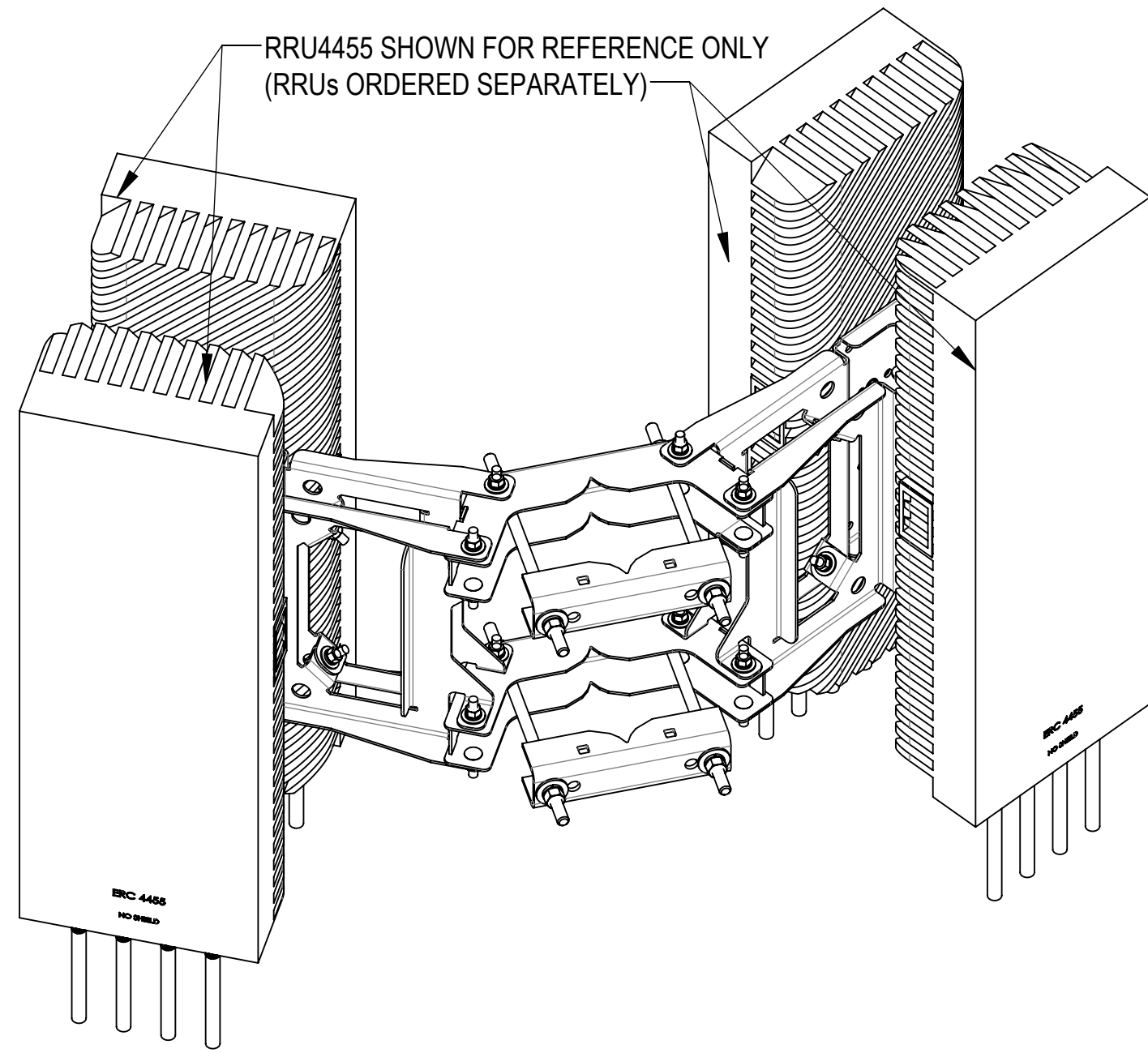


MOUNTING HOLES POSITION

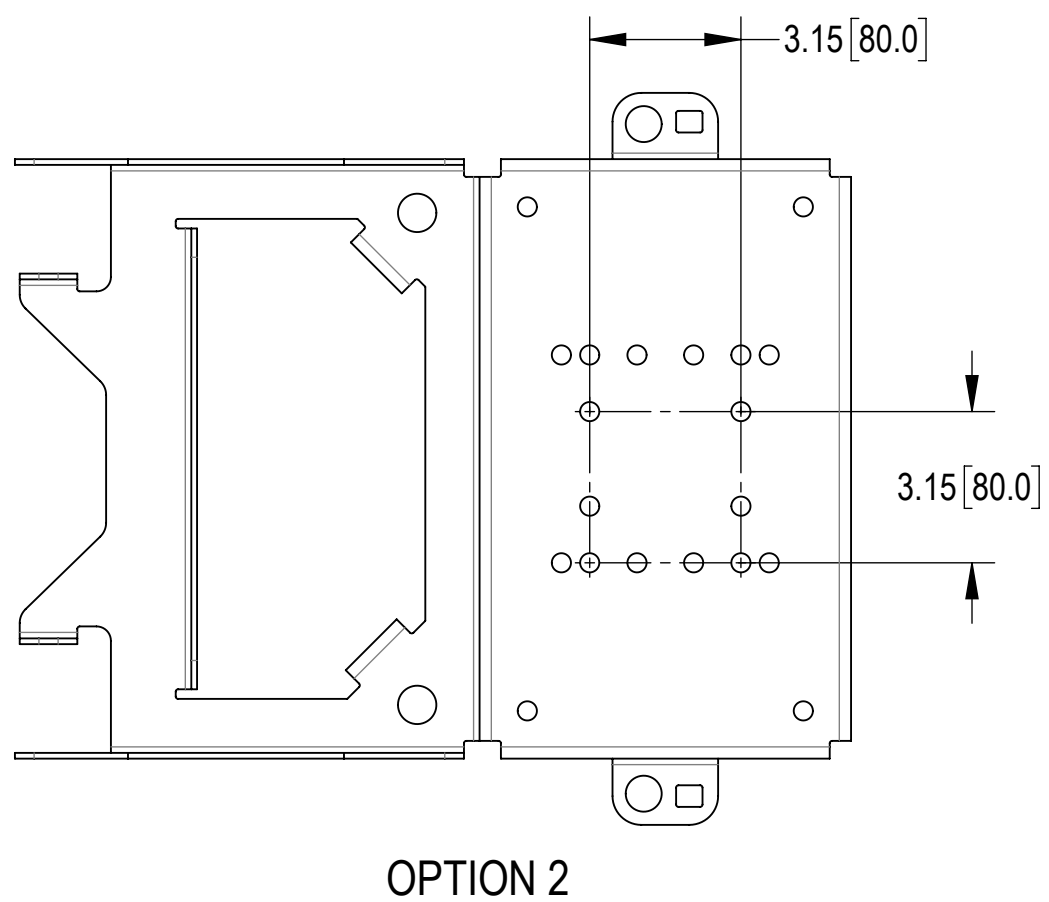
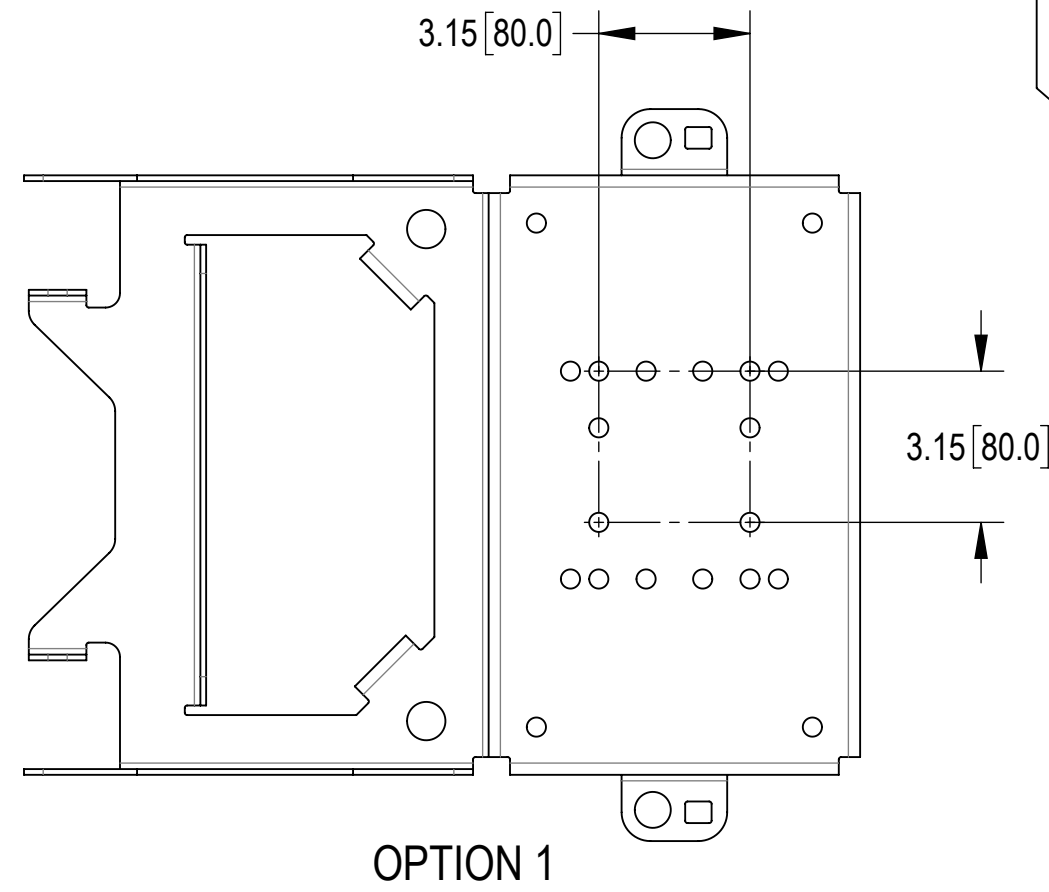
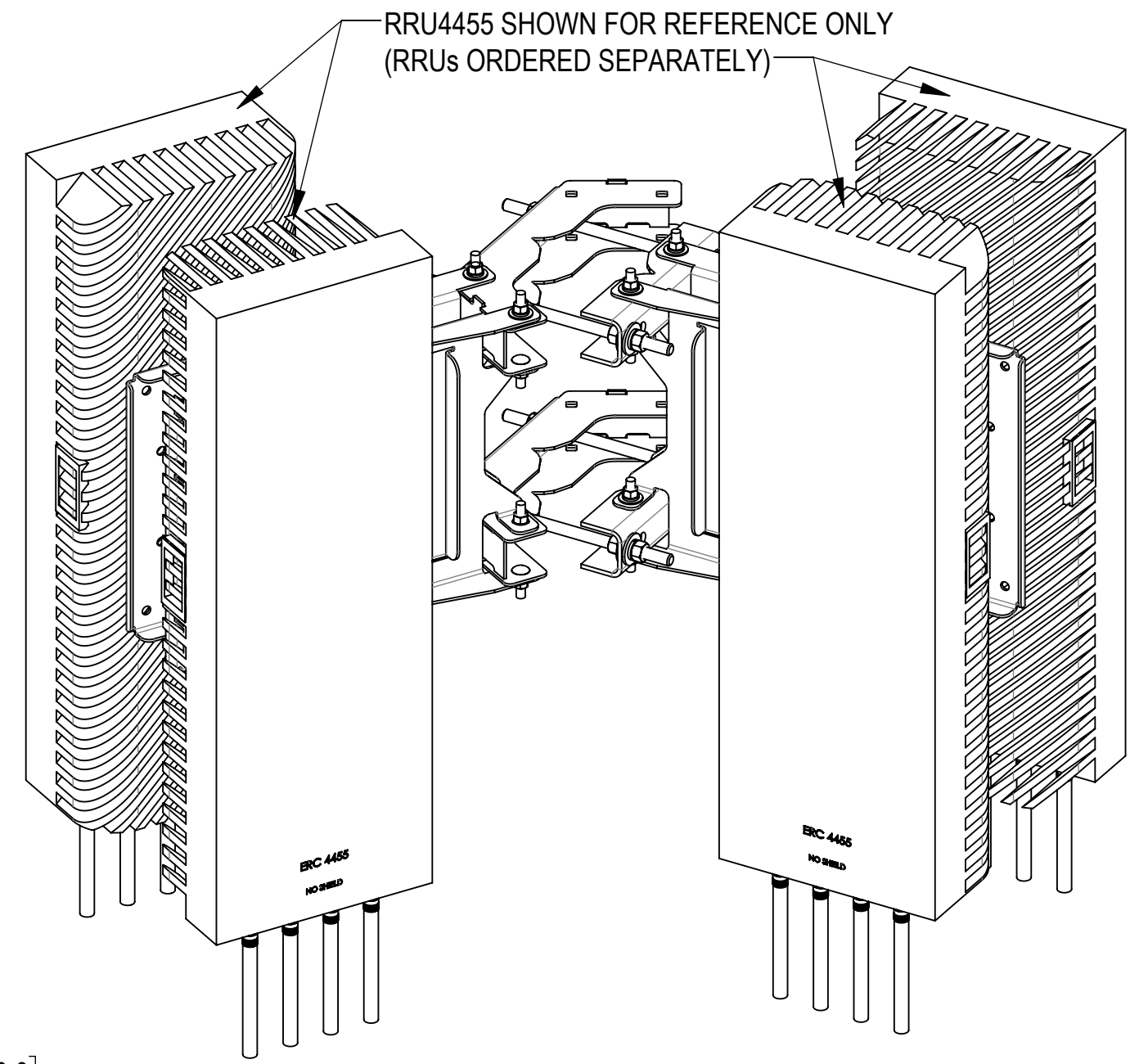
COMMSCOPE, INC. OF NORTH CAROLINA				
TITLE RRH MOUNT,ERICSSON,4-RADIOS				
SIZE C	SCALE 1:4	DOCUMENT NO. RR-APEX4-E		
		DRAWING		SHEET
		VERSION	STATUS	REVISION
		00	RE	A
				4 OF 7

# BRACKET COMPATIBLE WITH 4455 RADIO/AIR MOUNTING ON RR-APEX4-E

OPTION 1



OPTION 2



D

D

C

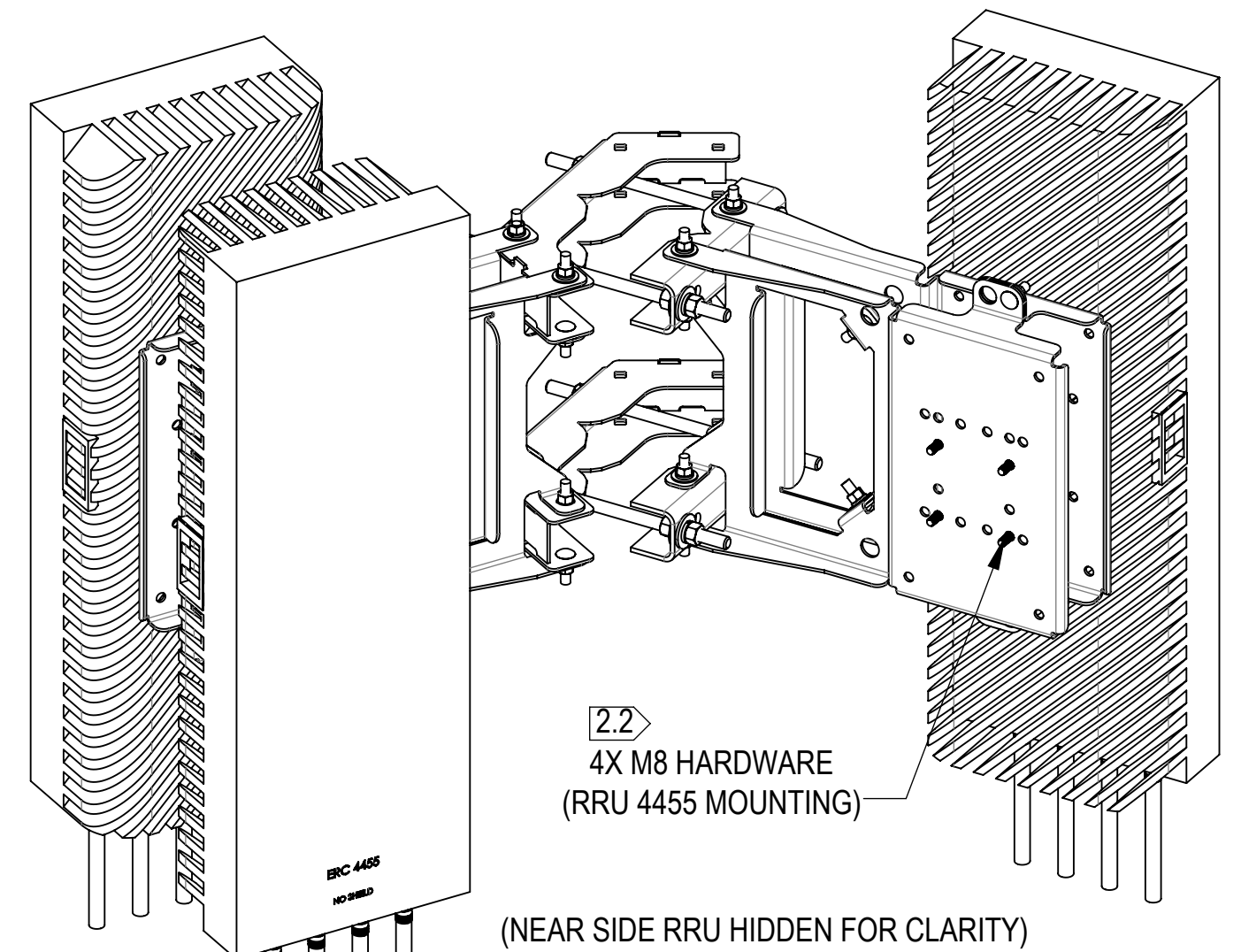
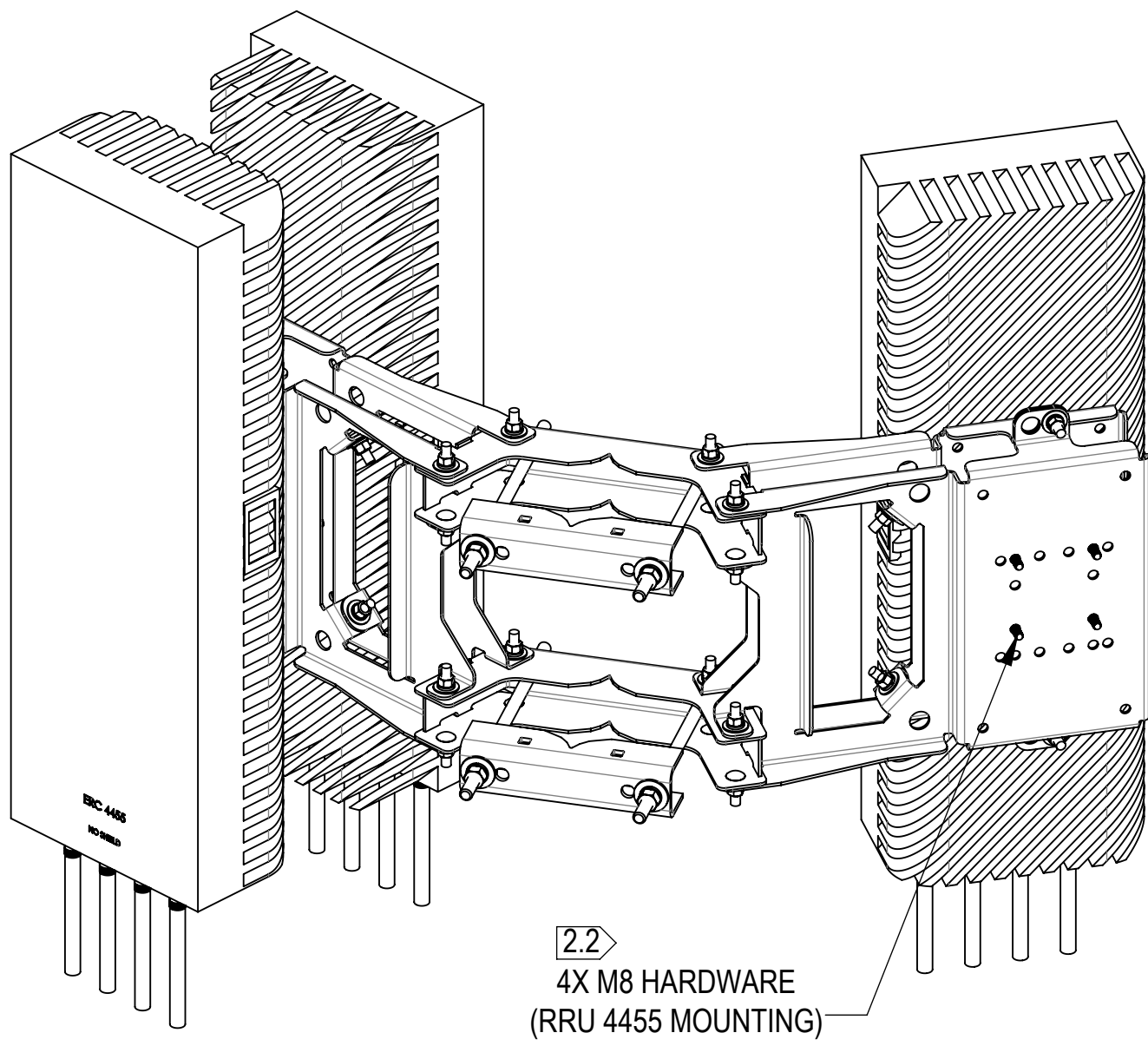
C

B

B

A

A



(NEAR SIDE RRU HIDDEN FOR CLARITY)

(NEAR SIDE RRU HIDDEN FOR CLARITY)

## MOUNTING HOLES POSITION

COMMSCOPE, INC. OF NORTH CAROLINA				
TITLE RRH MOUNT,ERICSSON,4-RADIOS				
SIZE C	SCALE 1:12	DOCUMENT NO. RR-APEX4-E		
DRAWING		VERSION	STATUS	REVISION
		00	RE	A
				SHEET 5 OF 7

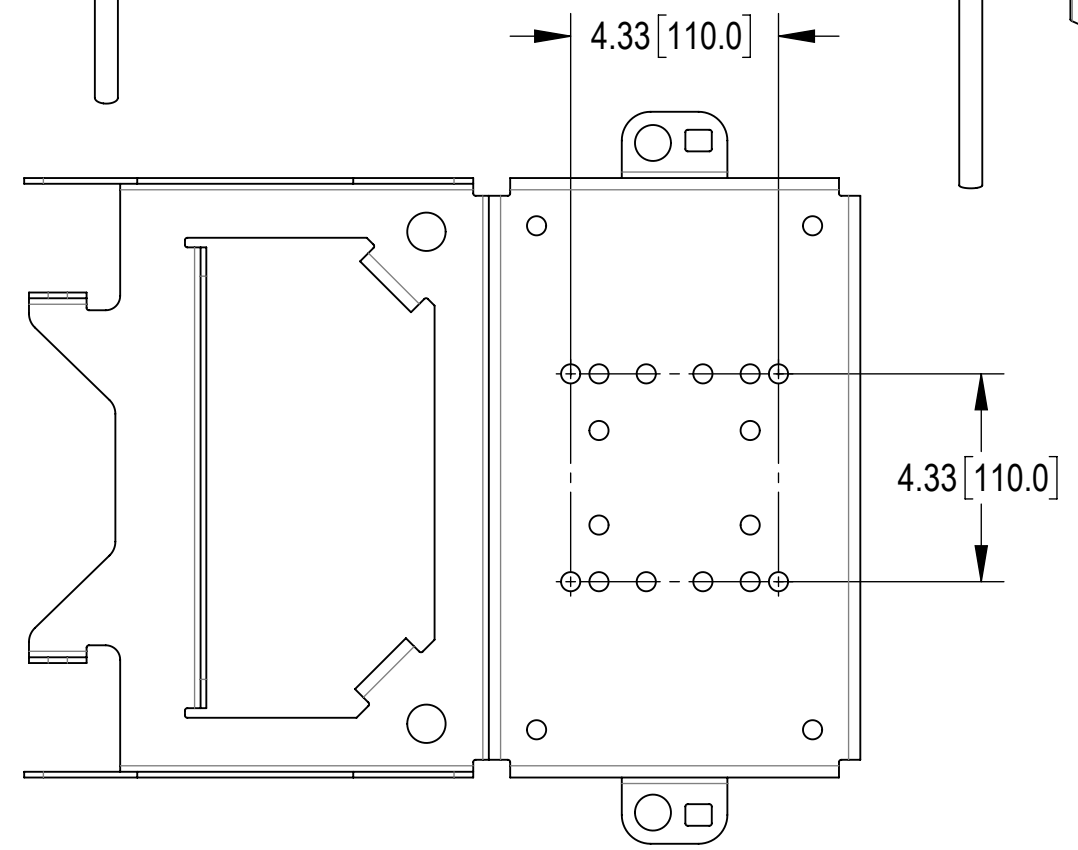
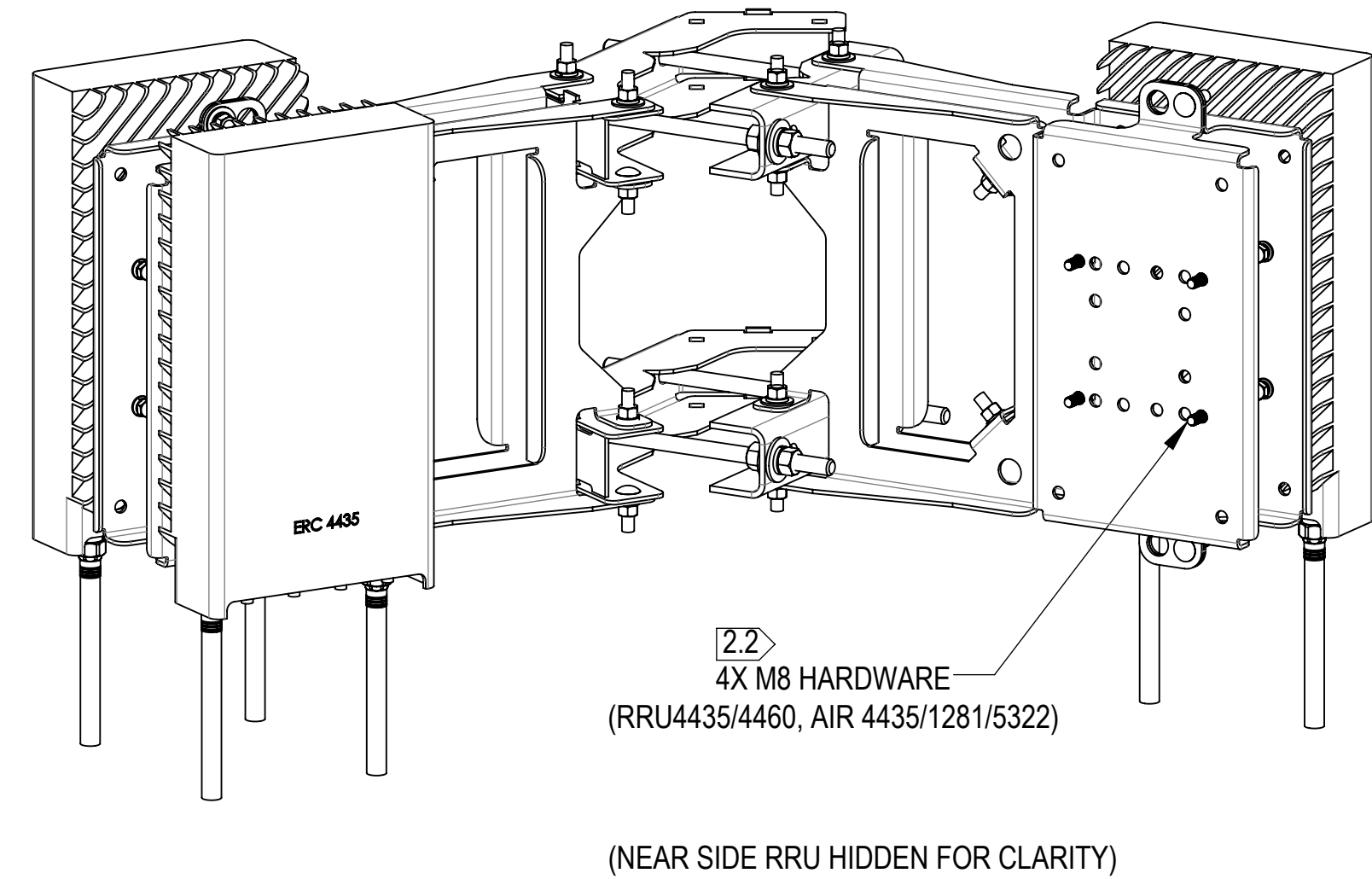
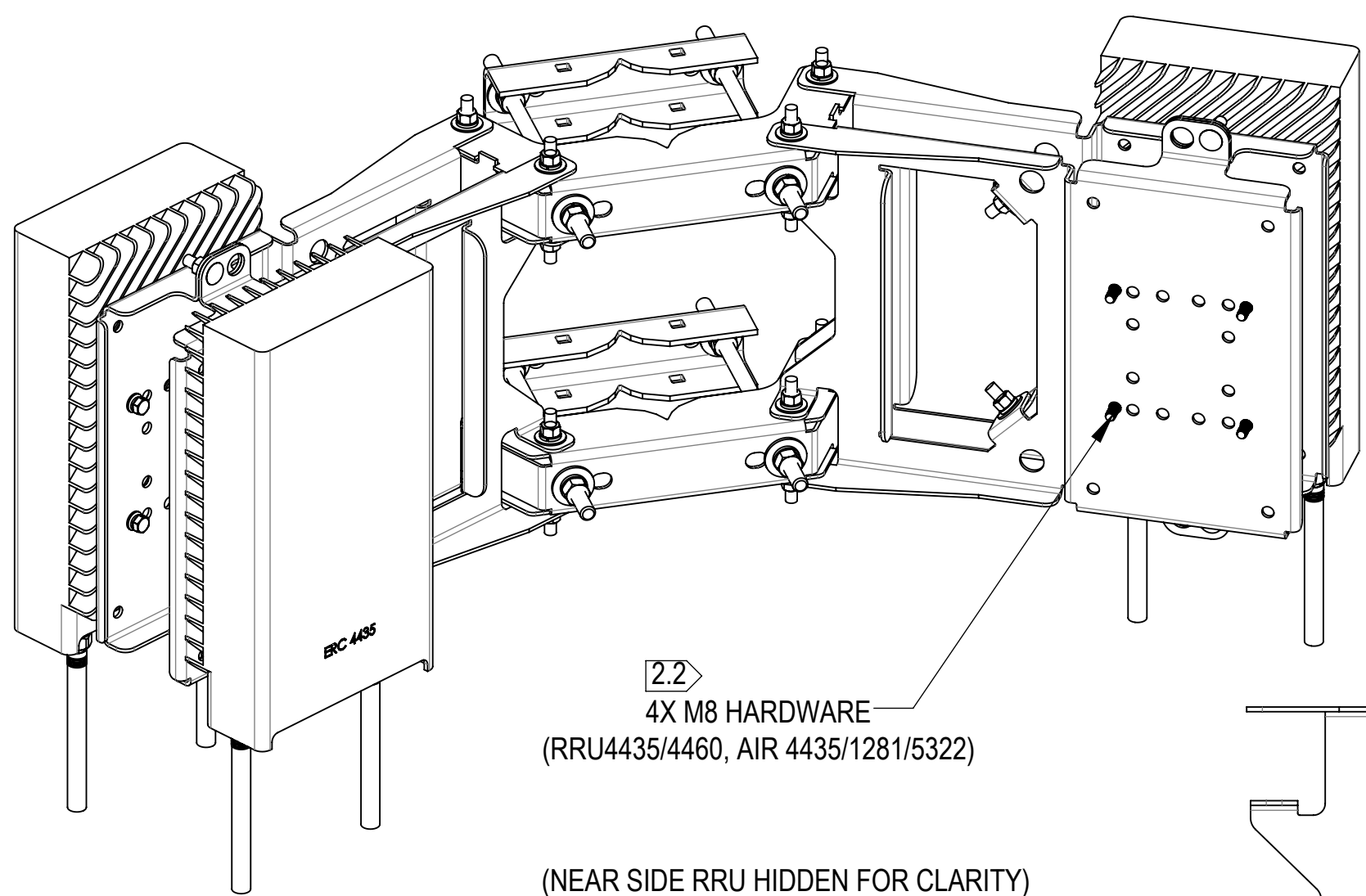
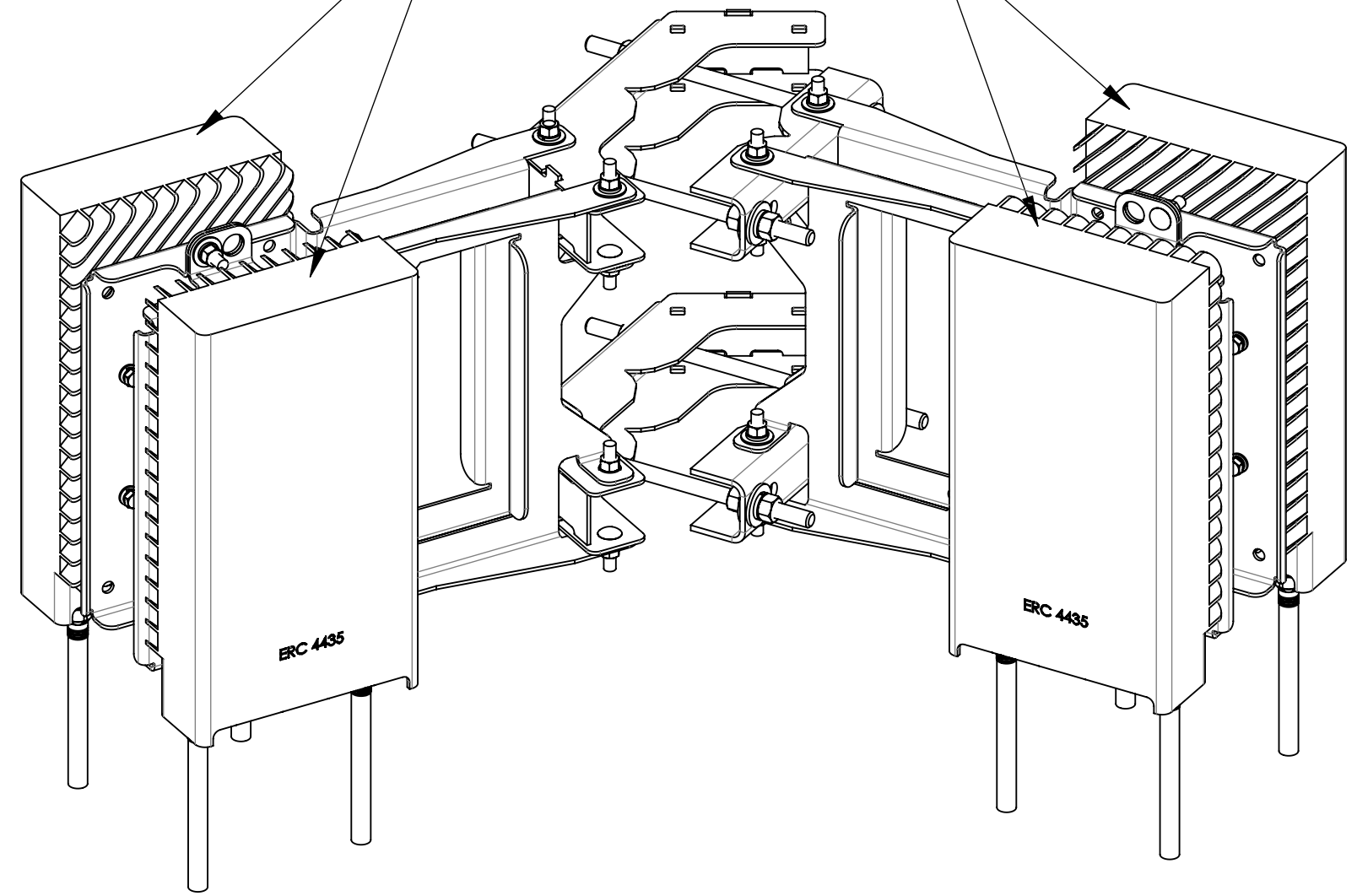
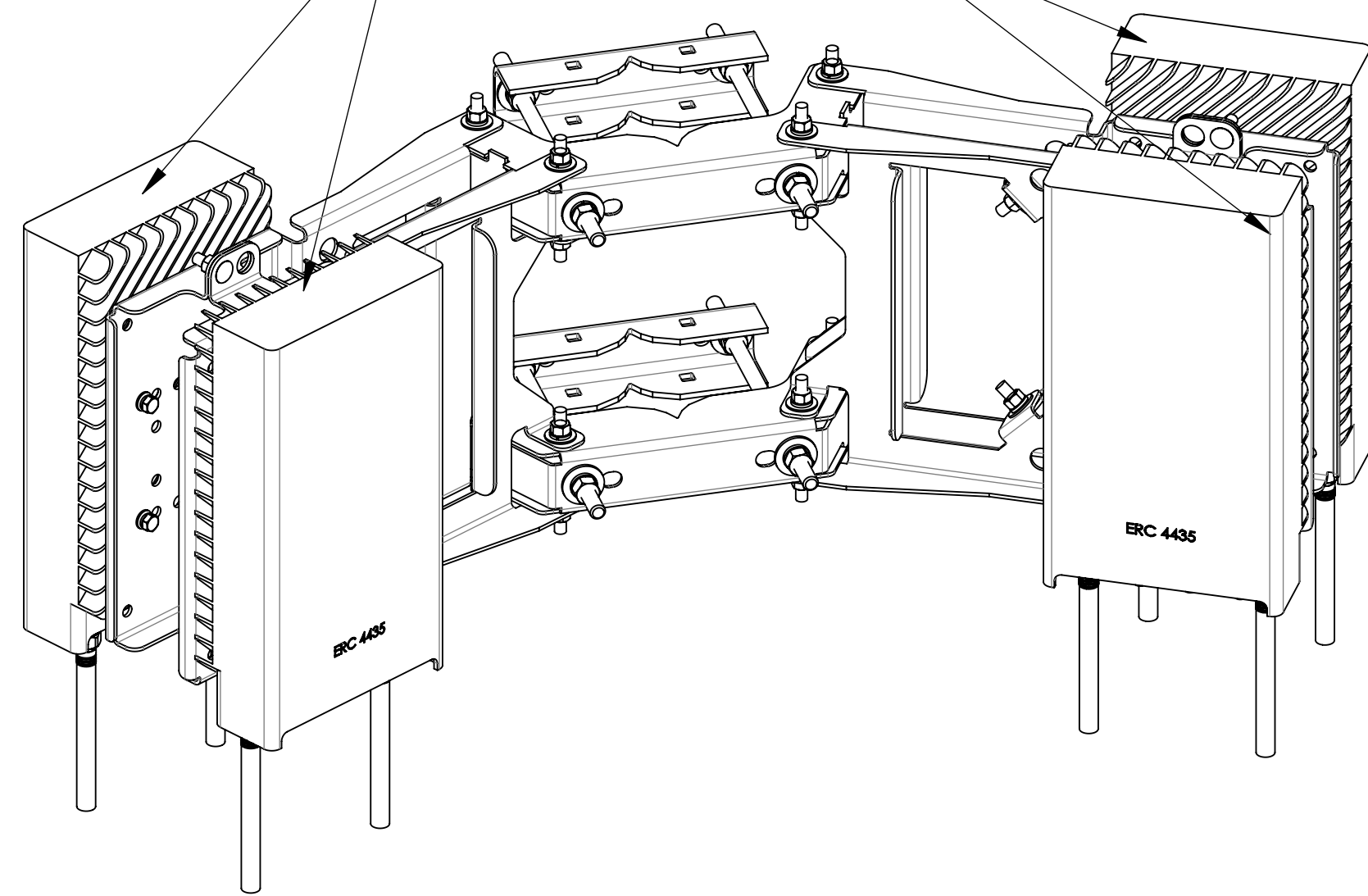
BRACKET COMPATIBLE WITH 4435/4460 RADIO, 4435/1281/5322 AIR MOUNTING ON RR-APEX4-E

OPTION 1

OPTION 2

RRU4435 SHOWN FOR REFERENCE ONLY  
(RRUs ORDERED SEPARATELY)

RRU4435 SHOWN FOR REFERENCE ONLY  
(RRUs ORDERED SEPARATELY)



MOUNTING HOLES POSITION

COMMSCOPE, INC. OF NORTH CAROLINA				
TITLE RRH MOUNT,ERICSSON,4-RADIOS				
SIZE C	SCALE 1:12	DOCUMENT NO. RR-APEX4-E		
		DRAWING		SHEET
		VERSION	STATUS	REVISION
		00	RE	A
				6 OF 7

4

3

2

1

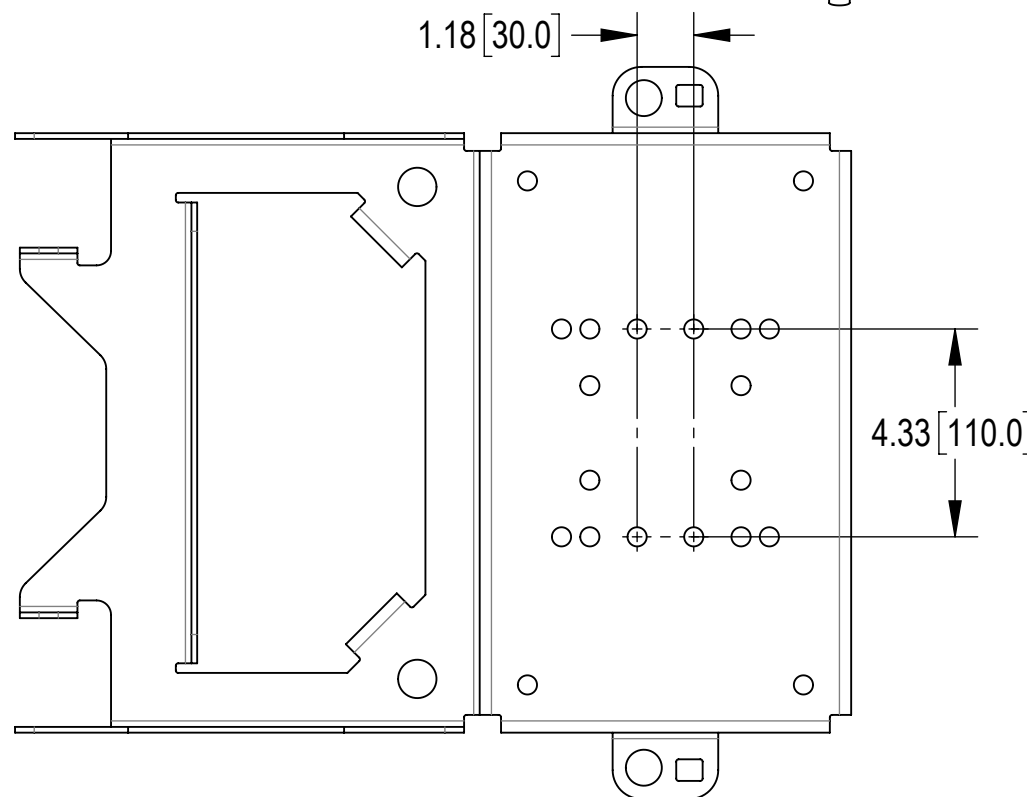
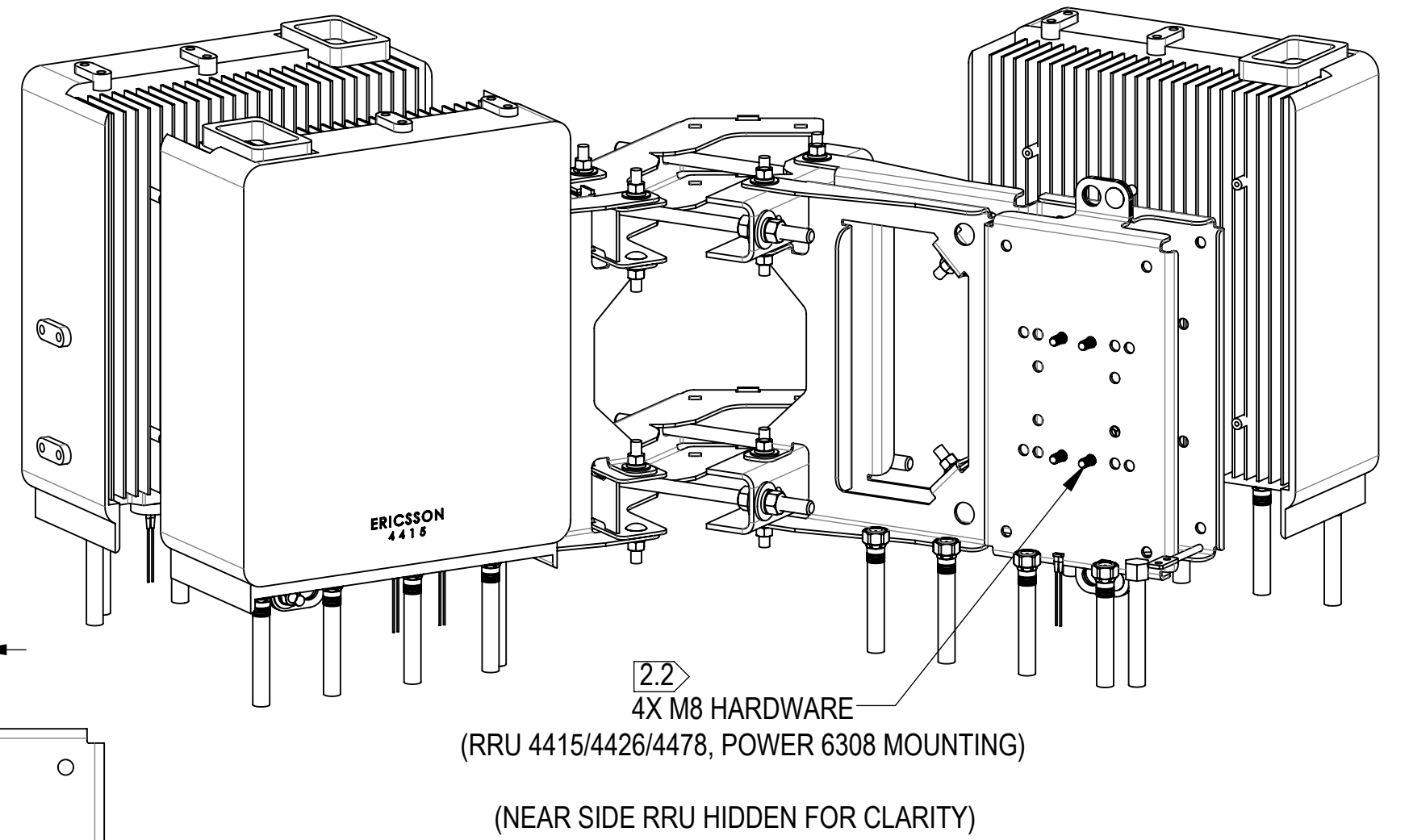
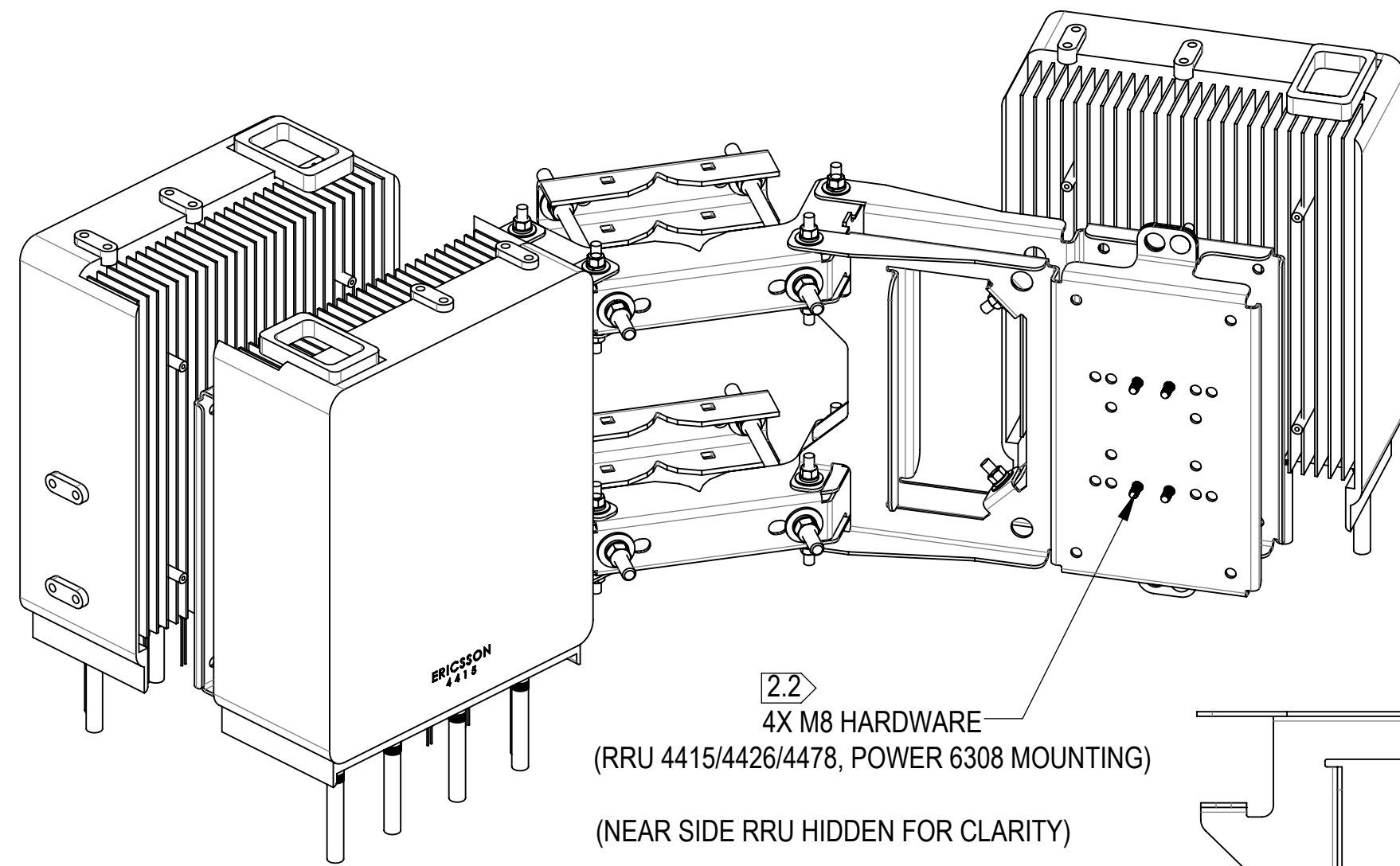
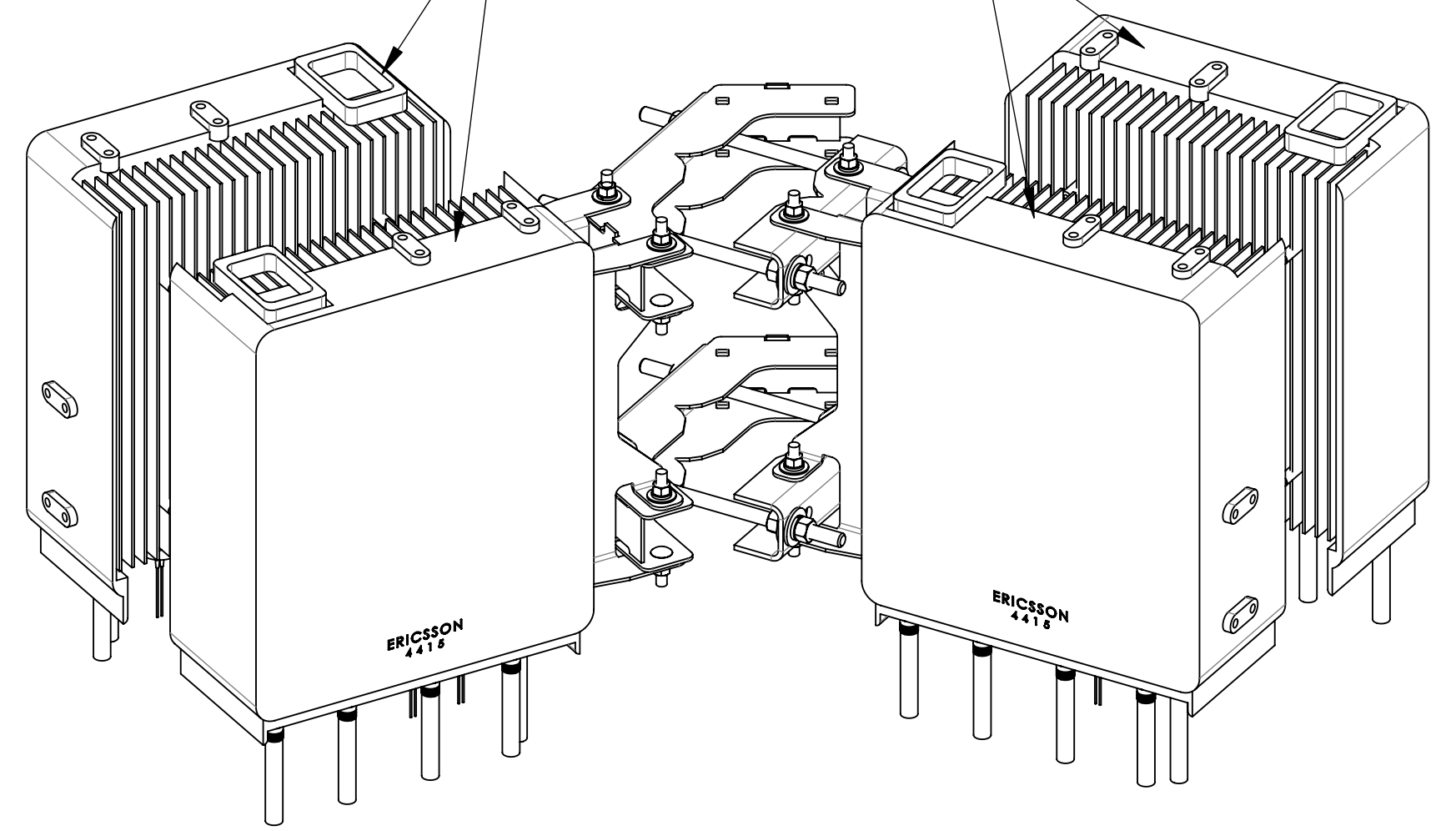
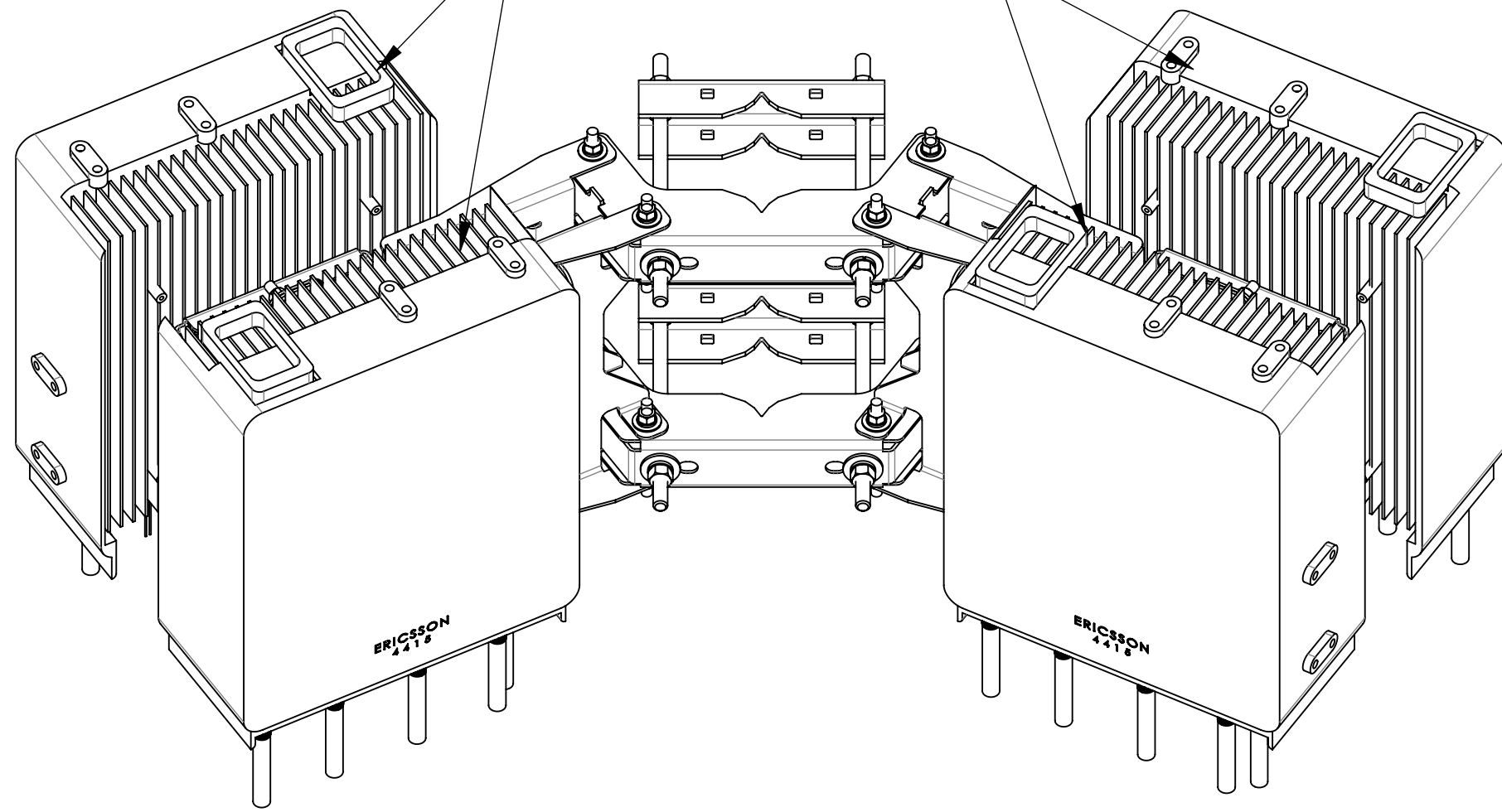
# BRACKET COMPATIBLE WITH 4415/4426/4478 RADIO, 6308 POWER MOUNTING ON RR-APEX4-E

## OPTION 1

## OPTION 2

RRU4415 SHOWN FOR REFERENCE ONLY  
(RRUs ORDERED SEPARATELY)

RRU4415 SHOWN FOR REFERENCE ONLY  
(RRUs ORDERED SEPARATELY)



### MOUNTING HOLES POSITION

COMMSCOPE, INC. OF NORTH CAROLINA				
TITLE RRH MOUNT,ERICSSON,4-RADIOS				
SIZE <b>C</b>	SCALE <b>1:12</b>	DOCUMENT NO. <b>RR-APEX4-E</b>		
		DRAWING		SHEET
		VERSION	STATUS	REVISION
		00	RE	A
				7 OF 7

4

3

2

1