

4

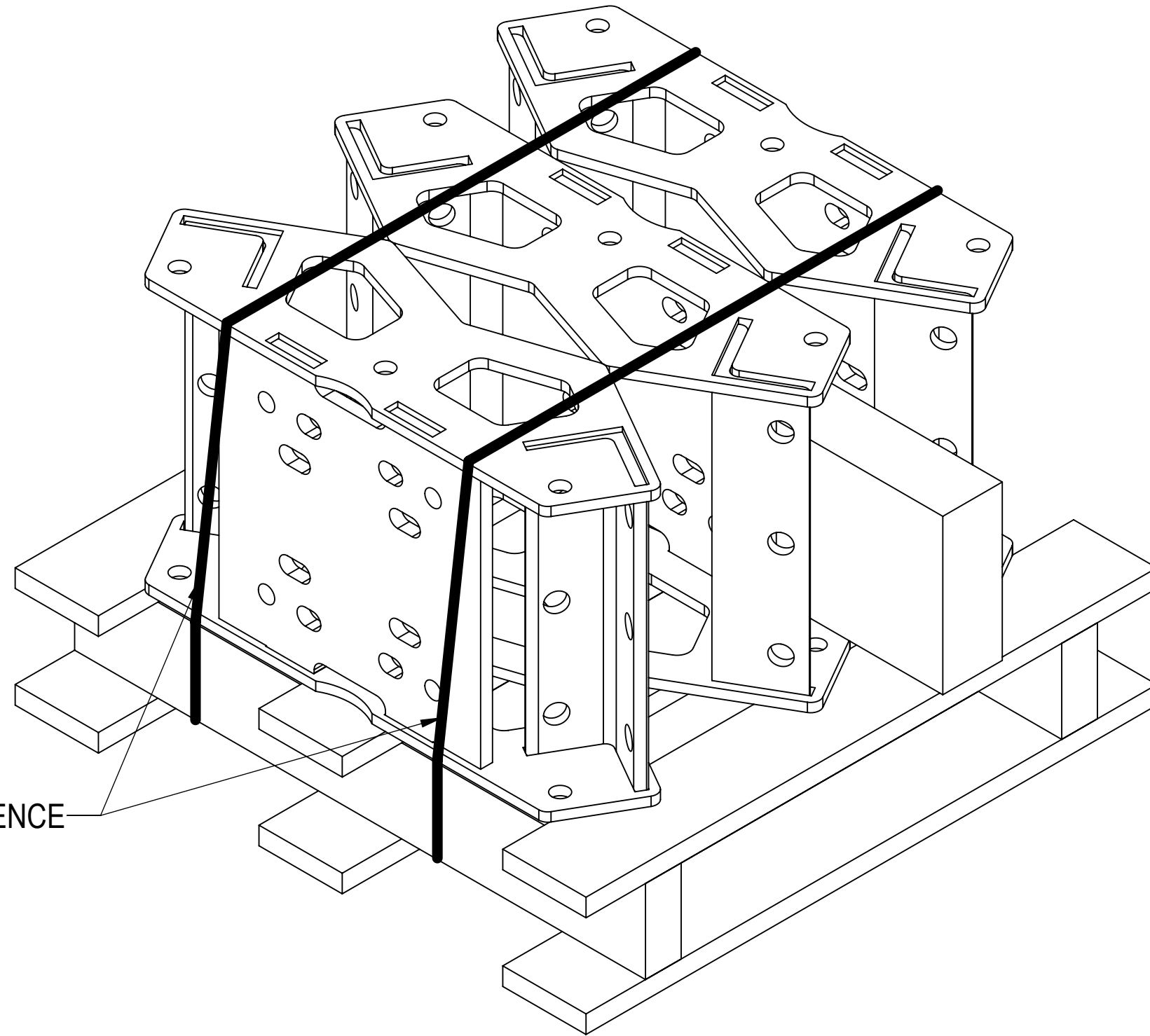
3

2

1

- 1.0 GENERAL NOTES
 - 1.1 ALL METRIC DIMENSIONS ARE IN BRACKETS [X. X]
 - 1.2 FOR PATENT INFO: <https://www.cs-pat.com>
- 2.0 DESIGN NOTES
- 3.0 MANUFACTURING/SPECIAL REQUIREMENTS
 - 3.1 TIGHTEN ALL BOLTS SECURING FLAT PLATES BY THE TURN-OF-NUT METHOD. TIGHTEN ALL U-BOLTS USING TURN-OF-NUT METHOD WITH ATTENTION TO LEAVE EQUAL DISTANCE AND EQUAL FORCE ON EACH LEG OF THE U-BOLT.
- 4.0 TEST
- 5.0 PACKAGING
 - 5.1 PACKAGING SHALL MEET COMMSCOPE REQUIREMENTS PER DOCUMENT IS-PL-3005
 - 5.2 PRINTED DOCUMENT TO BE PLACED INSIDE POLYBAG AND THEN IN SHIPPING CONTAINER
 - 5.3 EXTRA HARDWARE MAY BE SUPPLIED, BAGGED AND SHIPPED

REVISIONS			
REV.	DESCRIPTION	DATE	APPROVED
K	UPDATED COMPONENT ON ITEM #1	HC 08JAN14	
L	NEW MOUNT WELDMENT	MSM 05MAR15	TP 8000007159
M	UPDATED FOR MOUNT WELDMENT CHANGE	YX1027 21AUG24	AG1119 40201197CMO



STRAP FOR REFERENCE

COMMSCOPE, INC. OF NORTH CAROLINA											
TOLERANCES					SAP MATERIAL MASTER						
1 PLACE .X[X] ± 0.12[3.0]		3 PLACE .XXX[X] ± 0.03[0.8]			MC-RM1030-3						
2 PLACE .XX[X] ± 0.06[1.5]		ANGLES ± 2°									
FINISH					MATERIAL						
UNLESS OTHERWISE SPECIFIED DIMENSIONS ARE IN INCHES INTERPRET PER ANSI Y 14.5M-1994	NAME		DATE		10" - 30" OD RINGMOUNT						
	CE	AW	30AUG04								
	RW	YMENG	08/22/2024								
	AD	AG1119	09/04/2024								
	RE	YMENG	09/11/2024								
ECN 40201197CMO					SCALE 1:6		DOCUMENT NO. MC-RM1030-3				
SIZE		Auth Group		INSL		MODEL			DRAWING		
C				VERSION			STATUS		REVISION		SHEET 1 OF 2
				03			RE		N		
HEIGHT		15"		LENGTH		35"		WIDTH		33"	

DENSITY		lbs/in ³
MASS	150.79	lbs
VOLUME	993.09	in ³
SURFACE AREA	5044.70	in ²

4

3

2

1

4

3

2

1

D

D

C

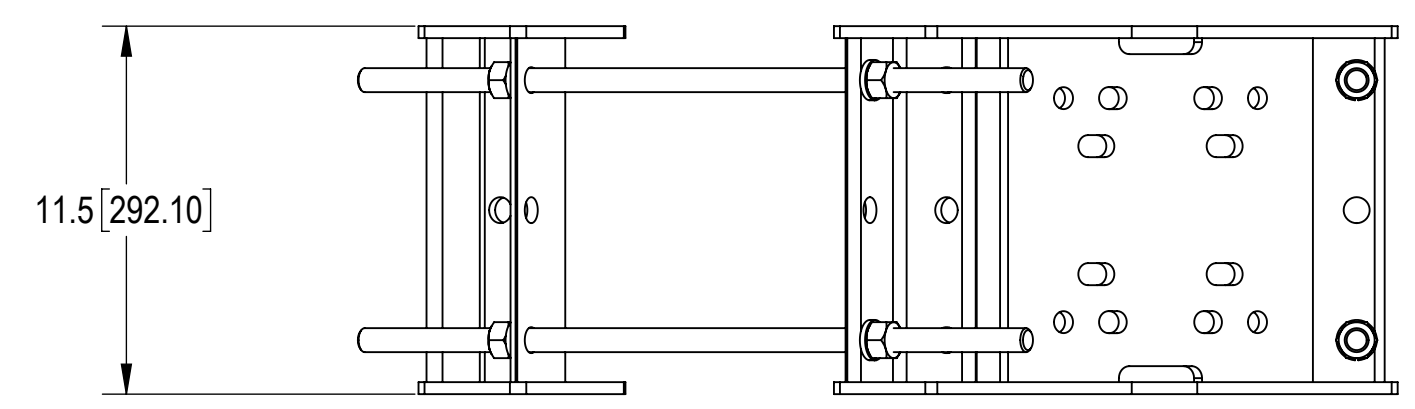
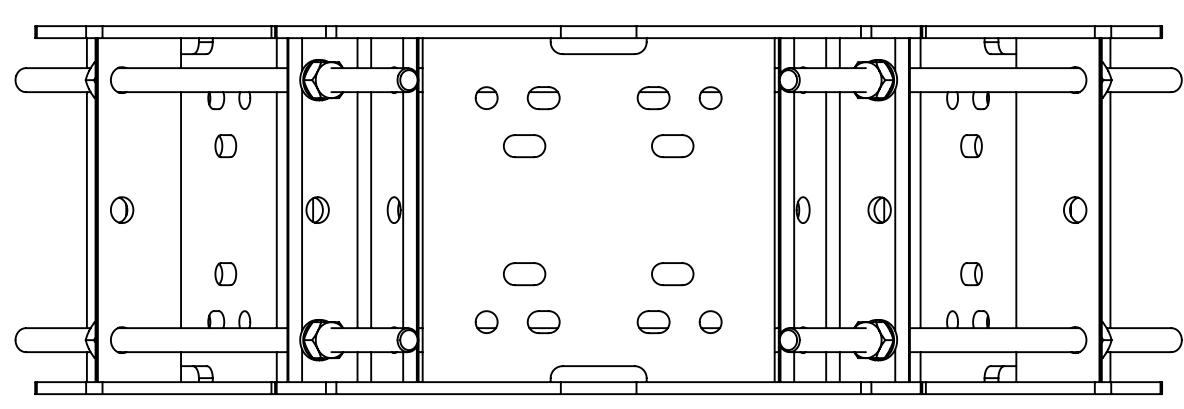
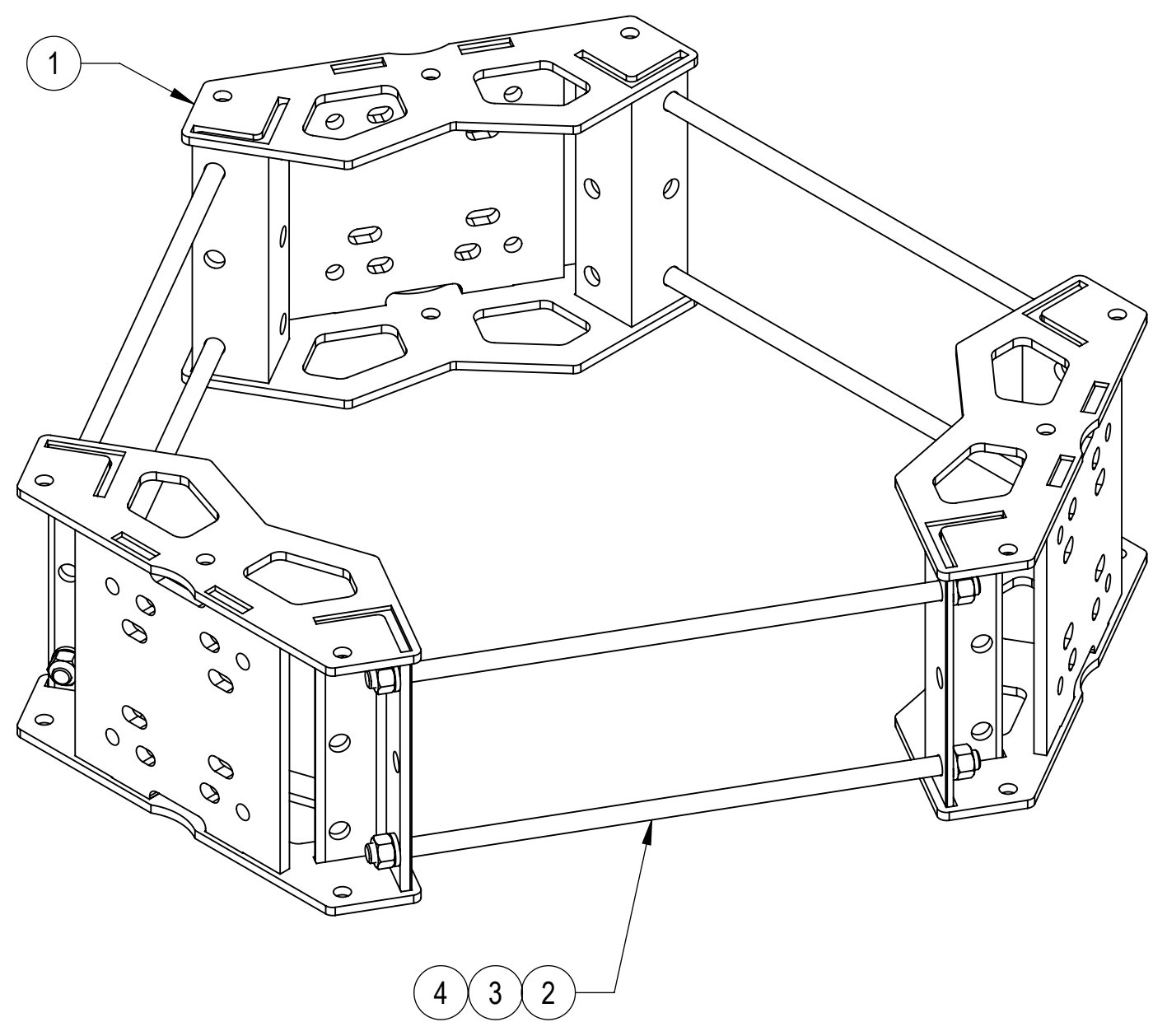
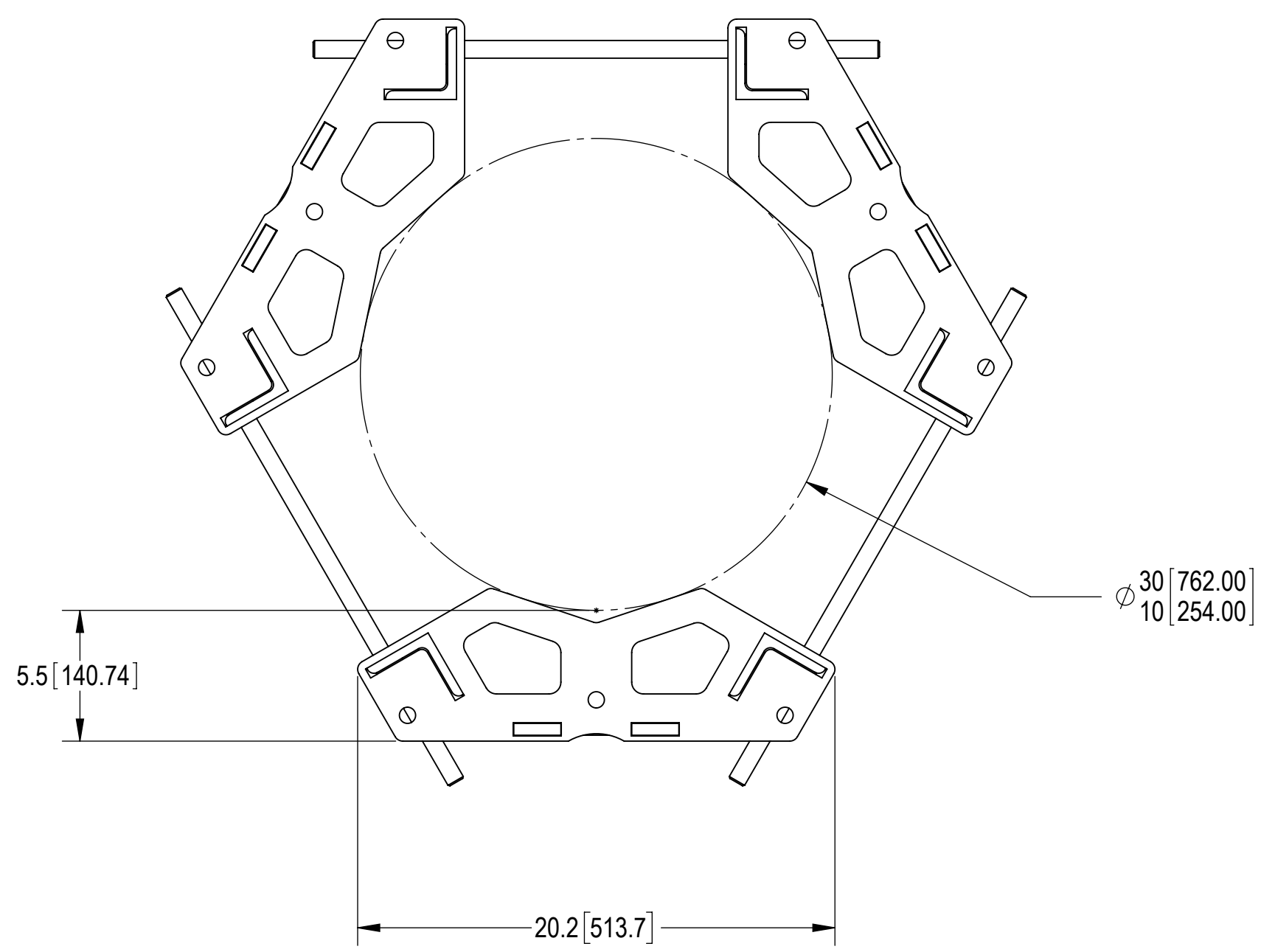
C

B

B

A

A



COMPONENT PART NUMBERS PROVIDED FOR ASSEMBLY PURPOSES;
INDIVIDUAL COMPONENTS MAY BE SHIPPED AS PARTS WITHIN AN INCLUDED KIT.

ITEM NO.	PART NUMBER	DESCRIPTION	QTY.	WEIGHT	NOTE NO.
1	RM1030305	10-30 3-SECTOR RM WLDMNT	3	43.54 LBS	
2	MT38424	3/4" X 24" GALV THREADED ROD	6	2.99 LBS	
3	GWL-06	3/4" GALV LOCK WASHER	12	0.04 LBS	
4	GN-06	3/4" GALV HEX NUT	12	0.15 LBS	

COMMSCOPE, INC. OF NORTH CAROLINA					
TITLE 10" - 30" OD RINGMOUNT					
SIZE C	SCALE 1:1	DOCUMENT NO. MC-RM1030-3			
		DRAWING			SHEET
		VERSION	STATUS	REVISION	2 OF 2
		01	RE	M	

© 2024 CommScope, Inc. Confidential

4

3

2

1