

4

3

2

1

1.0 GENERAL NOTES

- 1.1 ALL METRIC DIMENSIONS ARE IN BRACKETS [X. X]
- 1.2 FOR PATENT INFO: <https://www.cs-pat.com>

2.0 DESIGN NOTES

3.0 MANUFACTURING/SPECIAL REQUIREMENTS

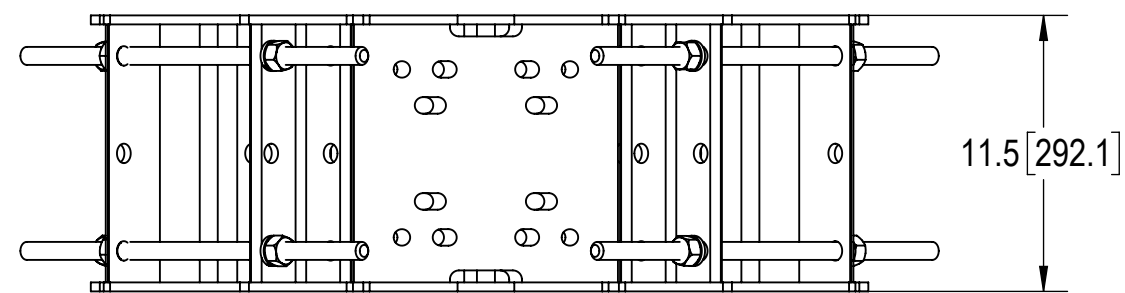
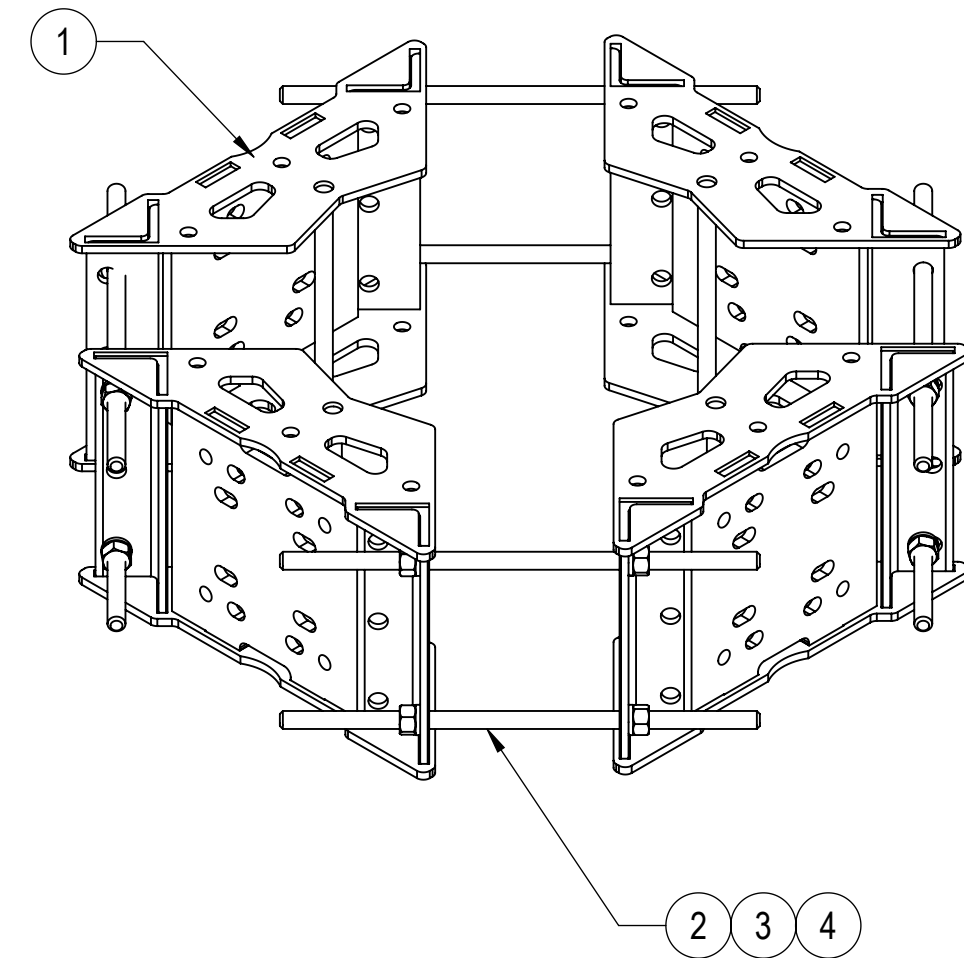
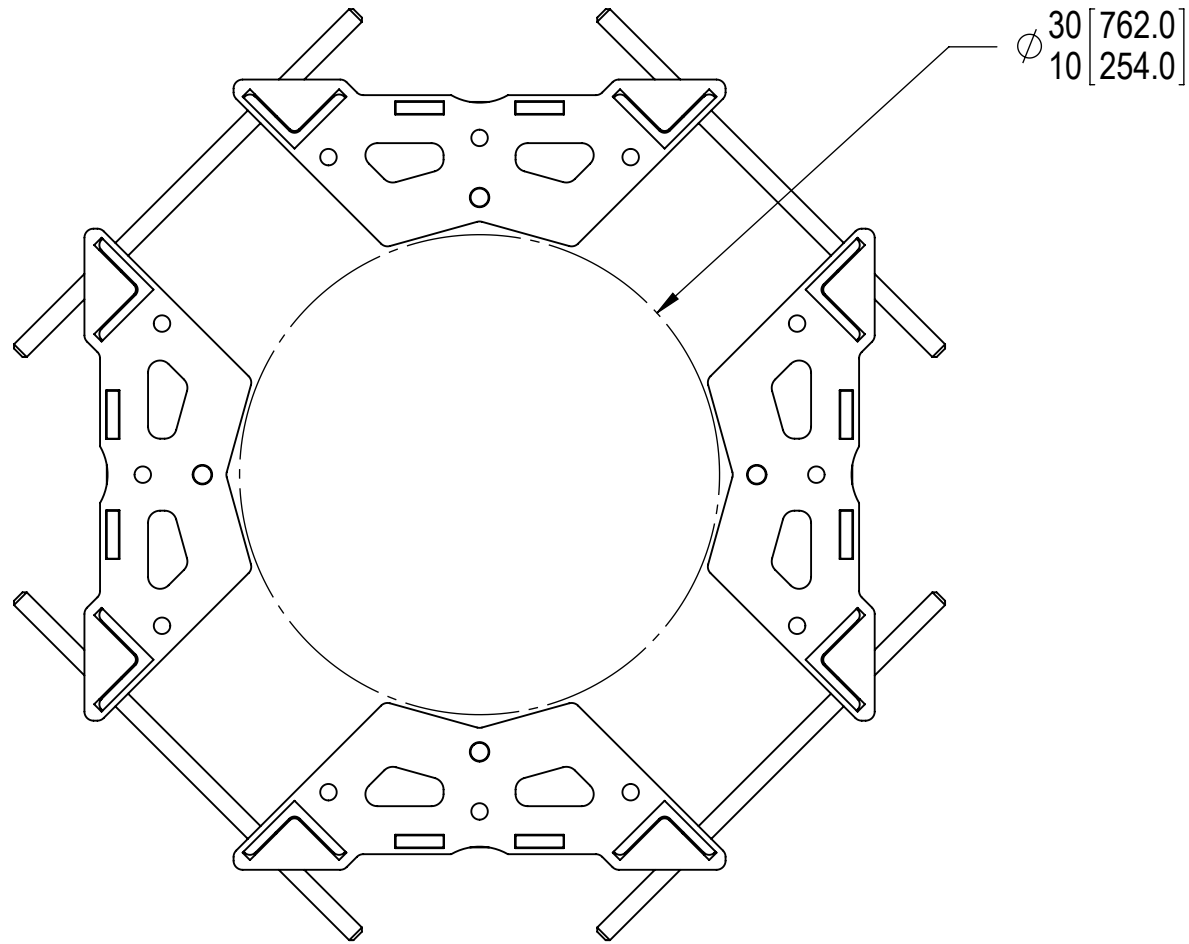
- 3.1 TIGHTEN ALL BOLTS SECURING FLAT PLATES BY THE TURN-OF-NUT METHOD. TIGHTEN ALL U-BOLTS USING TURN-OF-NUT METHOD WITH ATTENTION TO LEAVE EQUAL DISTANCE AND EQUAL FORCE ON EACH LEG OF THE U-BOLT.

4.0 TEST

5.0 PACKAGING

- 5.1 PACKAGING SHALL MEET COMMScope REQUIREMENTS PER DOCUMENT IS-PL-3005
- 5.2 PRINTED DOCUMENT TO BE PLACED INSIDE POLYBAG AND THEN IN SHIPPING CONTAINER
- 5.3 EXTRA HARDWARE MAY BE SUPPLIED, BAGGED AND SHIPPED

REVISIONS			
REV.	DESCRIPTION	DATE	APPROVED
F	REDESIGN	AW 05NOV04	
G	REDESIGN WELDMENT	MSM 16NOV11	
H	NEW DESIGN WELDMENT	MSM 12JUL16	TP 8000015106
J	DESIGN UPDATED	YX1027 27AUG24	AG1119 40201197CMO



COMPONENT PART NUMBERS PROVIDED FOR ASSEMBLY PURPOSES;  
INDIVIDUAL COMPONENTS MAY BE SHIPPED AS PARTS WITHIN AN INCLUDED KIT.

ITEM NO.	PART NUMBER	DESCRIPTION	QTY.	WEIGHT	NOTE NO.
1	RM1030405	10-30 4 SECTOR RM KIT	4	45.20 LBS	
2	MT-384-20	3/4" X 20" GALV THREADED ROD	8	2.48 LBS	
3	GWL-06	3/4" GALV LOCK WASHER	16	0.04 LBS	
4	GN-06	3/4" GALV HEX NUT	16	0.15 LBS	

DENSITY	203.64	lbs/in <sup>3</sup>
MASS	203.64	lbs
VOLUME	1180.13	in <sup>3</sup>
SURFACE AREA	6135.39	in <sup>2</sup>
HEIGHT	11.5"	
LENGTH	39.0"	
WIDTH	39.0"	

COMMScope, INC. OF NORTH CAROLINA											
TOLERANCES						SAP MATERIAL MASTER					
1 PLACE .X[X] ± 0.12[3.0]			3 PLACE .XXX[X] ± 0.03[0.8]			MC-RM1030-4					
2 PLACE .XX[X] ± 0.06[1.5]			ANGLES ± 2°								
FINISH						MATERIAL					
UNLESS OTHERWISE SPECIFIED DIMENSIONS ARE IN INCHES INTERPRET PER ANSI Y 14.5M-1994	NAME	DATE	TITLE								
	CE AW	05NOV04	FOUR SECTOR RING MOUNT, 10-30 OD								
	RW YX1027	08/27/2024									
	AD AG1119	09/04/2024									
	RE YMENG	09/11/2024									
ECN 40201197CMO			SCALE			DOCUMENT NO.					
			1:10			MC-RM1030-4					
SIZE	Auth Group	INSL	MODEL			DRAWING					
C			VERSION	STATUS	REVISION	VERSION	STATUS	REVISION	SHEET		
			01	RE	J	01	RE	J	1 OF 1		