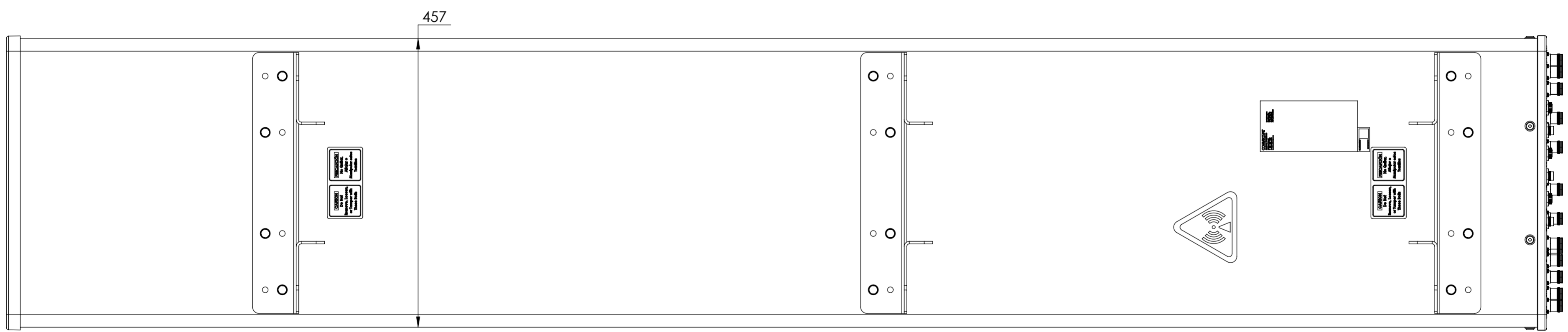
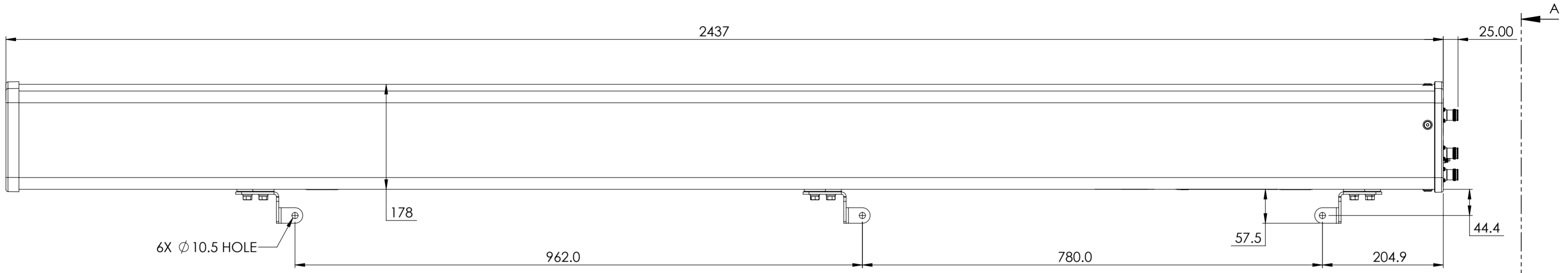
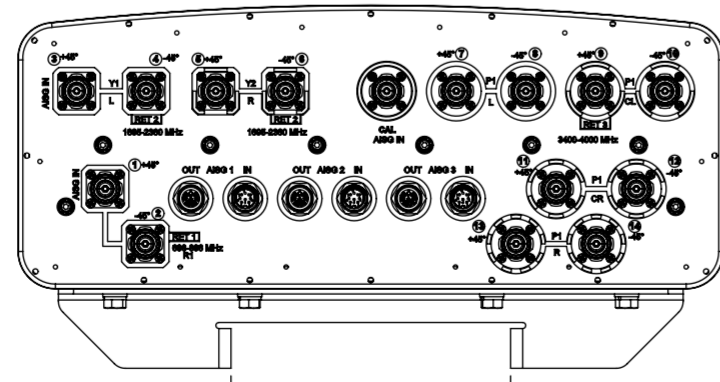


REVISION
B



NHHS4-45C-R3B



184.9
(INSIDE)

VIEW A-A
SCALE 1 : 5