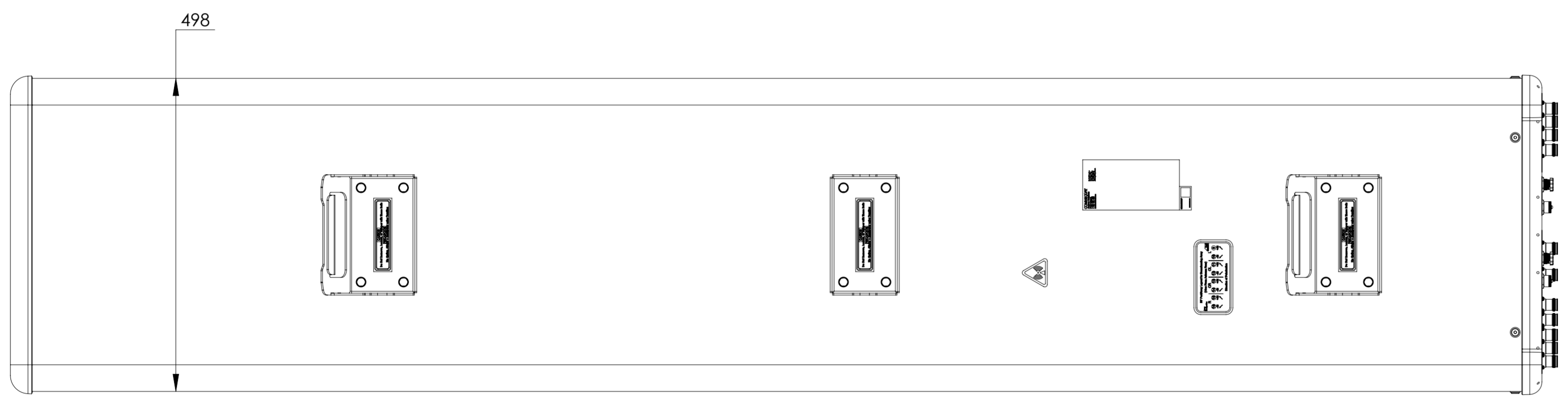
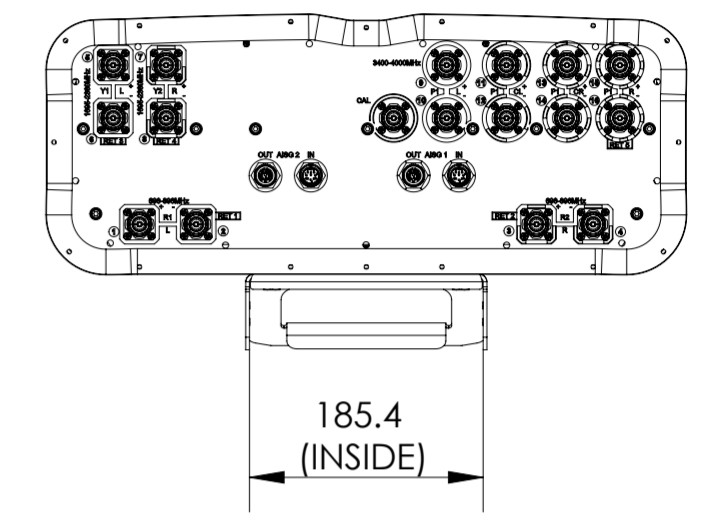
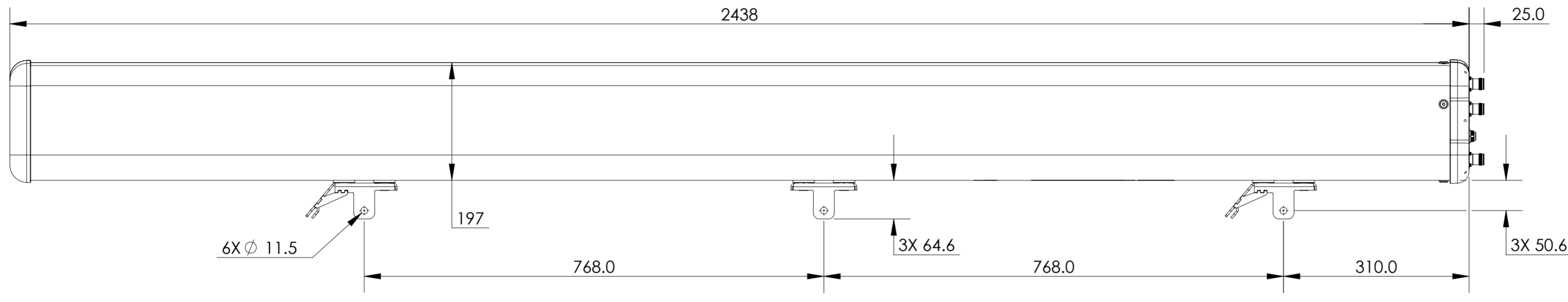


REVISION
F



NNHHS4-65C-R5