

NOTES:

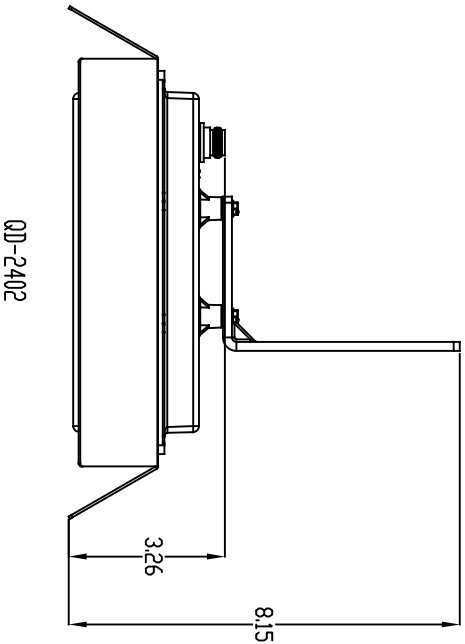
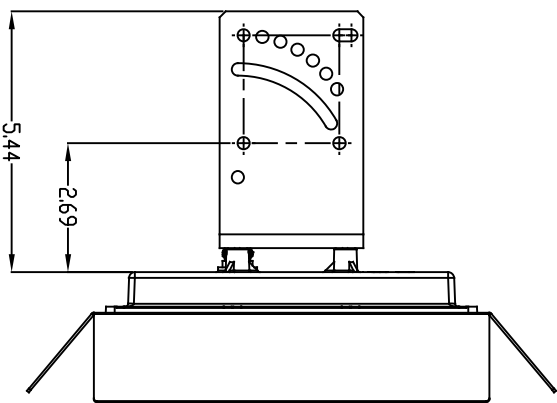
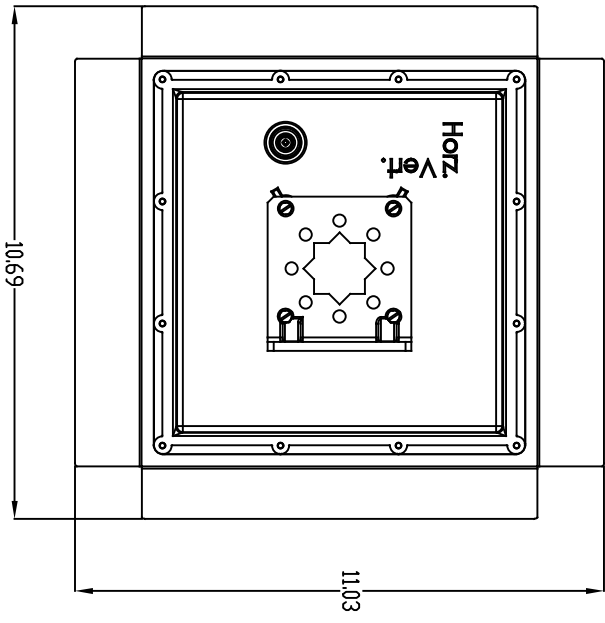
4

3

2

1

REVISION
A



A

B

C

D

A

B

C

D