

Installation Instructions

6W/11W GHz OMT installation.



Description

This OMT is designed to be installed on a TMW 6ft 6W/11W GHz Dual band antenna.

Notice

The installation, maintenance or removal of antenna systems requires qualified, experienced personnel. Commscope installation instructions have been written for such personnel. Antenna systems should be inspected once a year by qualified personnel to verify proper installation, maintenance, and condition of equipment. Commscope disclaims any liability or responsibility for the results of improper or unsafe installation practices.

Table 1, Parts List

Item	Description	Qty
1	OMT	1
2	O-ring	1
3	Silicon grease	1
4	M6 Bolt	4
5	M6 Washer	4
6	M6 Split Washer	4

Table 2. Fastener Torque Specifications

Fastener Torque value in NM (lb.ft) for each fastener size

Size	M3	M4	M5	M6	M8	M10	M12	M16
Stainless Steel	1.0 (0.7)	2.2 (1.67)	4.5 (3.3)	7.7 (5.7)	18.7 (13.8)	39.2 (28.9)	65.1 (48.0)	161 (118.7)
Galvanised Steel	0.59 (0.44)	1.2 (0.9)	2.7 (2.0)	4.5 (3.3)	11.1 (8.1)	22.0 (16.2)	38.0 (28.0)	95.0 (70.1)

Table 3, Tool Requirements

Tools required

Allen Key (A/F), 5mm
Combination spanner; 13mm A/F
Torque wrench, 13mm A/F



Main Hazards - Health Effects

Eyes: May cause irritation.

Inhalation: Viscous nature may block breathing passages if inhaled.

Ingestion: May cause diarrhoea.

Skin: For hypersensitive persons, may irritate the skin after long periods of contact.

Respiratory Protection: None needed.

Hand Protection: Protective gloves for hypersensitive persons.

Eye Protection: Glasses, if applied to parts in motion.

Body Protection: Overalls.

CommScope
1100 CommScope Place SE P.O. Box 339, Hickory, NC 28603-0339
(828) 324-2200 (800) 982-1708
www.commscope.com

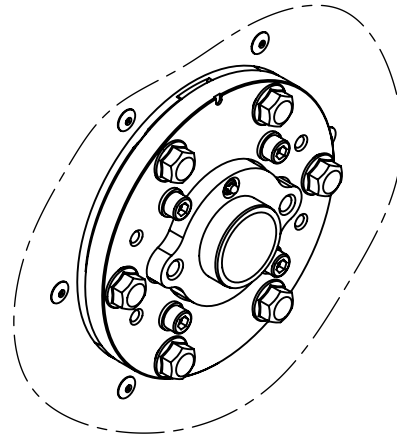
Notice: CommScope disclaims any liability or responsibility for the results of improper or unsafe installation, inspection, maintenance, or removal practices.
Aviso: CommScope no acepta ninguna obligación ni responsabilidad como resultado de prácticas incorrectas o peligrosas de instalación, inspección, mantenimiento o retiro. Avis : CommScope décline toute responsabilité pour les conséquences de procédures d'installation, d'inspection, d'entretien ou de retrait incorrectes ou dangereuses. Hinweis: CommScope lehnt jede Haftung oder Verantwortung für Schäden ab, die aufgrund unsachgemäßer Installation, Überprüfung, Wartung oder Demontage auftreten.

Atenção: A CommScope abdica do direito de toda responsabilidade pelos resultados de práticas inadequadas e sem segurança de instalação, inspeção, manutenção ou remoção. Avvertenza: CommScope declina eventuali responsabilità derivanti dall'esecuzione di procedure di installazione, ispezione, manutenzione e smontaggio improprie o poco sicure.

注意: CommScope 公司申明對於不恰當或不安全的安裝、檢驗、維修或拆卸操作所導致的後果不負責任。何義務和責任
© June, 2018 CommScope

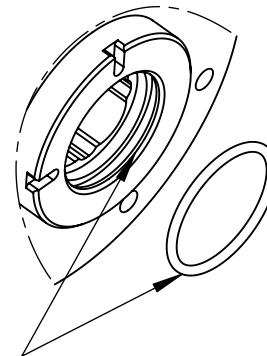
1

Remove any existing components (Green tape or dust cap) from rear of antenna.



2

Remove any existing components (Green tape or dust cap) from front port of OMT.



1. Smear O-ring with silicon grease (Item 2).

2. Fit O-ring (Item 3) to groove in OMT.

Customer Service 24 hours
North America: +1-800-255-1479 (toll free)
Any country: +1-779-435-6500
email: acicustomersupportcenter@commscope.com

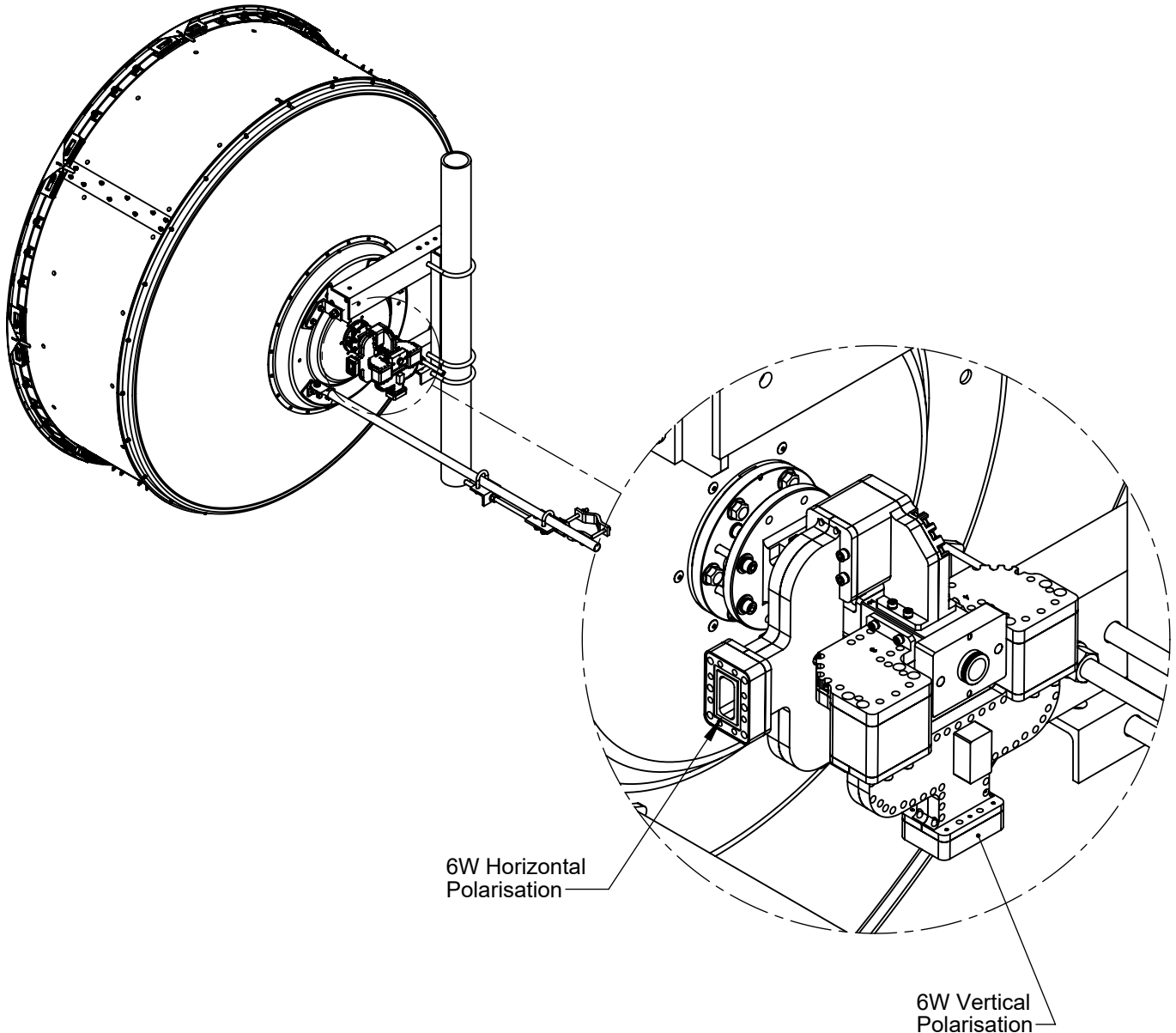




3. OMT ORIENTATION WITH RESPECT TO POLE MOUNTING:

A. LEFT MOUNTED OMT WITH RESPECT TO POLE

NOTE: OMT MOUNTED IN DIFFERENT ORIENTATIONS WITH RESPECT TO POLE ORIENTATION.



CommScope
1100 CommScope Place SE P.O. Box 339, Hickory, NC 28603-0339
(828) 324-2200 (800) 982-1708
www.commscope.com

Notice: CommScope disclaims any liability or responsibility for the results of improper or unsafe installation, inspection, maintenance, or removal practices.
Aviso: CommScope no acepta ninguna obligación ni responsabilidad como resultado de prácticas incorrectas o peligrosas de instalación, inspección, mantenimiento o retiro. Avis : CommScope décline toute responsabilité pour les conséquences de procédures d'installation, d'inspection, d'entretien ou de retrait incorrectes ou dangereuses. Hinweis: CommScope lehnt jede Haftung oder Verantwortung für Schäden ab, die aufgrund unsachgemäßer Installation, Überprüfung, Wartung oder Demontage auftreten.
Atenção: A CommScope abdica do direito de toda responsabilidade pelos resultados de práticas inadequadas e sem segurança de instalação, inspeção, manutenção ou remoção. Avvertenza: CommScope declina eventuali responsabilità derivanti dall'esecuzione di procedure di installazione, ispezione, manutenzione e smontaggio improprie o poco sicure.

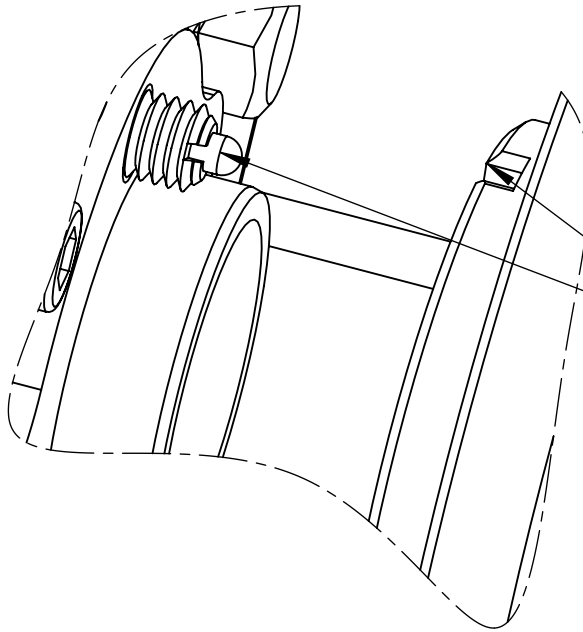
注意: CommScope 公司申明對於不恰當或不安全的安裝、檢驗、維修或拆卸操作所導致的後果不負責任 何義務和責任
© June, 2018 CommScope

Customer Service 24 hours
North America: +1-800-255-1479 (toll free)
Any country: +1-779-435-6500
email: acicustomersupportcenter@commscope.com






A.1. LEFT MOUNTED OMT WITH RESPECT TO POLE



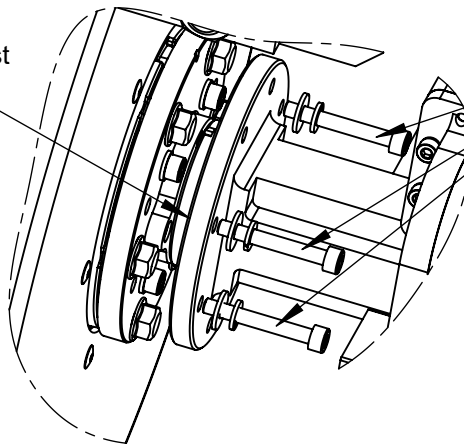
Apply silicon grease (Item 3) to mating surfaces prior to assembly.

 Mount OMT onto antenna by aligning slot to the spring plunger on the feed assembly.

A.2. LEFT MOUNTED OMT WITH RESPECT TO POLE



1. Ensure face of OMT is fully seated against antenna face.



2. Apply silicon grease (item 3) to fasteners prior to assembly.

3. Once correctly positioned finger tighten 4-off M6 bolts (Item 4) with 4-off washers (item 5) and 4-off split washers (item 6), then tighten to a torque of 7.7Nm \pm 5% Torque setting must be set correctly with appropriate tool.

CommScope
1100 CommScope Place SE P.O. Box 339, Hickory, NC 28603-0339
(828) 324-2200 (800) 982-1708
www.commscope.com

Notice: CommScope disclaims any liability or responsibility for the results of improper or unsafe installation, inspection, maintenance, or removal practices.
Aviso: CommScope no acepta ninguna obligación ni responsabilidad como resultado de prácticas incorrectas o peligrosas de instalación, inspección, mantenimiento o retiro. Avis : CommScope décline toute responsabilité pour les conséquences de procédures d'installation, d'inspection, d'entretien ou de retrait incorrectes ou dangereuses. Hinweis: CommScope lehnt jede Haftung oder Verantwortung für Schäden ab, die aufgrund unsachgemäßer Installation, Überprüfung, Wartung oder Demontage auftreten.
Atenção: A CommScope abdica do direito de toda responsabilidade pelos resultados de práticas inadequadas e sem segurança de instalação, inspeção, manutenção ou remoção. Avvertenza: CommScope declina eventuali responsabilità derivanti dall'esecuzione di procedure di installazione, ispezione, manutenzione e smontaggio improprie o poco sicure.

注意: CommScope 公司申明對於不恰當或不安全的安裝、檢驗、維修或拆卸操作所導致的後果不負任何義務和責任
© June, 2018 CommScope

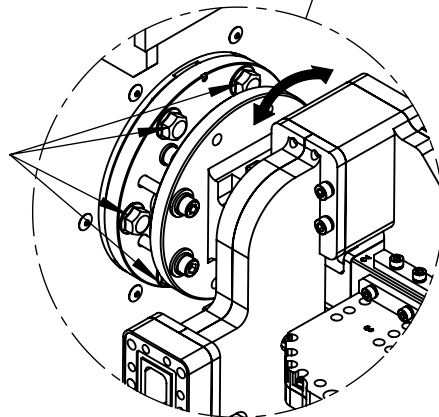
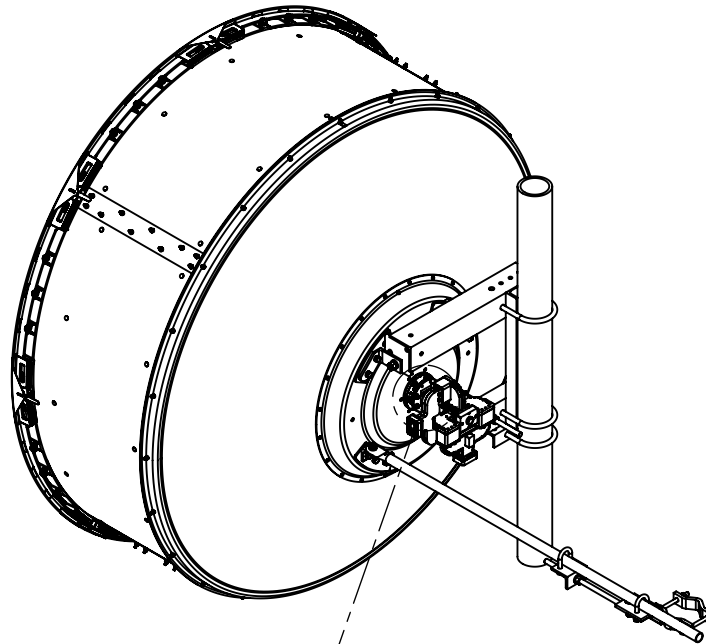
Customer Service 24 hours
North America: +1-800-255-1479 (toll free)
Any country: +1-779-435-6500
email: acicustomersupportcenter@commscope.com





A.3. LEFT MOUNTED WITH RESPECT TO POLE

1. Loosen 6-off M8 Hex bolts 2 or 3 turns to allow rotate feed assembly.
2. Rotate feed assembly $\pm 5^\circ$ for aligning polarisation if required.
3. After rotated to required angle torque 6-off M8 bolts (6) to a torque of 18.7Nm 5%
4. Align the 11W DP Transition as per instruction 7813017



CommScope
1100 CommScope Place SE P.O. Box 339, Hickory, NC 28603-0339
(828) 324-2200 (800) 982-1708
www.commscope.com

Notice: CommScope disclaims any liability or responsibility for the results of improper or unsafe installation, inspection, maintenance, or removal practices.
Aviso: CommScope no acepta ninguna obligación ni responsabilidad como resultado de prácticas incorrectas o peligrosas de instalación, inspección, mantenimiento o retiro. Avis : CommScope décline toute responsabilité pour les conséquences de procédures d'installation, d'inspection, d'entretien ou de retrait incorrectes ou dangereuses. Hinweis: CommScope lehnt jede Haftung oder Verantwortung für Schäden ab, die aufgrund unsachgemäßer Installation, Überprüfung, Wartung oder Demontage auftreten.
Atenção: A CommScope abdica do direito de toda responsabilidade pelos resultados de práticas inadequadas e sem segurança de instalação, inspeção, manutenção ou remoção. Avvertenza: CommScope declina eventuali responsabilità derivanti dall'esecuzione di procedure di installazione, ispezione, manutenzione e smontaggio improprie o poco sicure.

注意: CommScope 公司申明對於不恰當或不安全的安裝、檢驗、維修或拆卸操作所導致的後果不負任何義務和責任
© June, 2018 CommScope

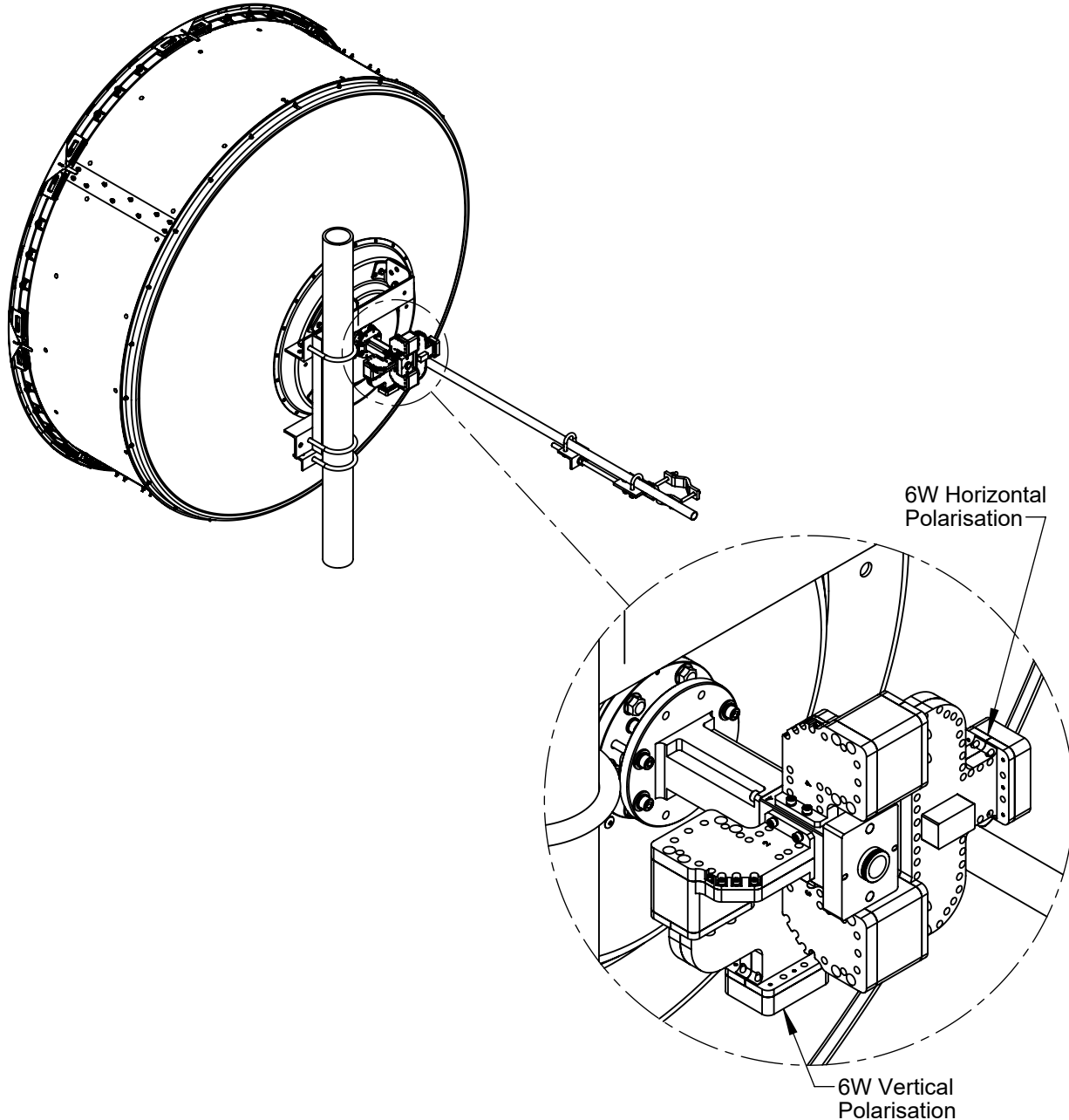
Customer Service 24 hours
North America: +1-800-255-1479 (toll free)
Any country: +1-779-435-6500
email: acicustomersupportcenter@commscope.com





3. OMT ORIENTATION WITH RESPECT TO POLE MOUNTING:

B. RIGHT MOUNTED OMT WITH RESPECT TO POLE



CommScope

1100 CommScope Place SE P.O. Box 339, Hickory, NC 28603-0339
(828) 324-2200 (800) 982-1708
www.commscope.com

Notice: CommScope disclaims any liability or responsibility for the results of improper or unsafe installation, inspection, maintenance, or removal practices.

Aviso: CommScope no acepta ninguna obligación ni responsabilidad como resultado de prácticas incorrectas o peligrosas de instalación, inspección, mantenimiento o retiro. Avis: CommScope décline toute responsabilité pour les conséquences de procédures d'installation, d'inspection, d'entretien ou de retrait incorrectes ou dangereuses. Hinweis: CommScope lehnt jede Haftung oder Verantwortung für Schäden ab, die aufgrund unsachgemäßer Installation, Überprüfung, Wartung oder Demontage auftreten.

Atenção: A CommScope abdica do direito de toda responsabilidade pelos resultados de práticas inadequadas e sem segurança de instalação, inspeção, manutenção ou remoção. Avvertenza: CommScope declina eventuali responsabilità derivanti dall'esecuzione di procedure di installazione, ispezione, manutenzione e smontaggio improprie o poco sicure.

注意: CommScope 公司申明對於不恰當或不安全的安裝、檢驗、維修或拆卸操作所導致的後果不負任何義務和責任
© June, 2018 CommScope

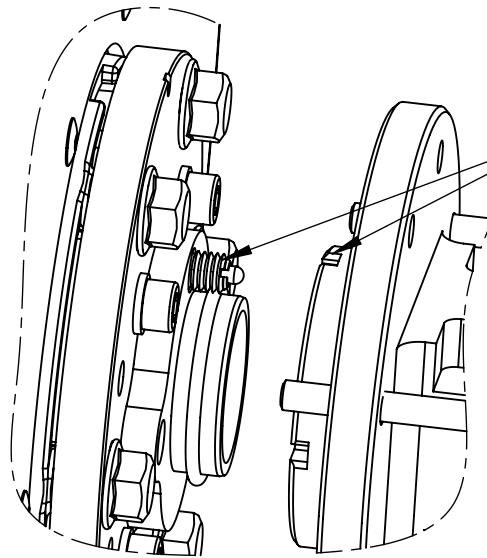
Customer Service 24 hours

North America: +1-800-255-1479 (toll free)
Any country: +1-779-435-6500
email: acicustomersupportcenter@commscope.com





B.1. RIGHT MOUNTED OMT WITH RESPECT TO POLE



Apply silicon grease (item 3) to mating surfaces prior to assembly.

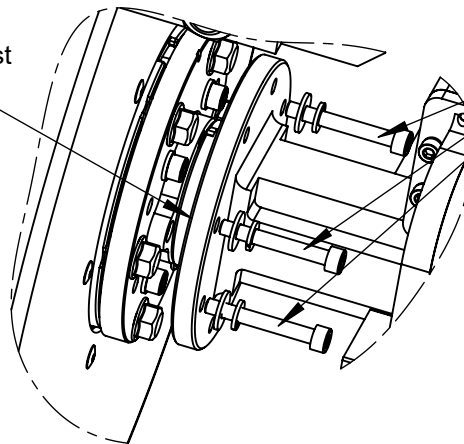


Mount OMT (Item 1) onto antenna by aligning slot to the spring plunger on the feed assembly.

B.2. RIGHT MOUNTED OMT WITH RESPECT TO POLE



1. Ensure face of OMT is fully seated against antenna face.



2. Apply silicon grease (item 3) to fasteners prior to assembly.

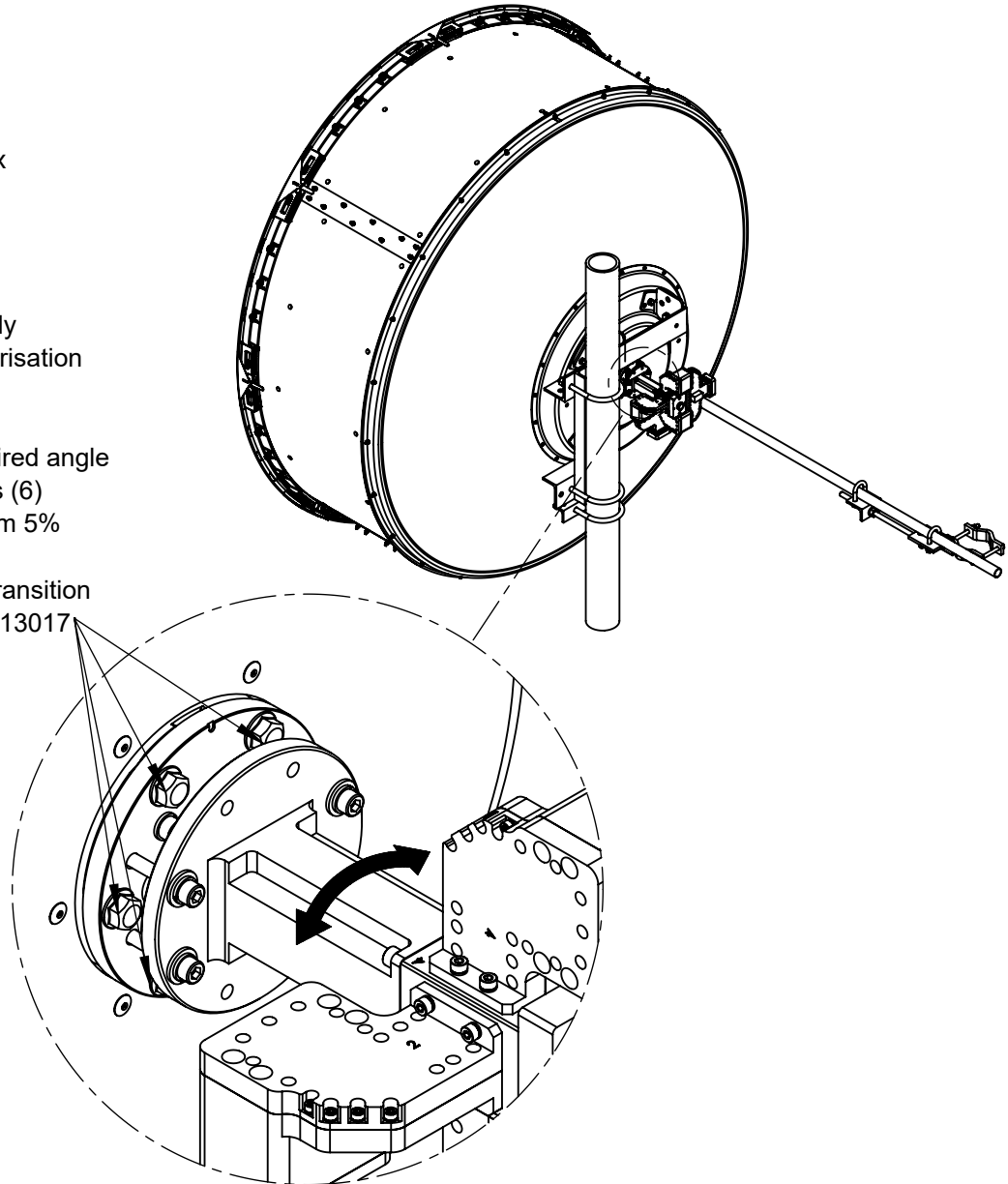
3. Once correctly aligned finger tighten 4-off M6 bolts (Item 4) with 4-off washers (item 5) and 4-off split washers (item 6), then tighten to a torque of 7.7Nm \pm 5% Torque setting must be set correctly with appropriate tool.





B.3. RIGHT MOUNTED OMT WITH RESPECT TO POLE

1. Loosen 6-off M8 Hex bolts 2 or 3 turns to allow rotate feed assembly.
2. Rotate feed assembly $\pm 5^\circ$ for aligning polarisation if required.
3. After rotated to required angle torque 6-off M8 bolts (6) to a torque of 18.7Nm 5%
4. Align the 11W DP Transition as per instruction 7813017



CommScope
1100 CommScope Place SE P.O. Box 339, Hickory, NC 28603-0339
(828) 324-2200 (800) 982-1708
www.commscope.com

Notice: CommScope disclaims any liability or responsibility for the results of improper or unsafe installation, inspection, maintenance, or removal practices.
Aviso: CommScope no acepta ninguna obligación ni responsabilidad como resultado de prácticas incorrectas o peligrosas de instalación, inspección, mantenimiento o retiro. Avis : CommScope décline toute responsabilité pour les conséquences de procédures d'installation, d'inspection, d'entretien ou de retrait incorrectes ou dangereuses. Hinweis: CommScope lehnt jede Haftung oder Verantwortung für Schäden ab, die aufgrund unsachgemäßer Installation, Überprüfung, Wartung oder Demontage auftreten.
Atenção: A CommScope abdica do direito de toda responsabilidade pelos resultados de práticas inadequadas e sem segurança de instalação, inspeção, manutenção ou remoção. Avvertenza: CommScope declina eventuali responsabilità derivanti dall'esecuzione di procedure di installazione, ispezione, manutenzione e smontaggio improprie o poco sicure.

注意: CommScope 公司申明對於不恰當或不安全的安裝、檢驗、維修或拆卸操作所導致的後果不負任何義務和責任
© June, 2018 CommScope

Customer Service 24 hours
North America: +1-800-255-1479 (toll free)
Any country: +1-779-435-6500
email: acicustomersupportcenter@commscope.com

