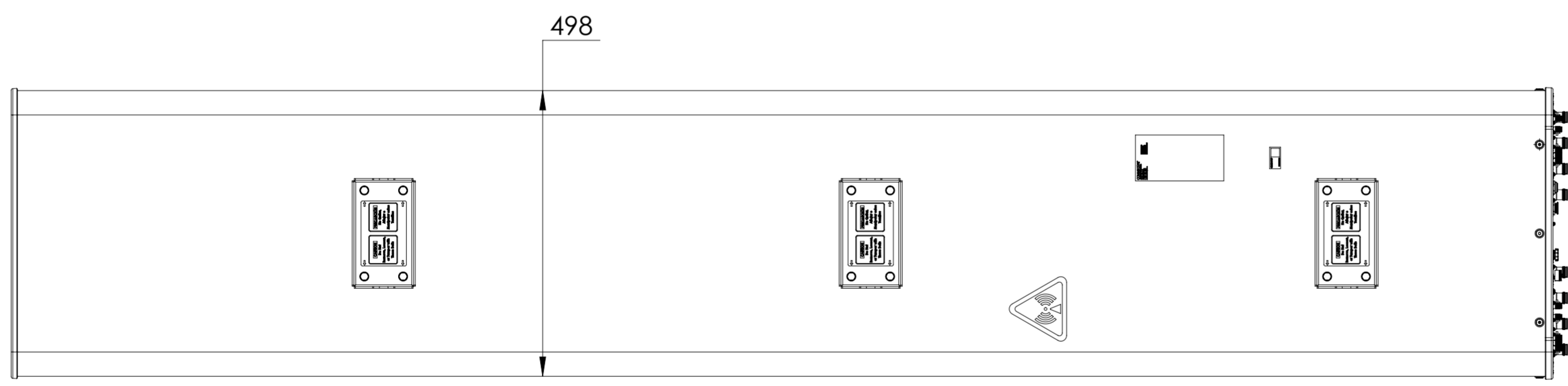
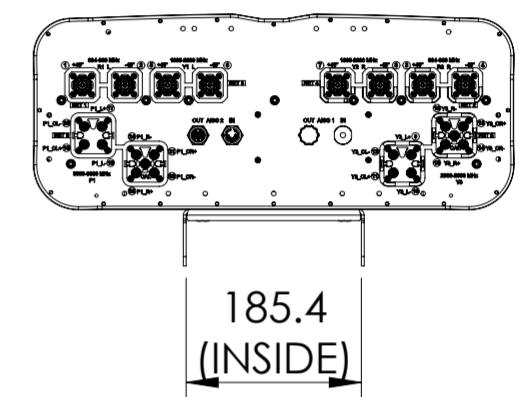
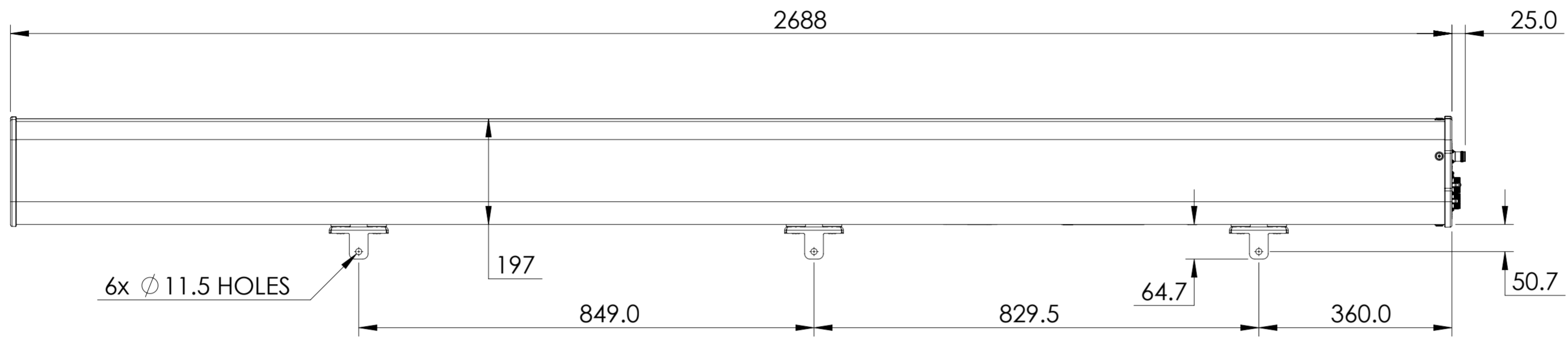


NOTES:

REVISION
B



RRVVT4S4-65D-R6