

4

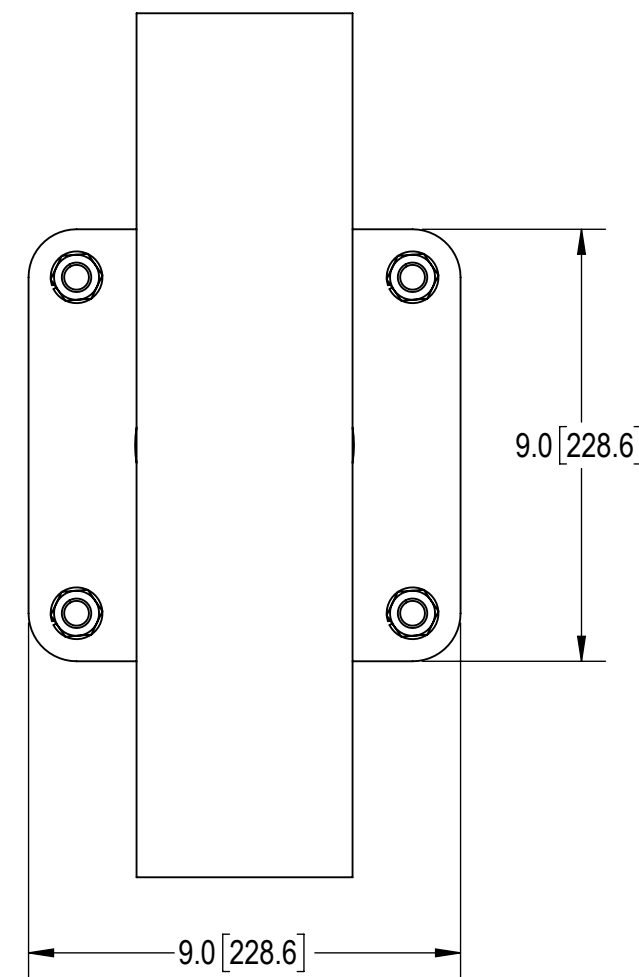
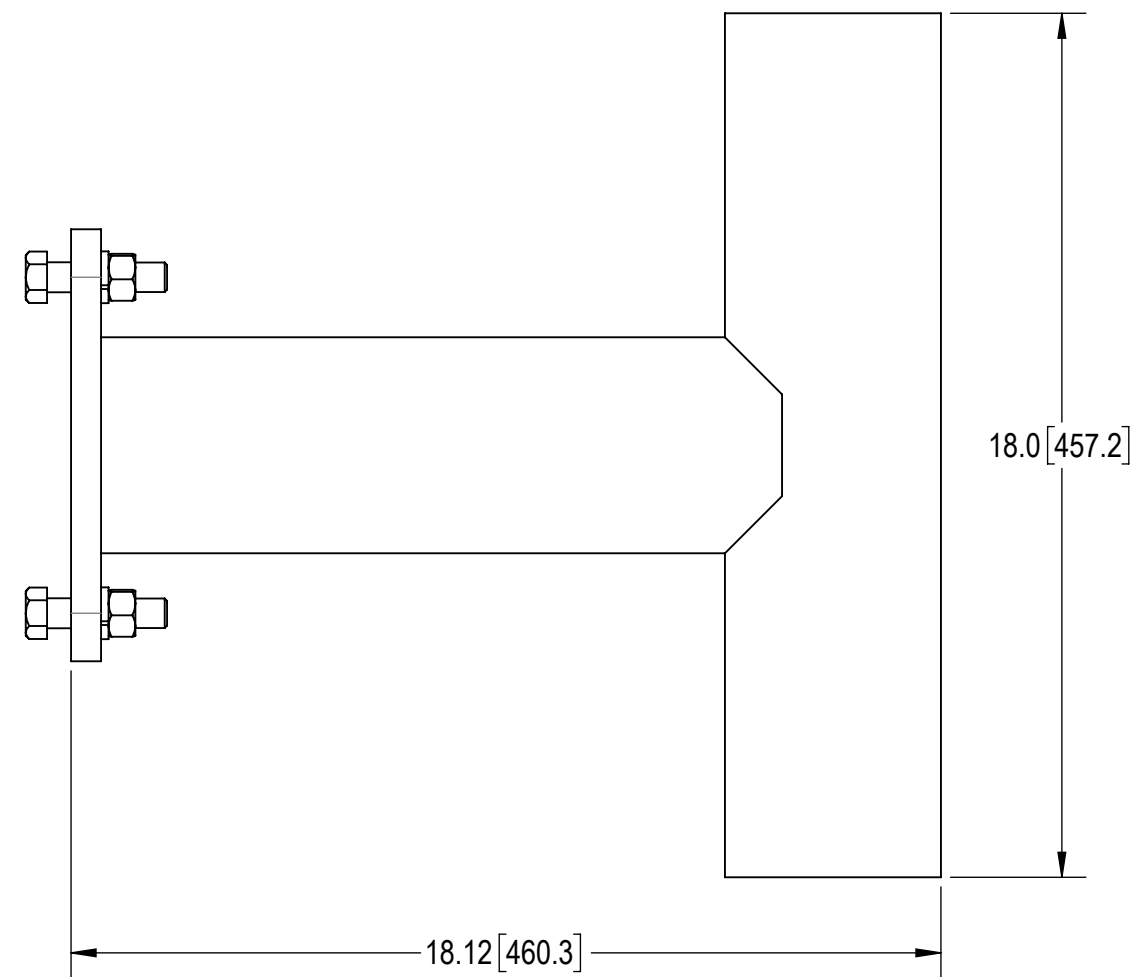
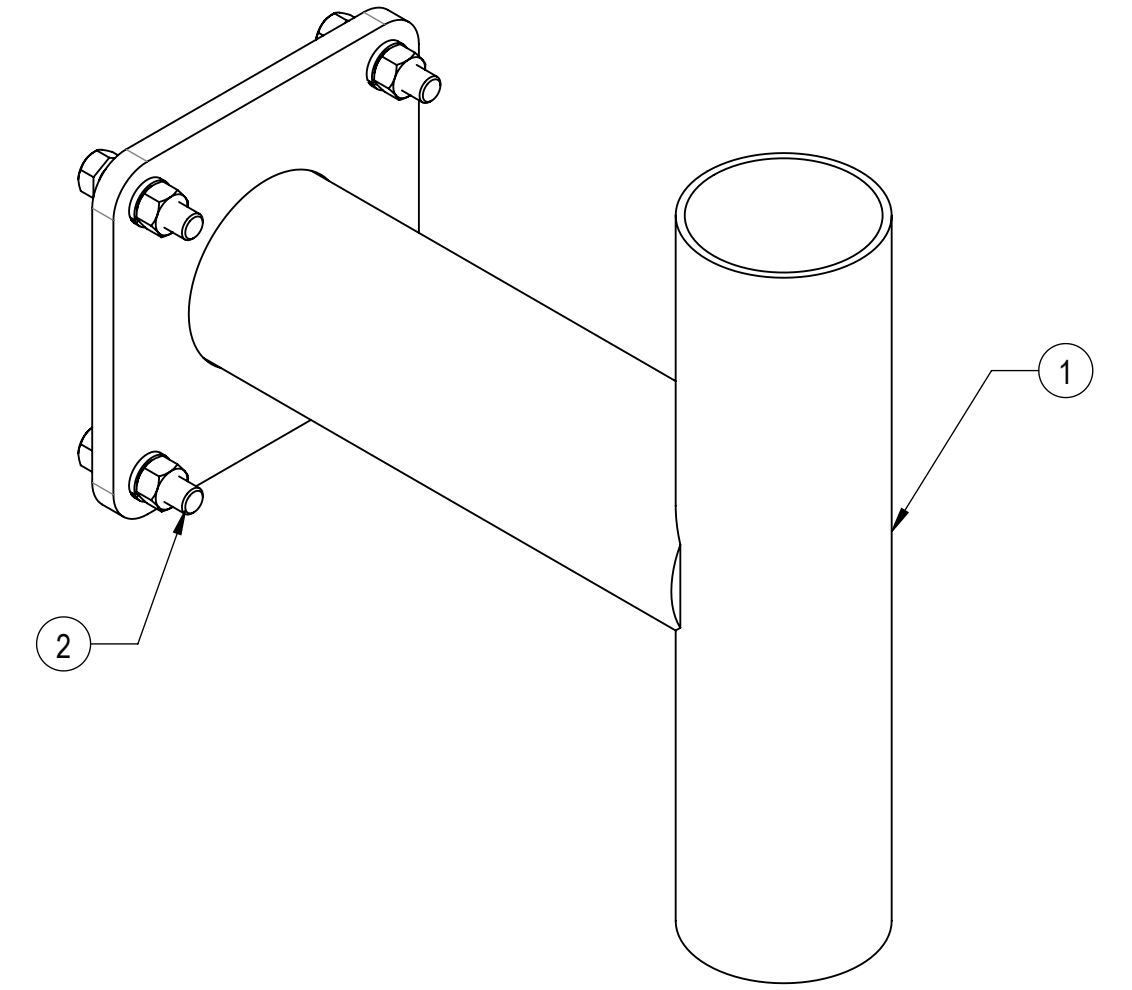
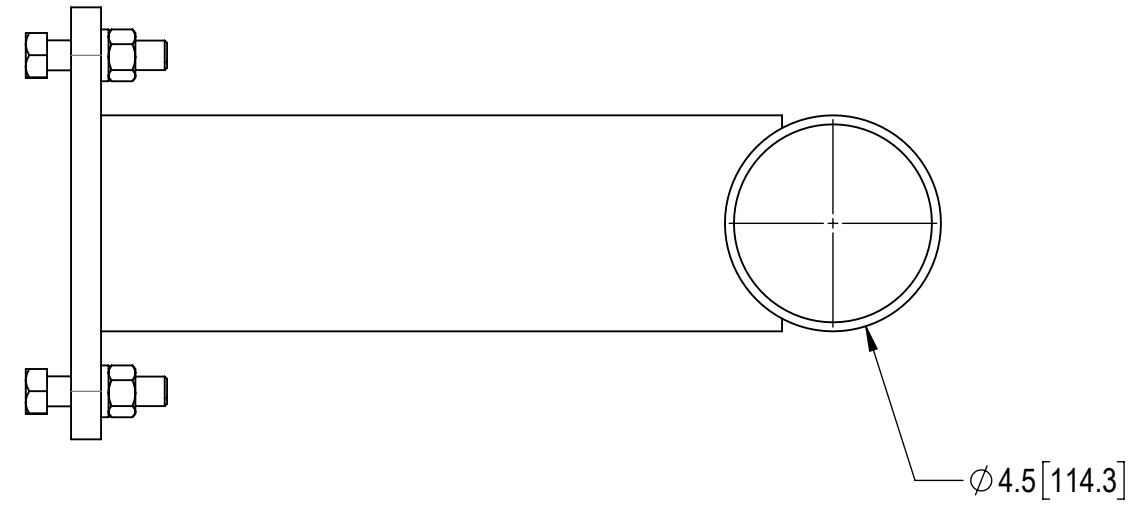
3

2

1

- 1.0 GENERAL NOTES
 1.1 ALL METRIC DIMENSIONS ARE IN BRACKETS [X.X]
 1.2 FOR PATENT INFO: <https://www.cs-pat.com>
 2.0 DESIGN NOTES
 3.0 MANUFACTURING/SPECIAL REQUIREMENTS
 3.1 TIGHTEN ALL BOLTS SECURING FLAT PLATES BY THE TURN-OF-NUT METHOD. TIGHTEN ALL U-BOLTS USING TURN-OF-NUT METHOD WITH ATTENTION TO LEAVE EQUAL DISTANCE AND EQUAL FORCE ON EACH LEG OF THE U-BOLT.
 4.0 TEST
 5.0 PACKAGING
 5.1 PACKAGING SHALL MEET COMMSCOPE REQUIREMENTS PER DOCUMENT IS-PL-3005
 5.2 PRINTED DOCUMENT TO BE PLACED INSIDE POLYBAG AND THEN IN SHIPPING CONTAINER
 5.3 EXTRA HARDWARE MAY BE SUPPLIED, BAGGED AND SHIPPED

REVISIONS			
REV.	DESCRIPTION	DATE	APPROVED
A	INITIAL RELEASE	MSM 11/20/09	
B	UPDATED DRAWING TO NEW FORMAT	RY1002 09OCT24	BCROSS 40206191CMO



COMMSCOPE, INC. OF NORTH CAROLINA

TOLERANCES		SAP MATERIAL MASTER	
1 PLACE .X[X] ± 0.12[3.0]	3 PLACE .XXX[X] ± 0.030[0.8]	MT-197-18	
2 PLACE .XX[X] ± 0.06[1.5]	ANGLES ± 2°		
FINISH		MATERIAL	
UNLESS OTHERWISE SPECIFIED DIMENSIONS ARE IN INCHES INTERPRET PER ANSI Y 14.5M-1994	NAME	DATE	TITLE
	CE MSM	11/20/09	18" SINGLE SUPPORT ARM KIT
	RW LS1146	10/10/2024	
	AD YMENG	10/11/2024	SCALE
	RE YMENG	10/11/2024	DOCUMENT NO.
ECN 40206191CMO		MT-197-18	
SIZE	Auth Group	INSL	MODEL
C		VERSION	STATUS
		01	RE
		REVISION	VERSION
		B	01
		DRAWING	STATUS
		RE	B
		REVISION	REVISION
		B	B
		SHEET	1 OF 1

COMPONENT PART NUMBERS PROVIDED FOR ASSEMBLY PURPOSES;
 INDIVIDUAL COMPONENTS MAY BE SHIPPED AS PARTS WITHIN AN INCLUDED KIT.

ITEM	PART NO.	DESCRIPTION	QTY.	WEIGHT	NOTE NO.
1	MT1971801	18" SINGLE SUPPORT ARM	1	41.12 LBS	
2	GB-0524A	5/8" X 2-1/2" GALV BOLT KIT (A325)	4	0.30 LBS	

4

3

2

1