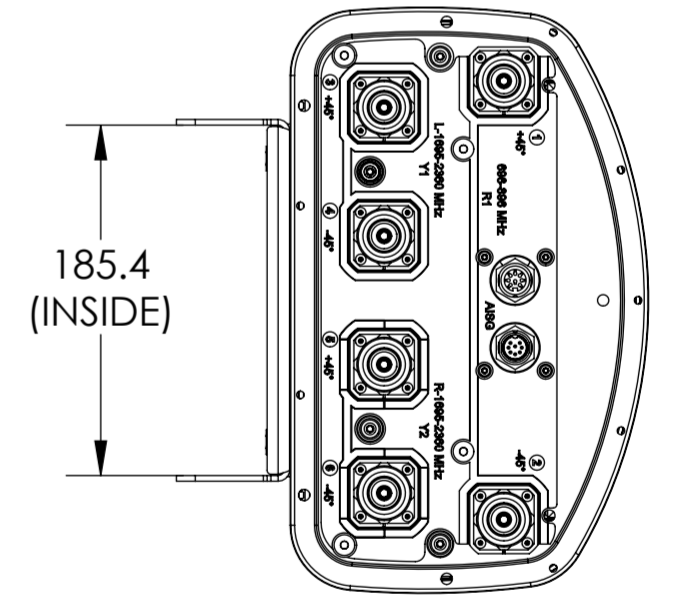
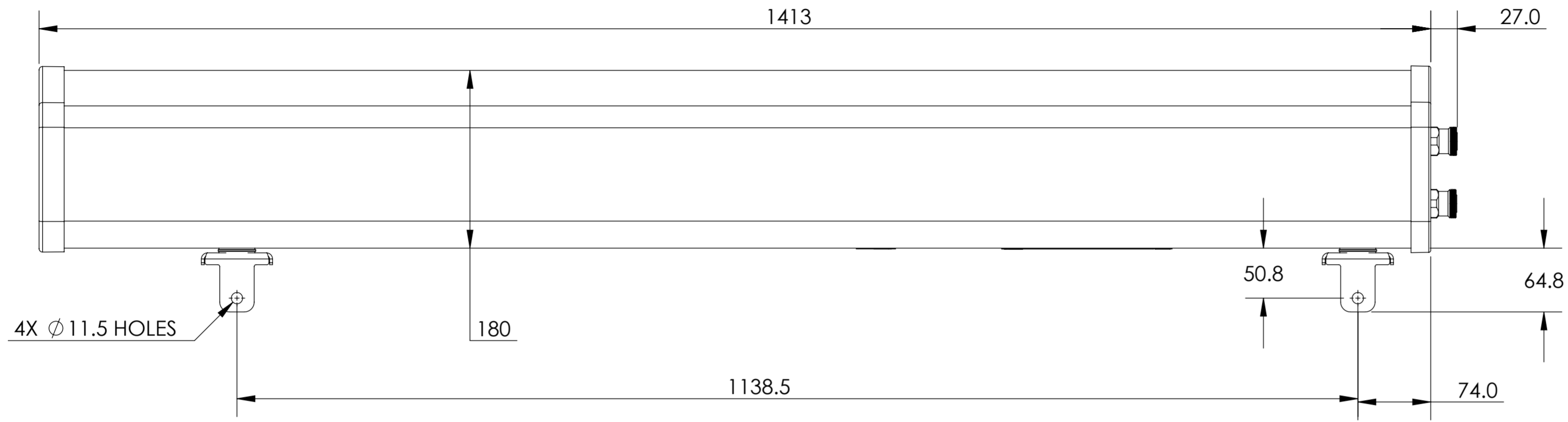


NOTES:

REVISION
H



SBNHH-1D65A  
 SBNHH-1D65A.TMO  
 SBNHH-1D65A-SR