

8

7

6

5

4

3

2

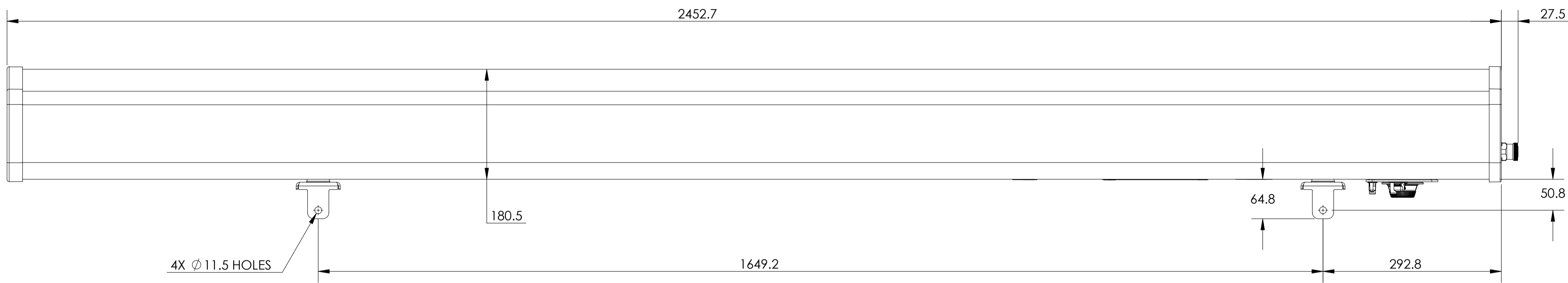
1

NOTES:

REVISION
D

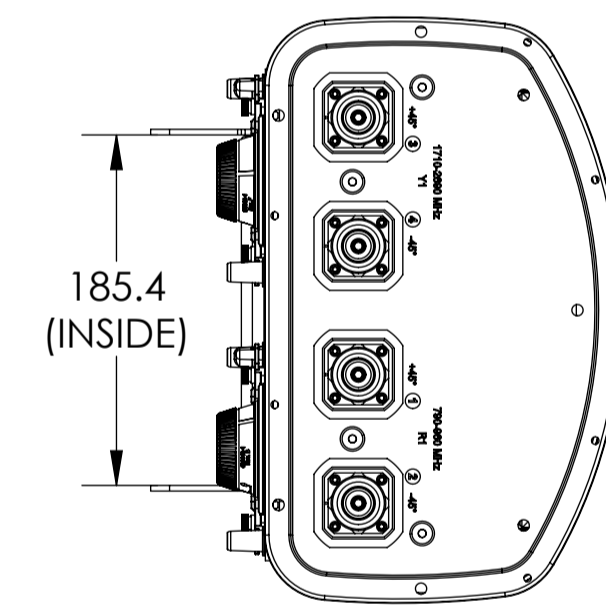
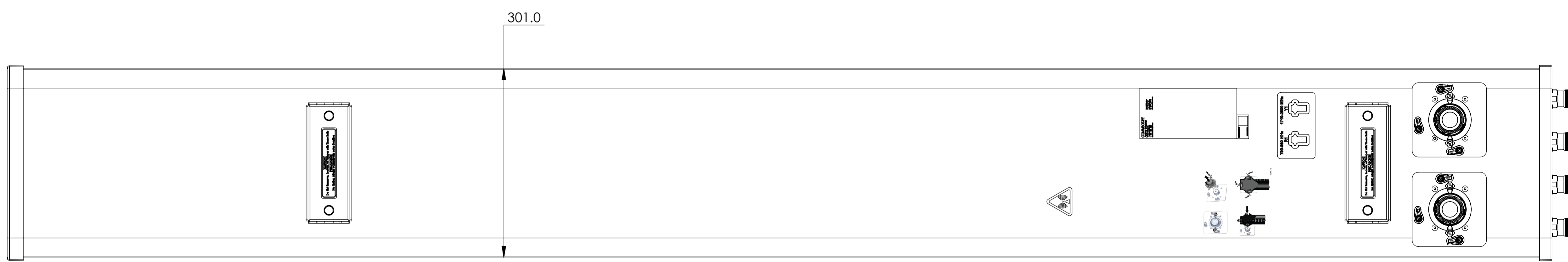
D

D



THIRD ANGLE PROJECTION

C



B

CV65CSX-M

A

A

8

7

6

THIRD ANGLE PROJECTION

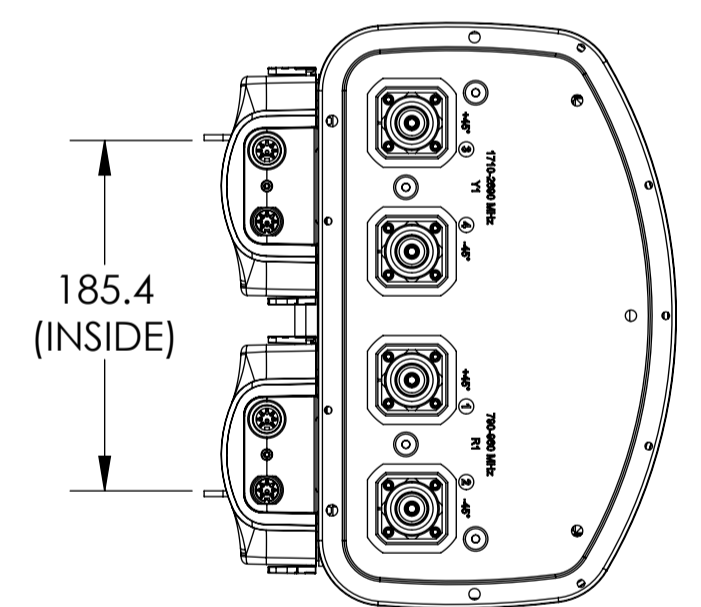
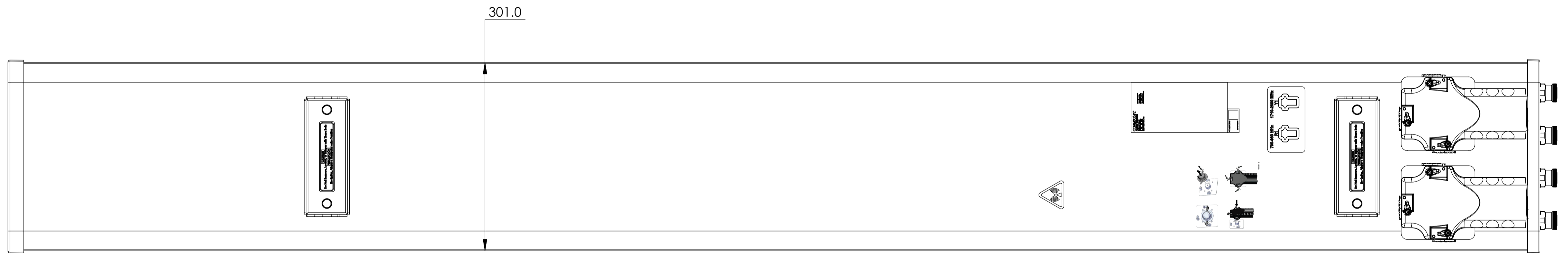
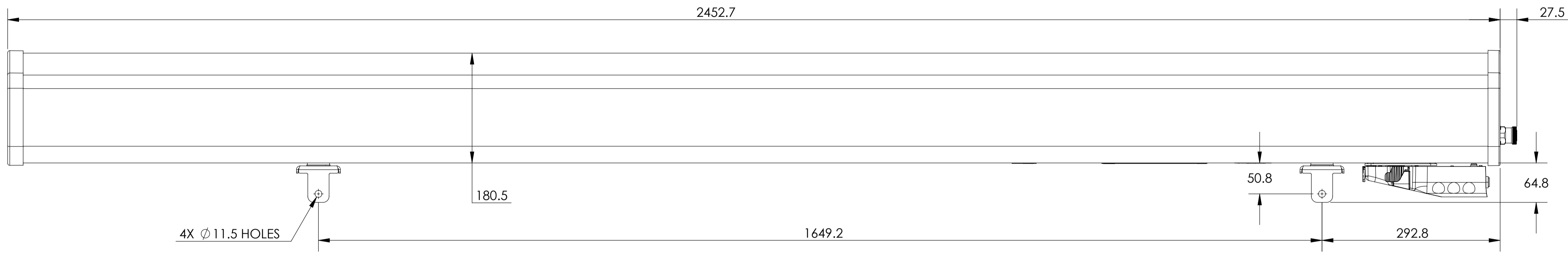
3

2

1

THIRD ANGLE PROJECTION

8 7 6 5 4 3 2 1



CV65CSX-2X2

8 7 6 5 4 3 2 1

THIRD ANGLE PROJECTION