

8

7

6

5

4

3

2

1

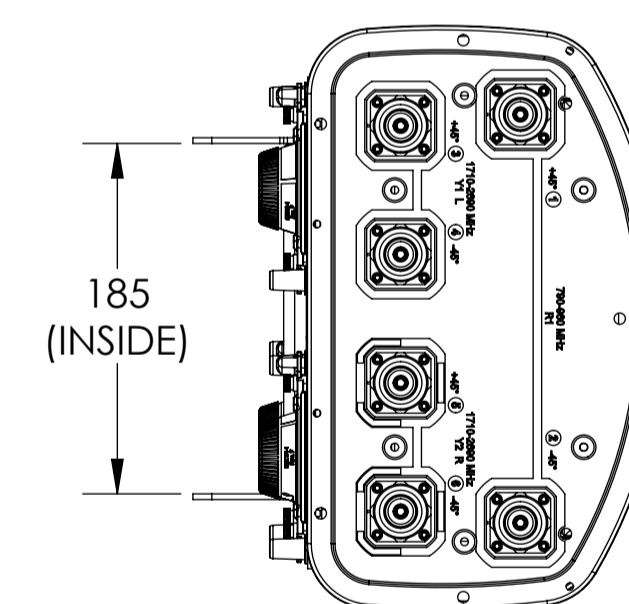
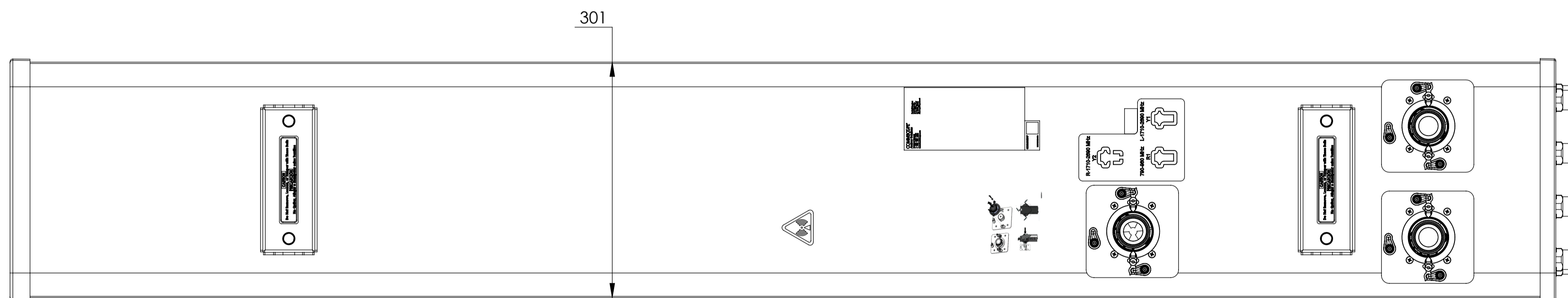
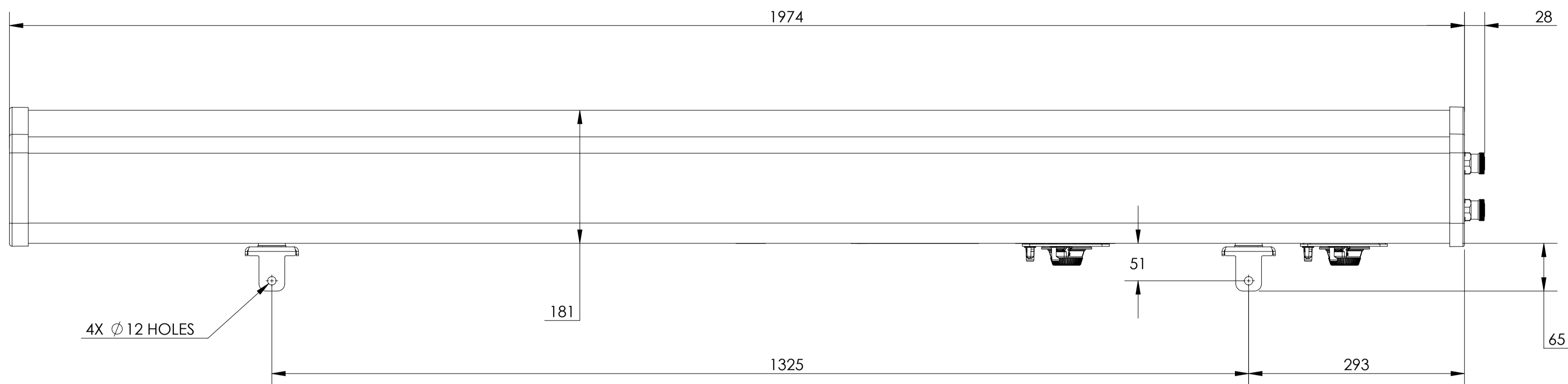
NOTES:

REVISION

M

D

D



CVV65BSX-M
 CVV65BSXT-M
 CVV65BSX-M.NM

A

A

B

CONFIDENTIAL

© 2024 CommScope, LLC. All rights reserved.

8

7

6

THIRD ANGLE PROJECTION

3

2

1

8

7

6

5

4

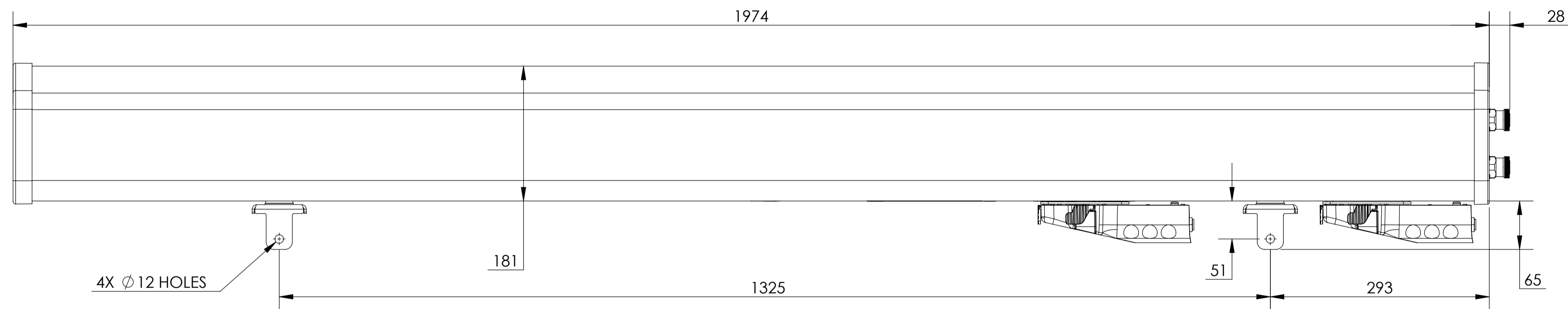
3

2

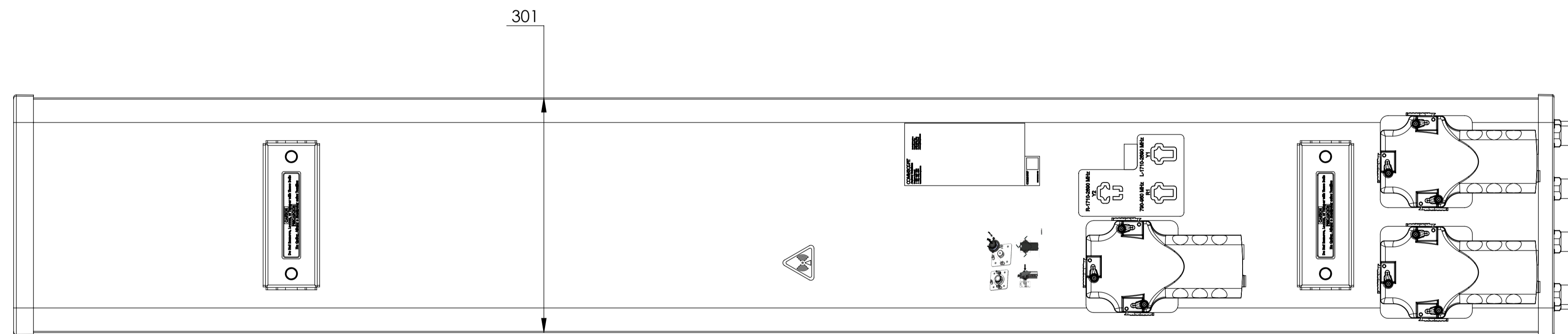
1

D

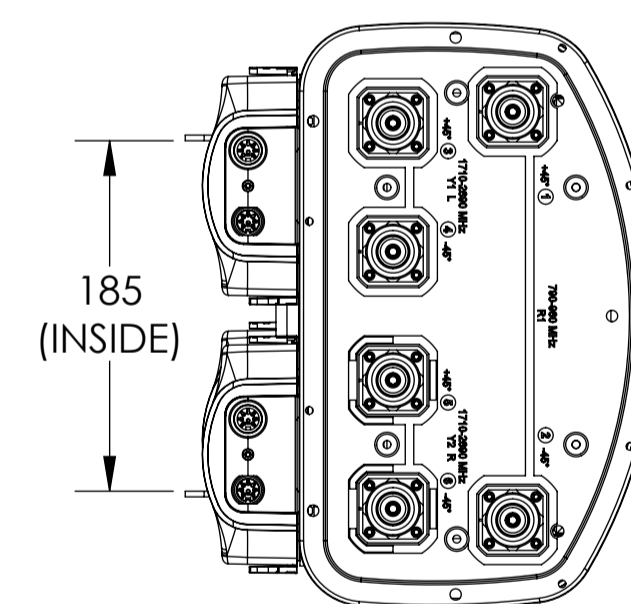
D



C



B



A

CVV65BSX-3X2
CVV65BSX-3X2.NM

A

8

7

6

THIRD ANGLE PROJECTION

CONFIDENTIAL

3

© 2024 CommScope, LLC. All rights reserved.

2

1

8

7

6

5

4

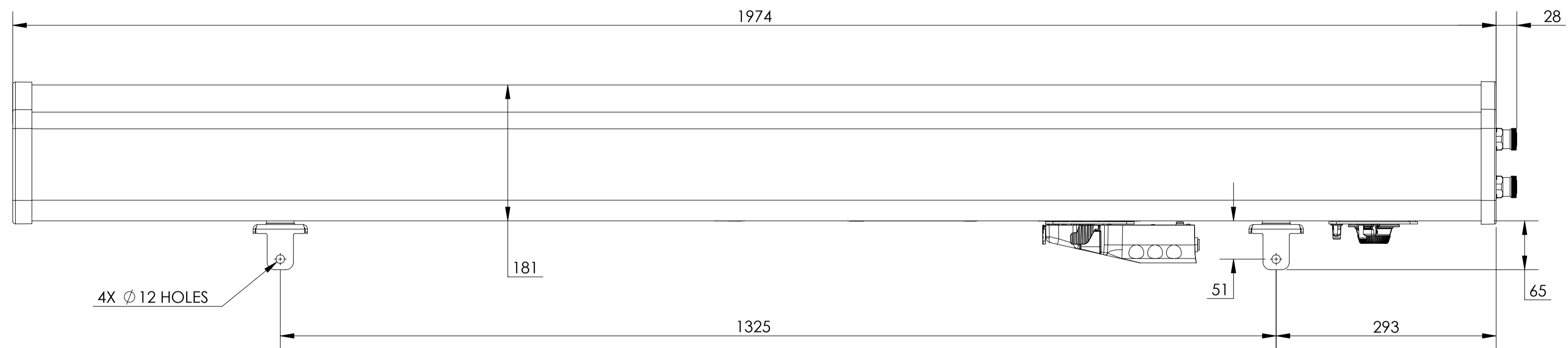
3

2

1

D

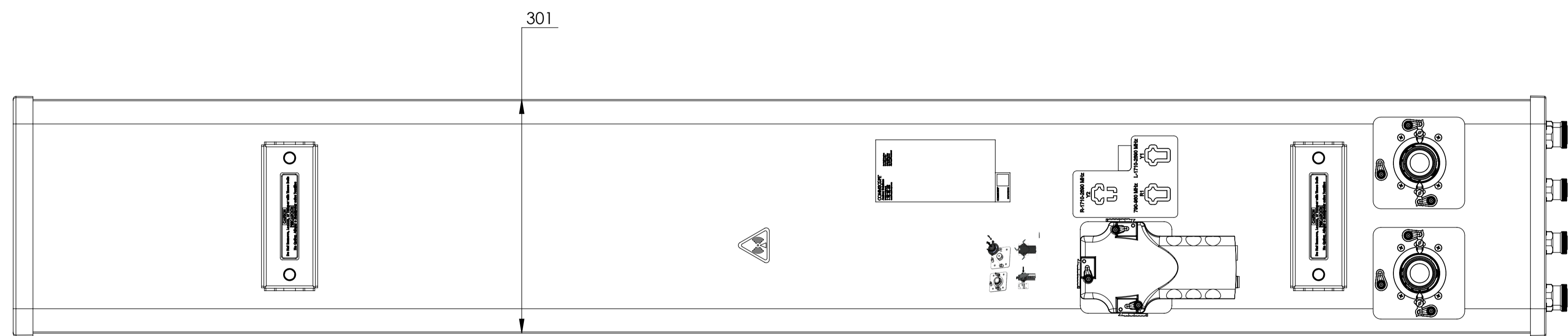
D



4X Ø12 HOLES

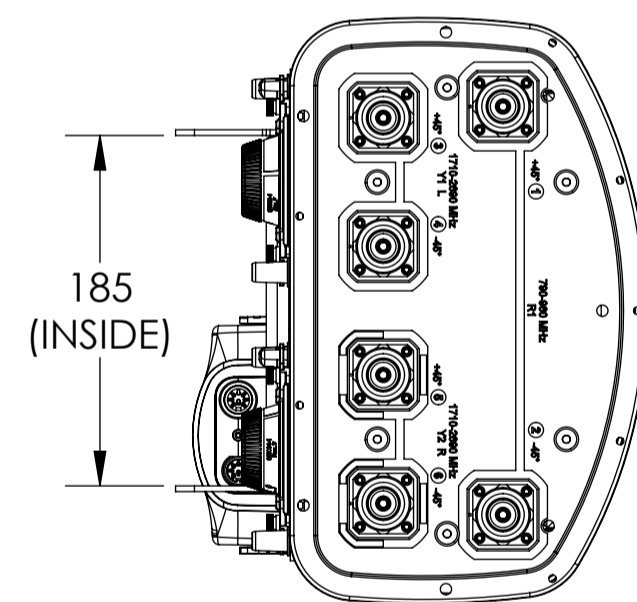
THIRD ANGLE PROJECTION

C



301

CVV65BSX-MM2



185 (INSIDE)

B

A

A

CONFIDENTIAL

© 2024 CommScope, LLC. All rights reserved.

8

7

6

THIRD ANGLE PROJECTION

3

2

1

8

7

6

5

4

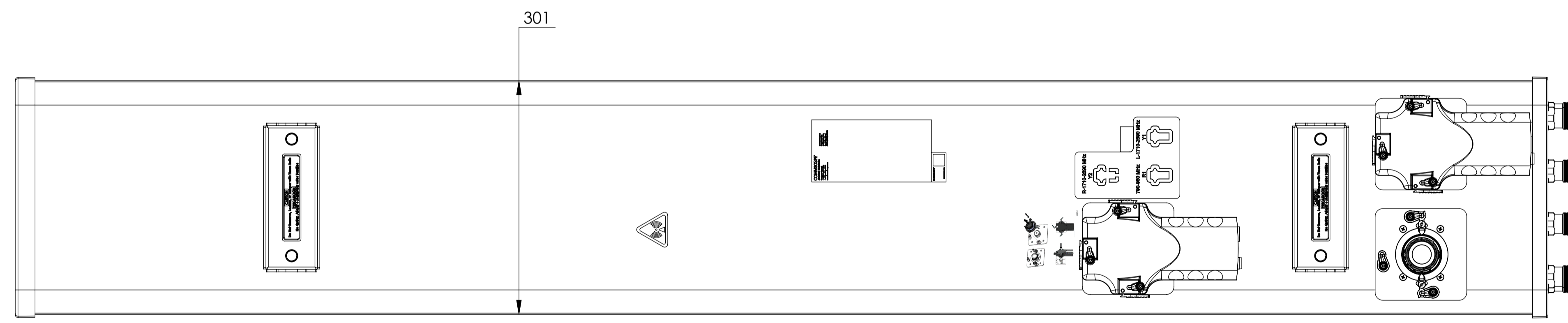
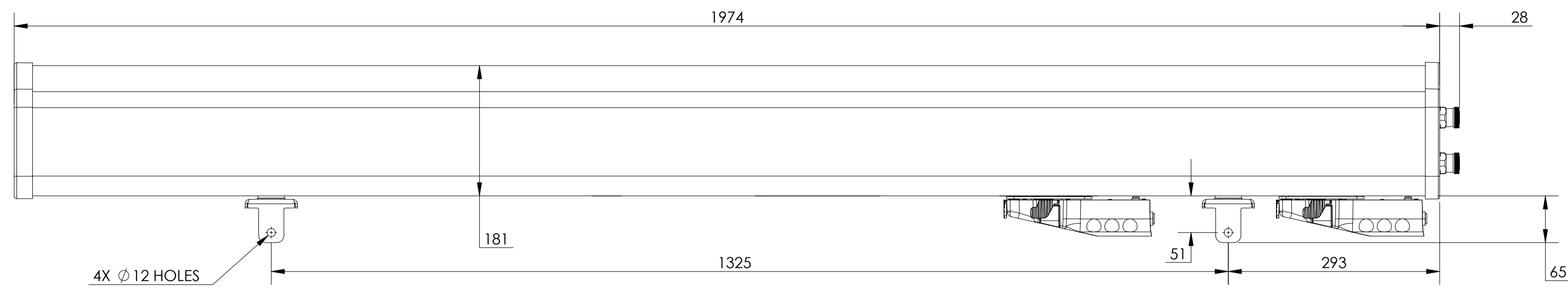
3

2

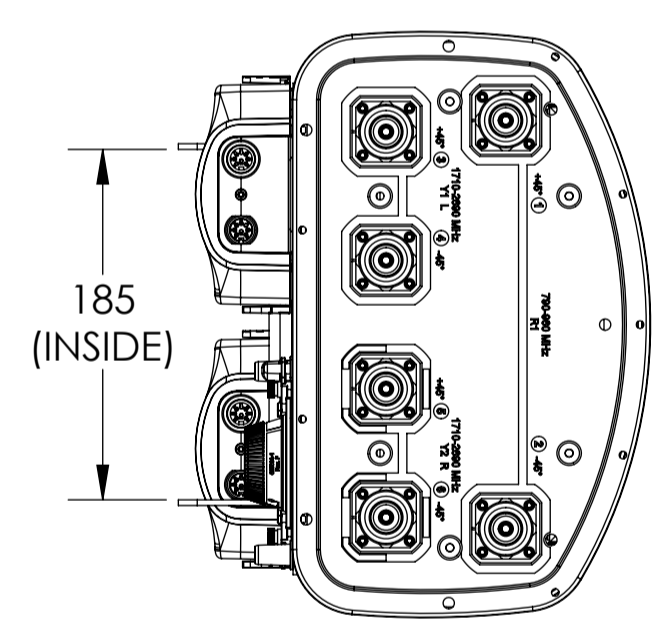
1

D

D



CVV65BSX-M22



C

B

A

THIRD ANGLE PROJECTION

8

7

6

THIRD ANGLE PROJECTION

CONFIDENTIAL

3

© 2024 CommScope, LLC. All rights reserved.

2

1