

8

7

6

5

4

3

2

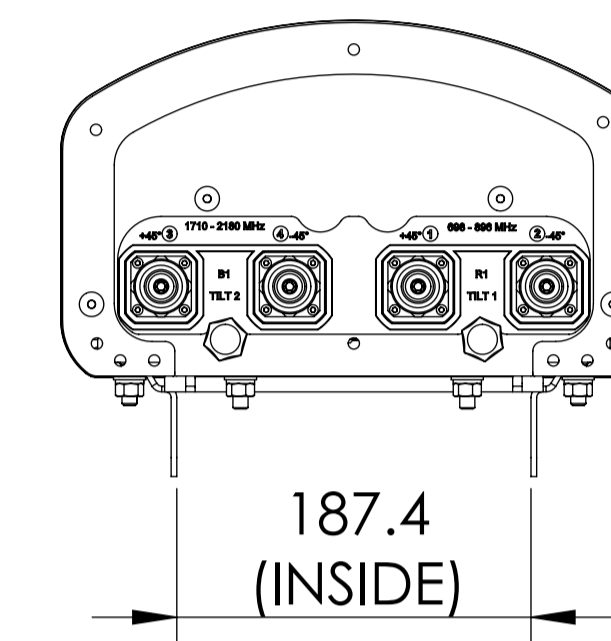
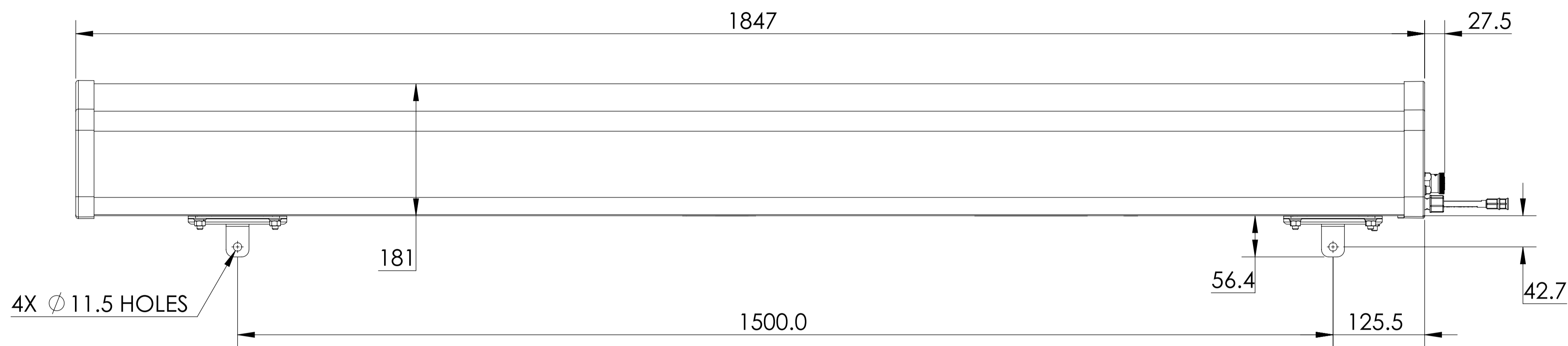
1

NOTES:

REVISION
N

D

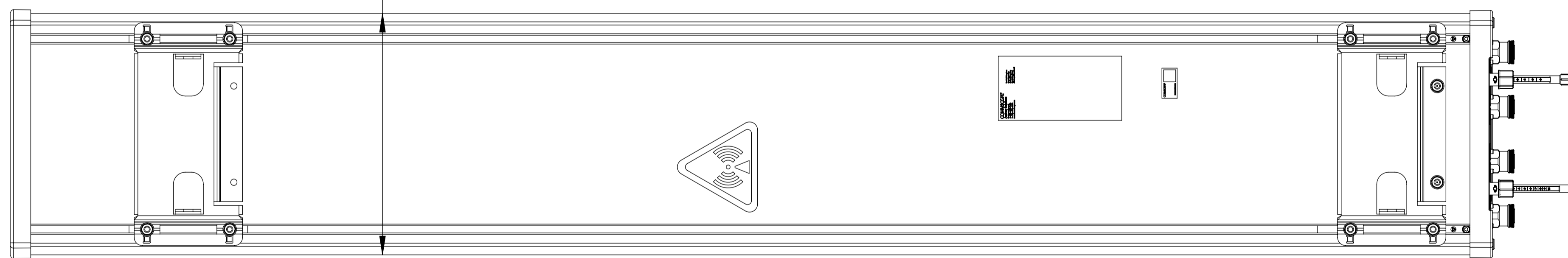
D



C

THIRD ANGLE PROJECTION

301



B

DBXNH-6565B-VTM

A

A

8

7

6

THIRD ANGLE PROJECTION

3

2

1

8

7

6

5

4

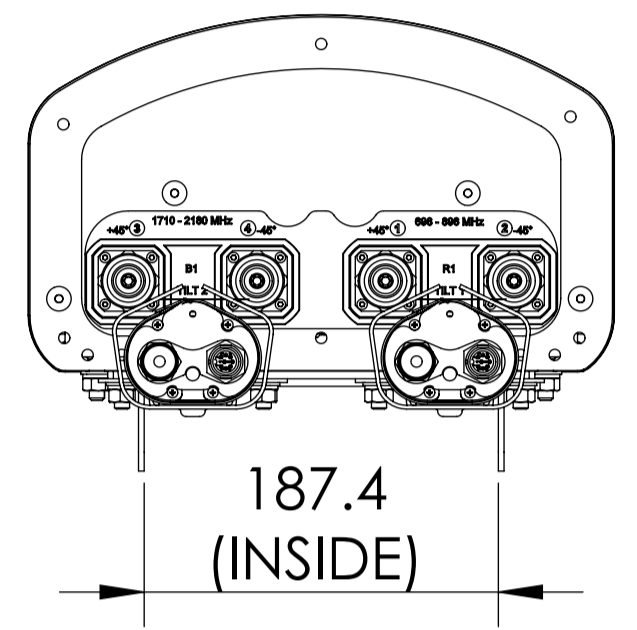
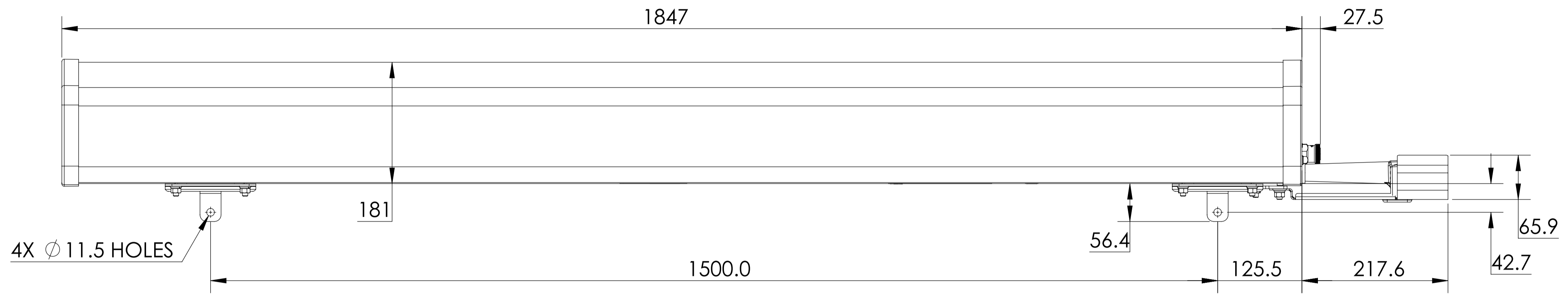
3

2

1

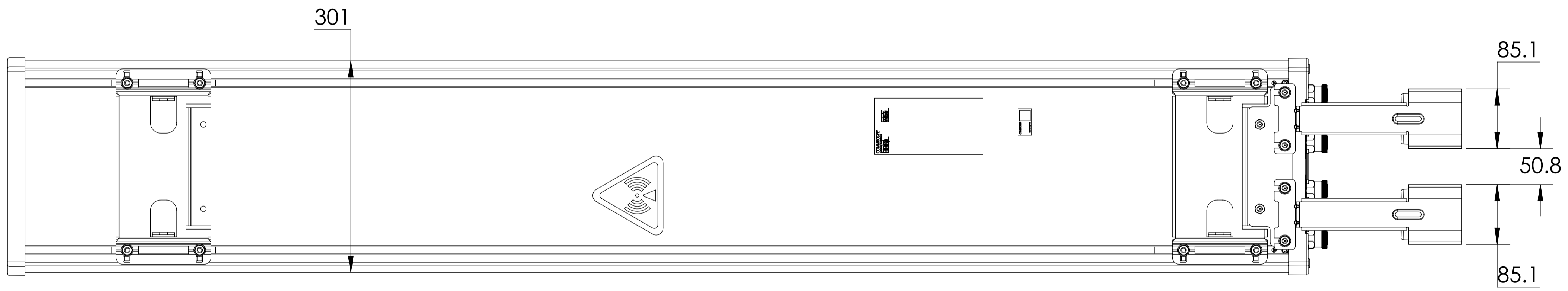
D

D



C

THIRD ANGLE PROJECTION



B

DBXNH-6565B-R2M
DBXNH-6565B-A2M

A

A

8

7

6

THIRD ANGLE PROJECTION

3

2

1