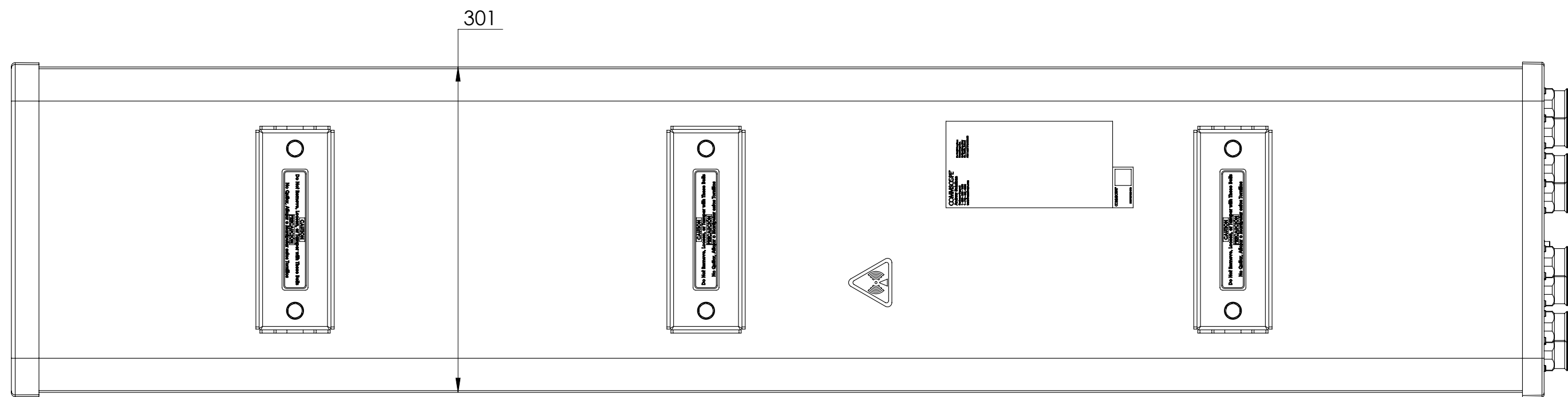
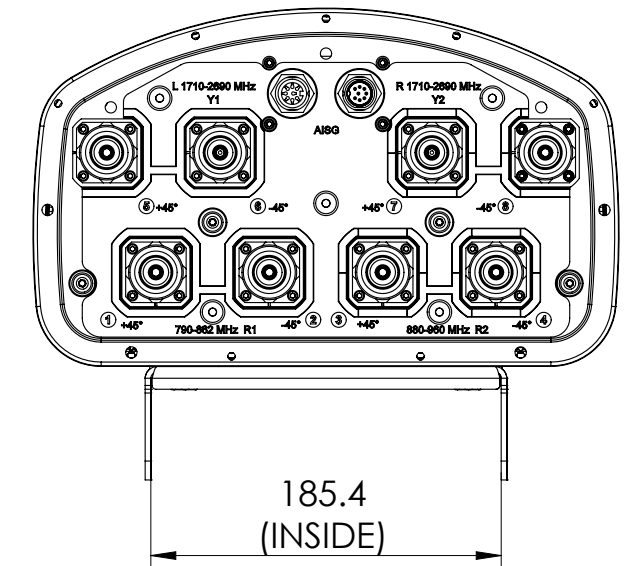
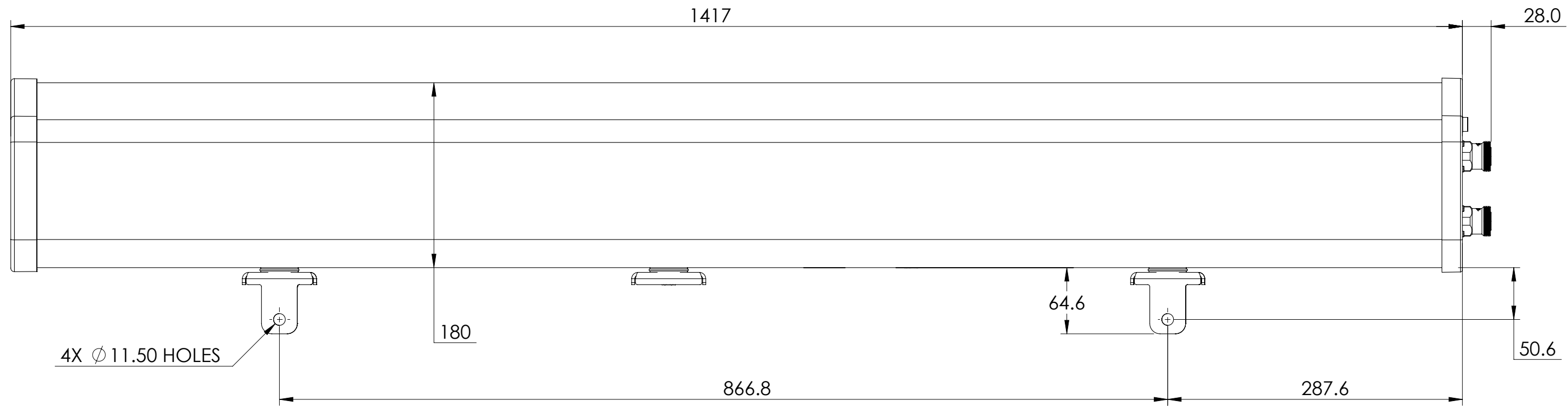


NOTES:

REVISION

B



DGVV65A-FL-4XR