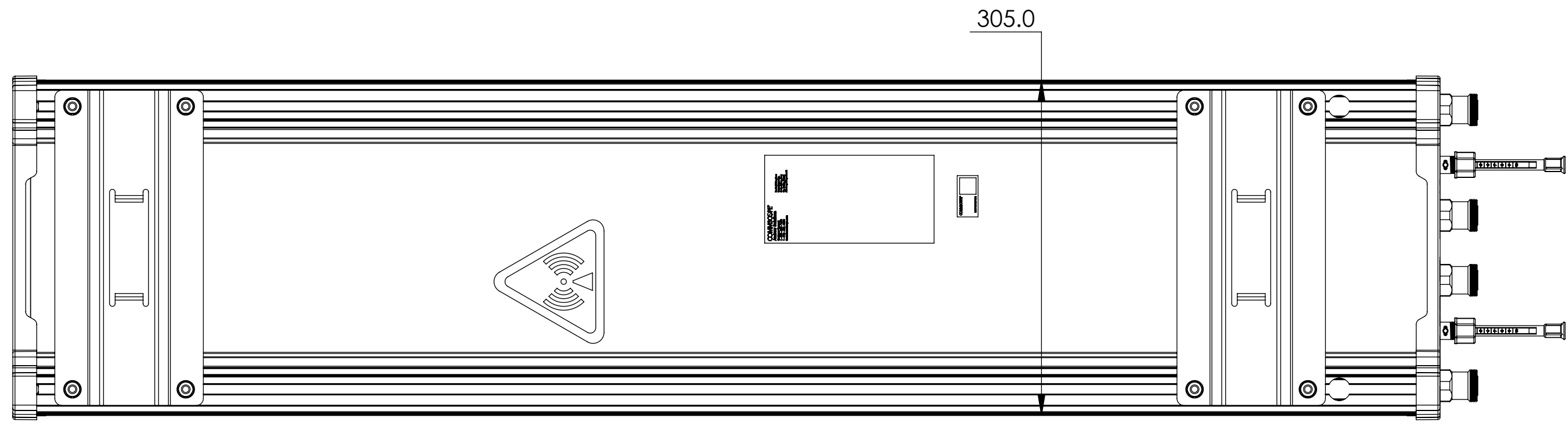
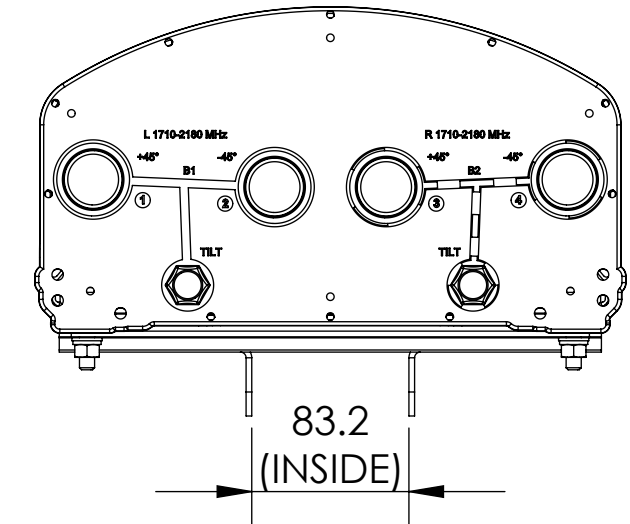
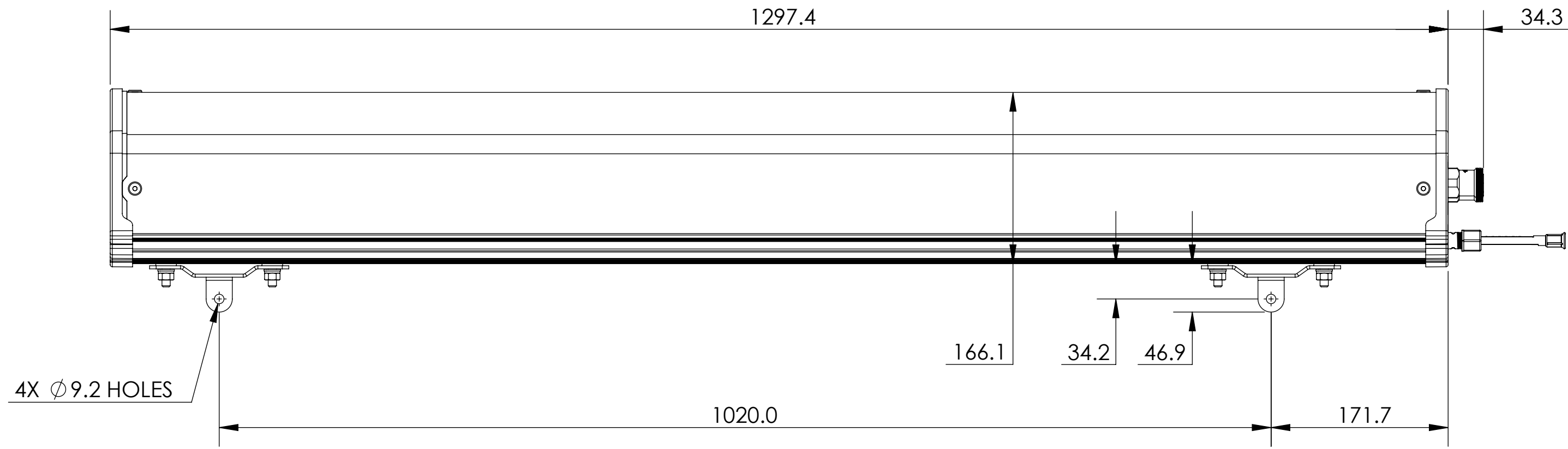


NOTES:

REVISION

G



HBXX-9014DS-VTM

D

D

C

C

B

B

A

A

4

3

2

1

THIRD ANGLE PROJECTION

4

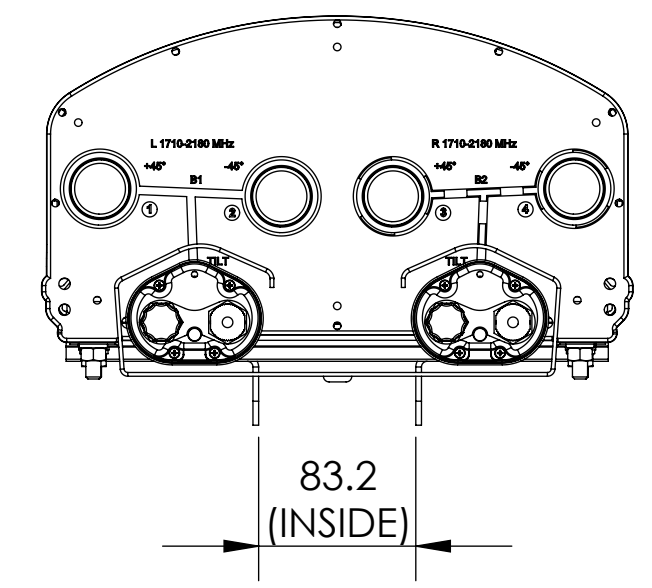
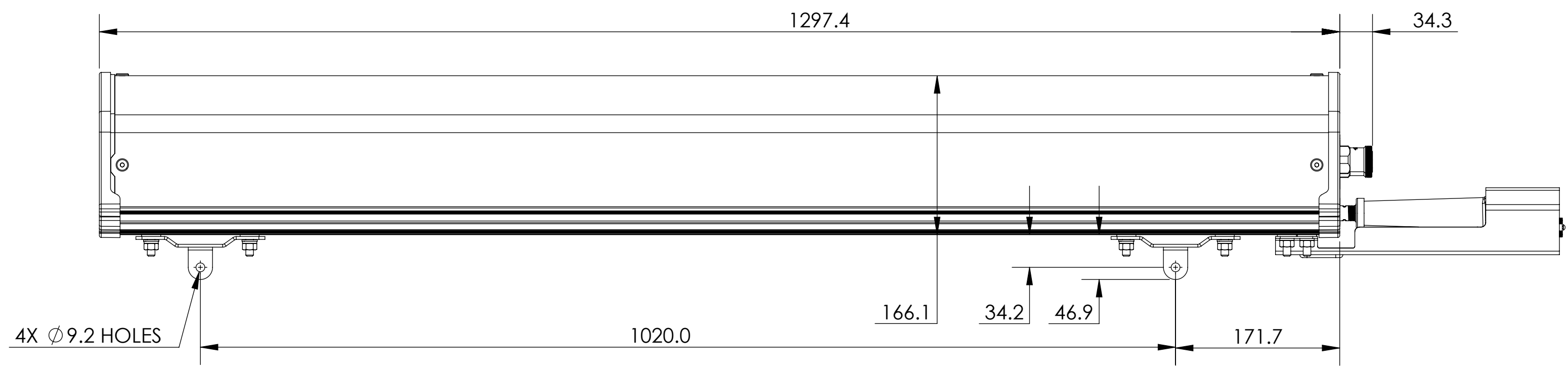
3

2

1

D

D

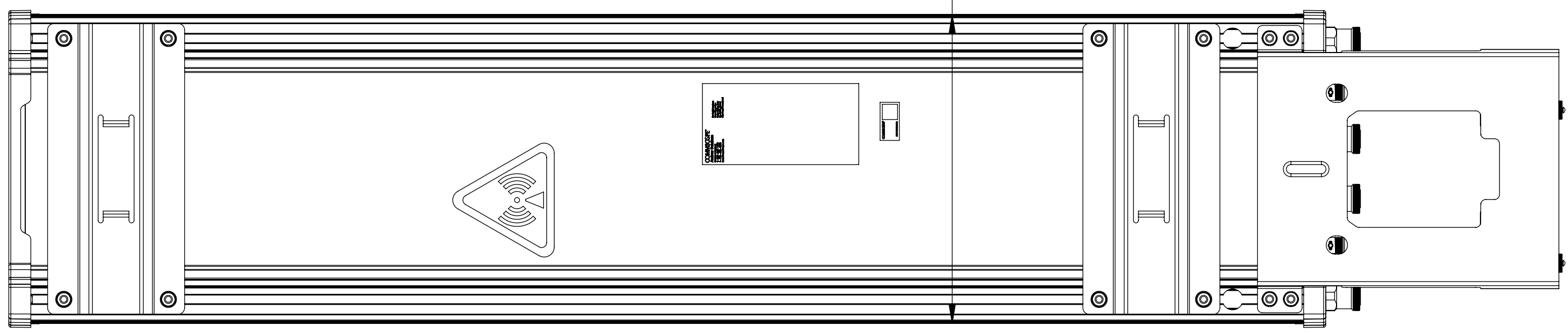


C

C

THIRD ANGLE PROJECTION

305.0



HBXX-9014DS-R2M
 HBXX-9014DS-A2M

B

B

A

A

4

3

2

1

THIRD ANGLE PROJECTION

4

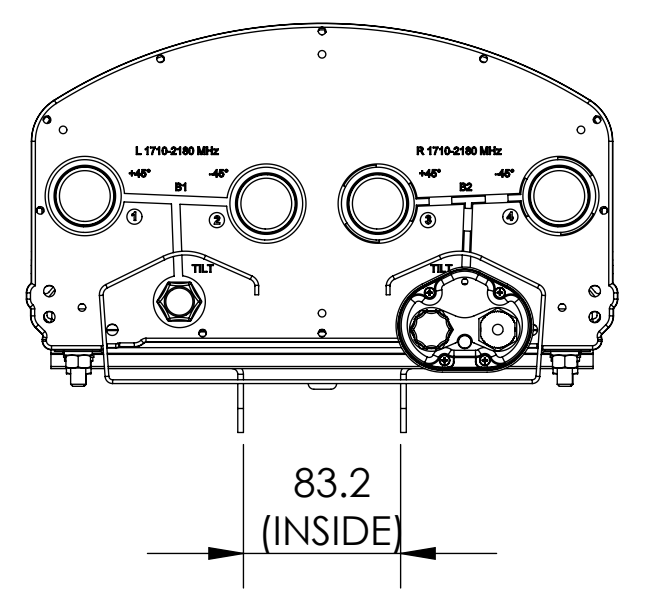
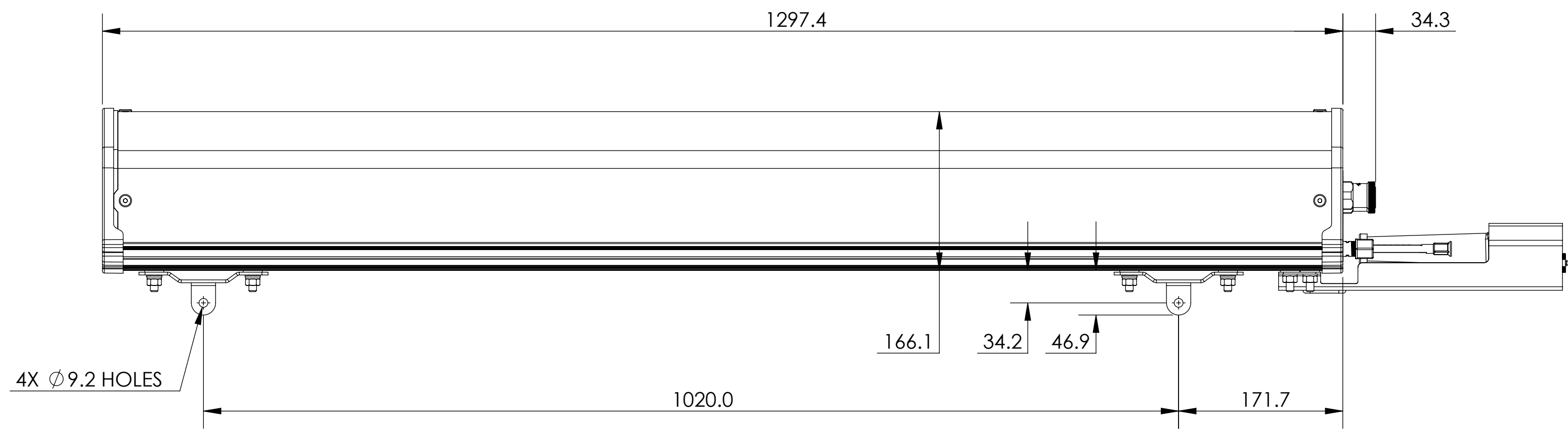
3

2

1

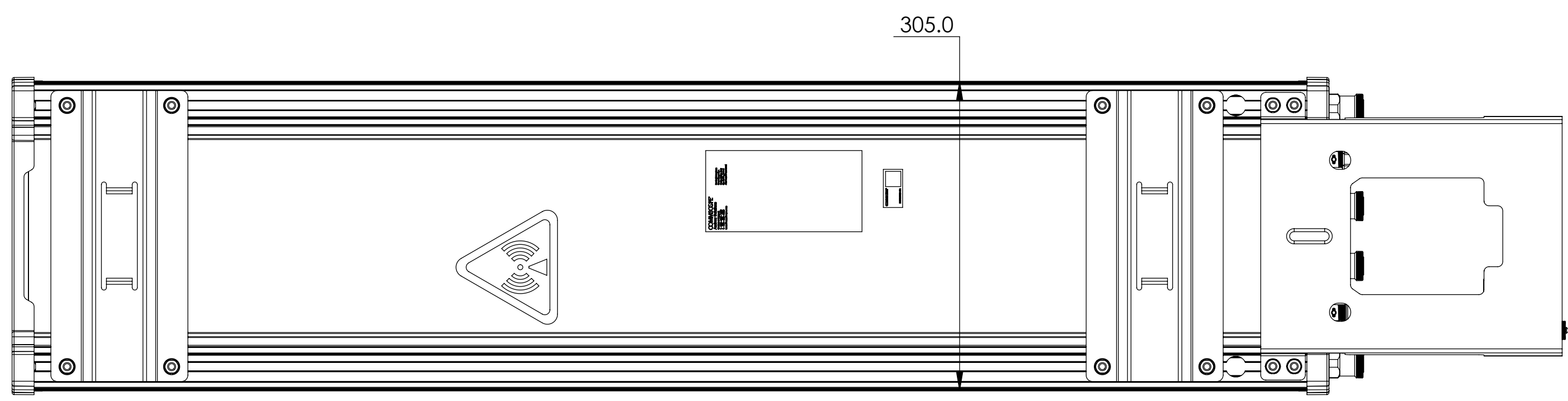
D

D



THIRD ANGLE PROJECTION

THIRD ANGLE PROJECTION



HBXX-9014DS-R1M
 HBXX-9014DS-E1M
 HBXX-9014DS-A1M

A

A

4

3

2

1

THIRD ANGLE PROJECTION