

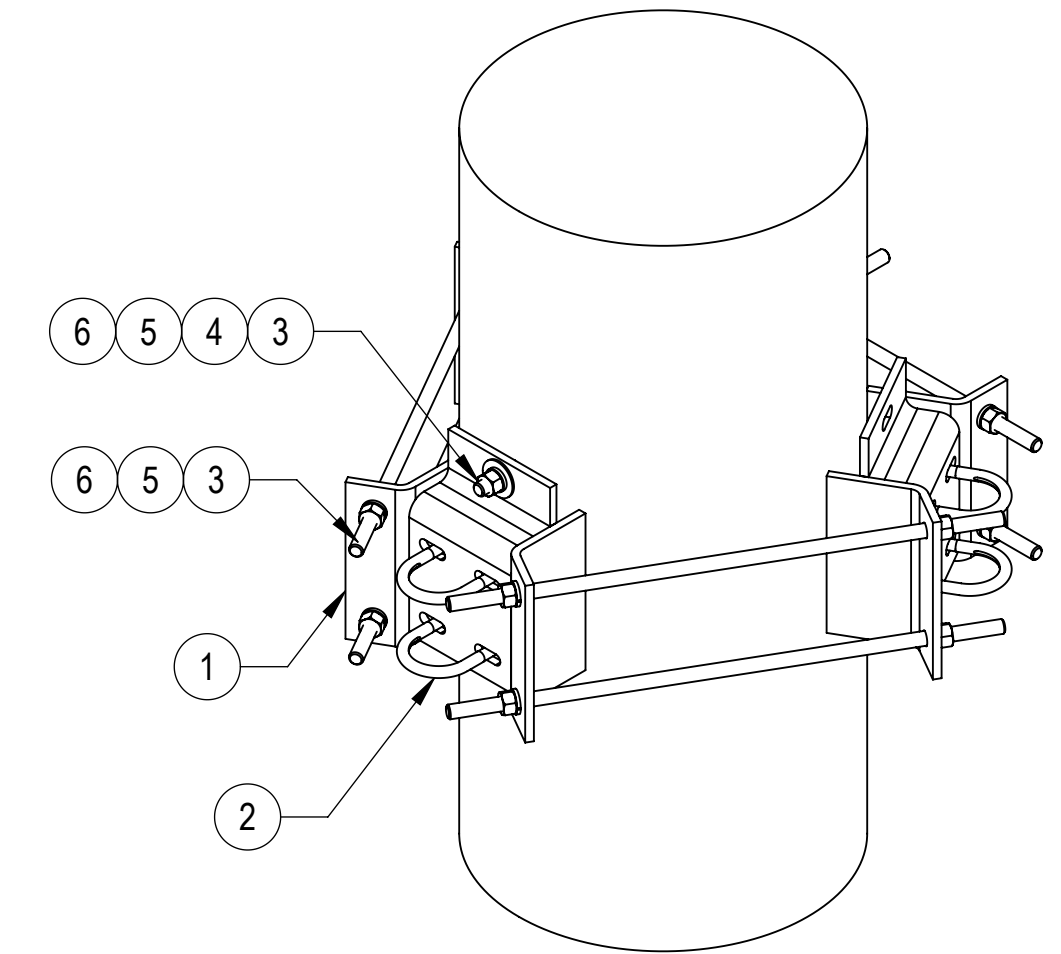
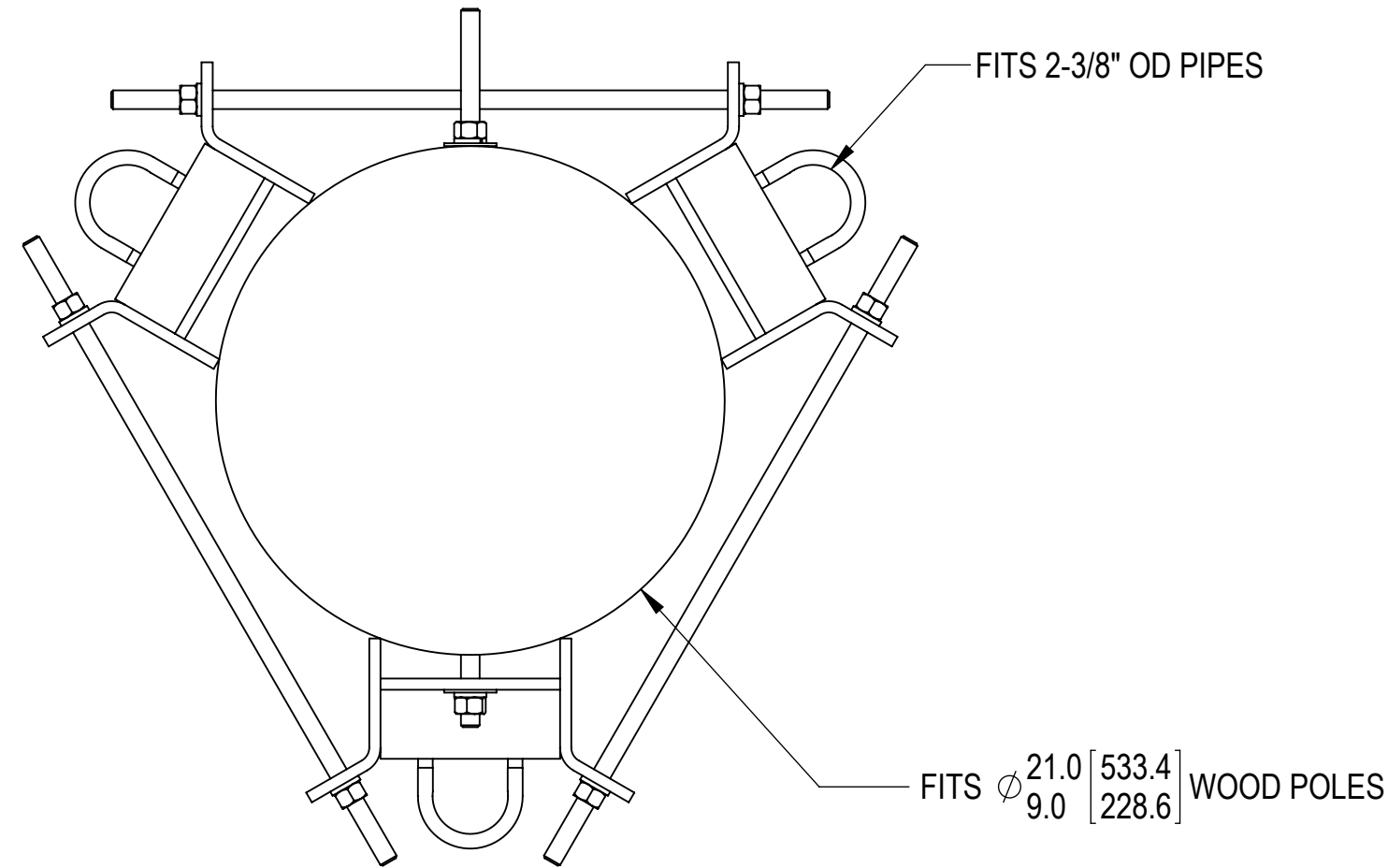
- 1.0 GENERAL NOTES  
 1.1 ALL METRIC DIMENSIONS ARE IN BRACKETS [X.X]  
 1.2 FOR PATENT INFO: <https://www.cs-pat.com>

- 2.0 DESIGN NOTES  
 2.1 ANY HAZARDS OR OBSTRUCTIONS TO THE CLIMBING FACILITY AND SAFETY CLIMB MUST BE IDENTIFIED PRIOR TO INSTALLING THE APPURTENANCE. ADDITIONAL PRODUCTS MAY BE REQUIRED TO MAINTAIN THE INTEGRITY OF THE SAFETY CLIMB. DURING INSTALLATION, TEMPORARY AND/OR PERMANENT PRECAUTIONARY MEASURES SHOULD BE TAKEN TO PRESERVE THE CLIMBING FACILITY AND/OR SAFETY CLIMB.

- 3.0 MANUFACTURING/SPECIAL REQUIREMENTS  
 3.1 TIGHTEN ALL BOLTS SECURING FLAT PLATES BY THE TURN-OF-NUT METHOD. TIGHTEN ALL U-BOLTS USING TURN-OF-NUT METHOD WITH ATTENTION TO LEAVE EQUAL DISTANCE AND EQUAL FORCE ON EACH LEG OF THE U-BOLT.  
 3.2 CUT ONLY 6 THREADED RODS BEFORE ASSEMBLY TO WOOD POLE, CUT THE LAST THREADED ROD AFTER ASSEMBLY THROUGH WOOD POLE IS REQUIRED.

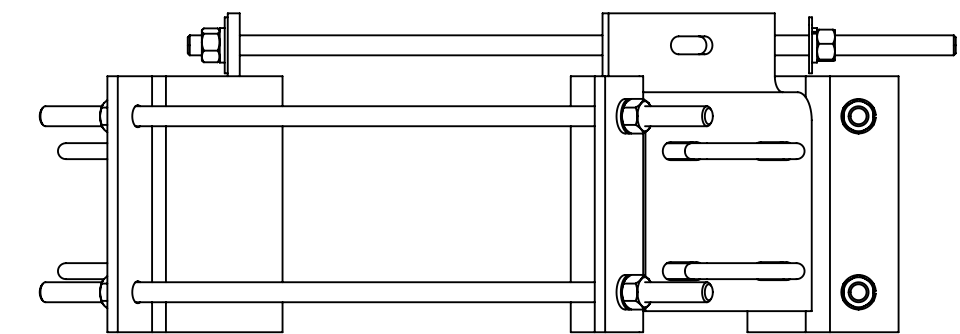
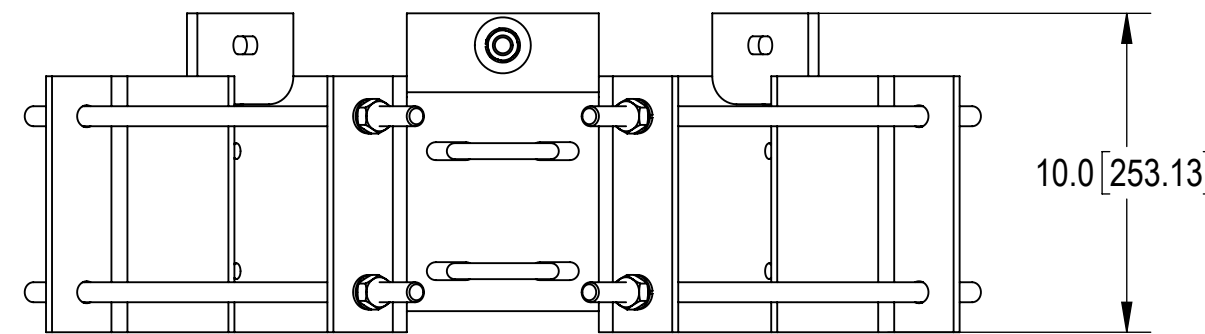
- 4.0 TEST  
 5.0 PACKAGING  
 5.1 PACKAGING SHALL MEET COMMSCOPE REQUIREMENTS PER DOCUMENT IS-PL-3005  
 5.2 PRINTED DOCUMENT TO BE PLACED INSIDE POLYBAG AND THEN IN SHIPPING CONTAINER  
 5.3 EXTRA HARDWARE MAY BE SUPPLIED, BAGGED AND SHIPPED

REVISIONS			
REV.	DESCRIPTION	DATE	APPROVED
A	INITIAL RELEASE	ACG 18SEP06	TP
B	ADDED CUT LENGTH TABLE	ACG 21SEP06	TP
C	UPDATED DRAWING FORMAT	YMENG 17OCT24	BA1025 40206936CMO



WOOD POLE DIAMETER	THREADED ROD CUT TO LENGTH
9 [228.6]	12 [304.8]
10 [254.0]	13 [330.2]
11 [279.4]	14 [355.6]
12 [304.8]	15 [381.0]
13 [330.2]	16 [406.4]
14 [355.6]	17 [431.8]
15 [381.0]	18 [457.2]
16 [406.4]	19 [482.6]
17 [431.8]	20 [508.0]
18 [457.2]	21 [533.4]
19 [482.6]	22 [558.8]
20 [508.0]	23 [584.2]
21 [533.4]	NO CUT

DIAMETER = CIRCUMFERENCE X .31831



COMPONENT PART NUMBERS PROVIDED FOR ASSEMBLY PURPOSES;  
 INDIVIDUAL COMPONENTS MAY BE SHIPPED AS PARTS WITHIN AN INCLUDED KIT.

ITEM	PART NO.	DESCRIPTION	QTY.	WEIGHT	NOTE NO.
1	MTC931301	WOODPOLE RINGMOUNT SECTION	3	17.43 LBS	
2	GUB-4240	1/2" X 2-1/2" X 4" GALV U-BOLT	6	0.56 LBS	
3	MT-382-24	5/8" X 24" GALV THREADED ROD	7	2.07 LBS	3.2
4	GW-05	5/8" GALV FLAT WASHER, 1.7OD	2	0.06 LBS	
5	GW-05	5/8" GALV LOCK WASHER	14	0.03 LBS	
6	GN-05	5/8" GALV HEX NUT	14	0.08 LBS	

DENSITY		lbs/in <sup>3</sup>
MASS	71.79	lbs
VOLUME	254.67	in <sup>3</sup>
SURFACE AREA	6397.31	in <sup>2</sup>
HEIGHT		
LENGTH		
WIDTH		

© 2024 CommScope, Inc. Confidential

COMMSCOPE, INC. OF NORTH CAROLINA													
TOLERANCES						SAP MATERIAL MASTER							
1 PLACE .X[X] ± 0.2[6.3]			3 PLACE .XXX[X] ± 0.060[1.5]			MTC9313							
2 PLACE .XX[X] ± 0.12[3.0]			ANGLES ± 2°										
FINISH						MATERIAL							
UNLESS OTHERWISE SPECIFIED DIMENSIONS ARE IN INCHES INTERPRET PER ANSI Y 14.5M-1994						NAME		DATE		TITLE			
						CE ACG		18SEP06		WOODPOLE RINGMOUNT			
						RW YMENG		10/22/2024					
						AD YW1045		10/22/2024		SCALE		DOCUMENT NO.	
						RE YMENG		10/22/2024		1:16		MTC9313	
ECN 40206936CMO													
SIZE		Auth Group		INSL		MODEL		DRAWING					
C		⊕		◁		VERSION		STATUS		REVISION		SHEET	
						01		RE		C		1 OF 1	
						01		RE		C			