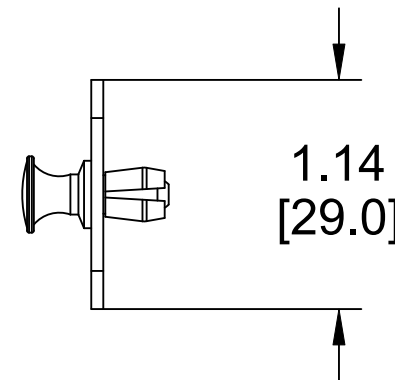
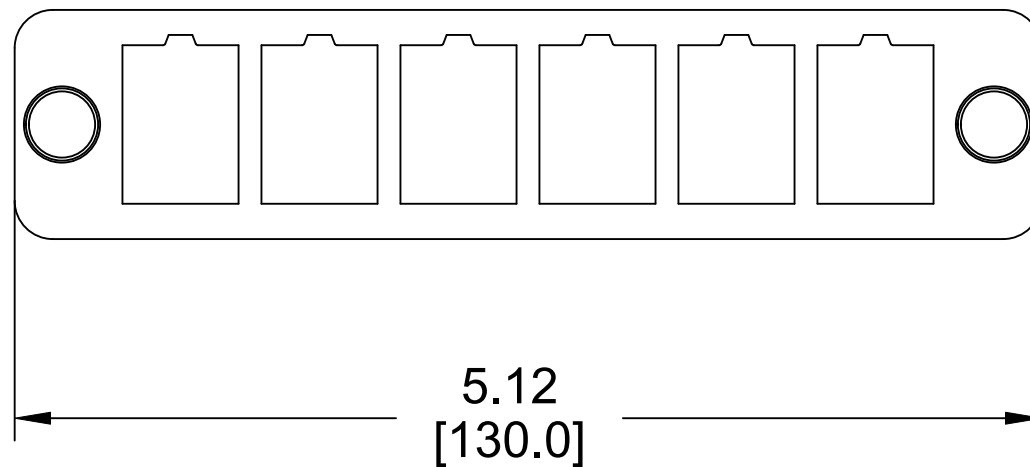
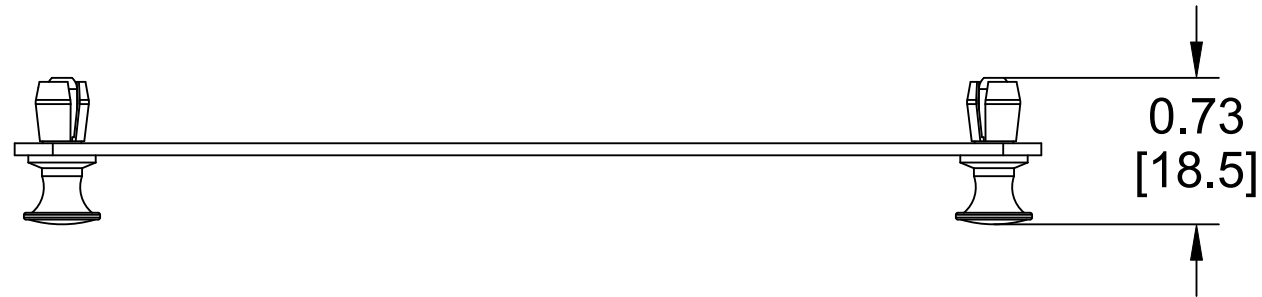


MATERIAL ID	DESCRIPTION
760258257	1000 STYLE PLATE, EMPTY, SL/SLX

NOTES:

1. SEE COMMSCOPE CATALOG FOR PART NUMBER SUFFIXES TO INDICATE COLOR/PKG.
2. SEE COMMSCOPE CATALOG FOR COMPLETE LIST OF PARTS RELATED TO THE USE OF THIS PRODUCT.
3. DIMENSIONS ARE IN INCHES[MM].
4. PART INCLUDES:  
 (1) ADAPTER PANEL FOR SL/SLX  
 (2) PLUNGER,NYLATCH  
 (2) GROMMET,NYLATCH



1000 STYLE PLATE, EMPTY, SL/SLX

**COMMSCOPE, INC** OF NORTH CAROLINA

1	05-AUG-24		INITIAL ISSUE	PL	DRAWN BY TZ	
REV	DATE	ECR	DESCRIPTION	APPROVED BY	DATE 05-AUG-2024	DWG NO 760258257