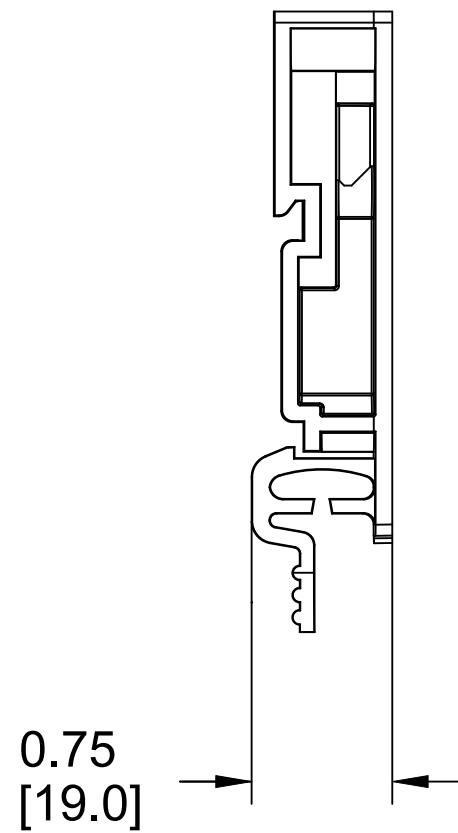
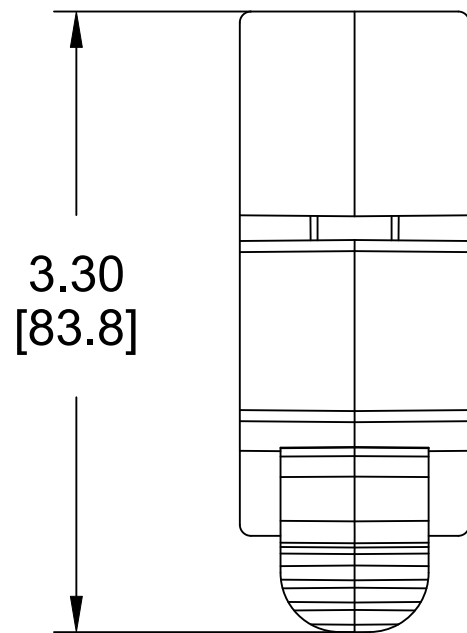
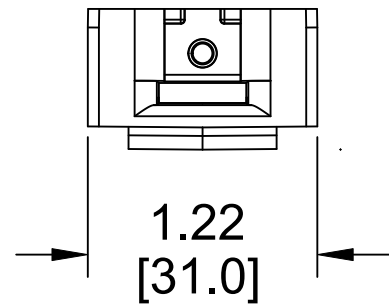


MATERIAL ID	DESCRIPTION
760258275	DIN RAIL ADAPTER, UTP, SMB-1P



NOTES:

1. SEE COMMSCOPE CATALOG FOR PART NUMBER SUFFIXES TO INDICATE COLOR/PKG.
2. SEE COMMSCOPE CATALOG FOR COMPLETE LIST OF PARTS RELATED TO THE USE OF THIS PRODUCT.
3. DIMENSIONS ARE IN INCHES[MM].
4. PART INCLUDES:  
 (1) DIN RAIL ADAPTER FOR SMB-1P.  
 (2) SCR,PH,PLASTITE,6-19,3/8,SST

DIN RAIL ADAPTER, UTP, SMB-1P

**COMMSCOPE, INC** OF NORTH CAROLINA

1	05-AUG-24		INITIAL ISSUE	PL	DRAWN BY TZ	
REV	DATE	ECR	DESCRIPTION	APPROVED BY	DATE 05-AUG-2024	DWG NO 760258275