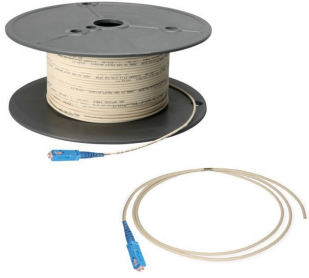


# MDC-ON1H



## RealFlex® 3 Fiber Optic Drop Cable Assembly, Stub to SC/UPC , RBR Riser, Ivory, Build America Buy America (BABA)

- \*Product complies with the Build America, Buy America Act (BABAA) requirements of the Infrastructure Investment and Jobs Act of 2021 (Pub. L. 117- 58, §§ 70901-70953), or is the subject of a waiver approved by the Secretary of Commerce or designee. Compliance requirements and waiver applicability vary based on government funding program. Check the laws and regulations for your specific program.

## Product Classification

<b>Regional Availability</b>	Latin America   North America
<b>Portfolio</b>	CommScope®
<b>Product Type</b>	Fiber drop cable assembly
<b>Product Brand</b>	RealFlex®
<b>Product Series</b>	MDC
<b>Government Requirements</b>	Build America Buy America (BABA) compliant*
<b>Ordering Note</b>	For custom cable assembly lengths, please contact your local CommScope representative

## General Specifications

<b>Cable Type</b>	Stapleable - Round
<b>Connector A, quantity</b>	1
<b>Color, boot A</b>	Blue
<b>Color, connector A</b>	Blue
<b>Interface, Connector A</b>	Unterminated
<b>Interface Feature, connector A</b>	Male
<b>Interface, Connector B</b>	SC/UPC
<b>Jacket Color</b>	Ivory
<b>Location of Manufacturing</b>	Catawba, North Carolina
<b>Total Fibers, quantity</b>	1
<b>Transmission Standards</b>	TIA/EIA-568-B.3

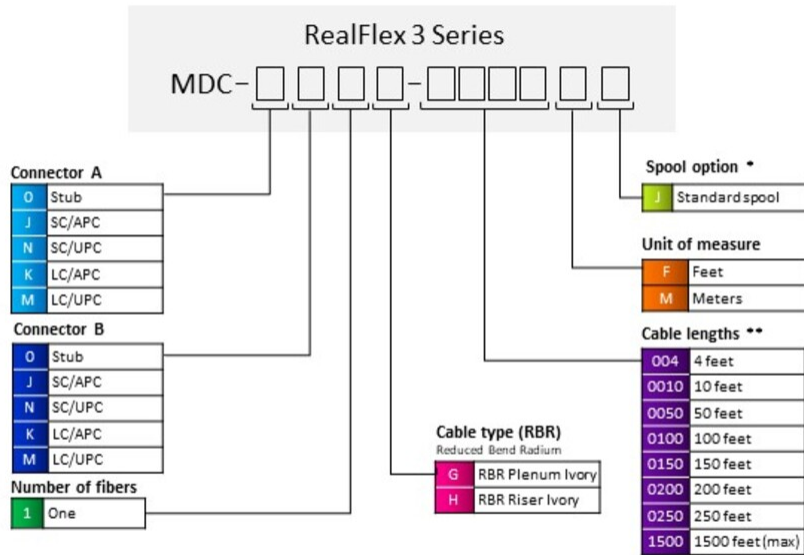
## Dimensions

<b>Cable Assembly Length Range (ft)</b>	1 – 1500
---	----------

# MDC-ON1H

**Cable Outer Diameter** 2.9 mm (0.11 in)

## Ordering Tree



\*Drops are automatically coiled 0-350 ft. Lengths 351+ are automatically spooled. Connector A deploys first. Add option J if spool is required for lengths 350ft or less.  
\*\*Cable length shown as an example; additional cable lengths available upon request up to 1500 ft

## Mechanical Specifications

<b>Minimum Bend Radius, loaded</b>	50 mm   1.969 in
<b>Minimum Bend Radius, unloaded</b>	30 mm   1.181 in
<b>Tensile Load, long term, maximum</b>	30 N   6.744 lbf
<b>Tensile Load, short term, maximum</b>	100 N   22.481 lbf

## Optical Specifications

<b>Fiber Mode</b>	Singlemode
<b>Fiber Type</b>	G.657.A2/B2
<b>Insertion Loss, maximum, connector A</b>	0.2 dB
<b>Return Loss, minimum, connector A</b>	60 dB

## Environmental Specifications

# MDC-ON1H

---

<b>Installation temperature</b>	-20 °C to +60 °C (-4 °F to +140 °F)
<b>Operating Temperature</b>	-40 °C to +70 °C (-40 °F to +158 °F)
<b>Storage Temperature</b>	-40 °C to +75 °C (-40 °F to +167 °F)
<b>Environmental Space</b>	Riser
<b>Jacket UV Resistance</b>	UV stabilized
<b>Qualification Standards</b>	Telcordia GR-449-CORE

## Packaging and Weights

<b>Packaging quantity</b>	1
---------------------------	---