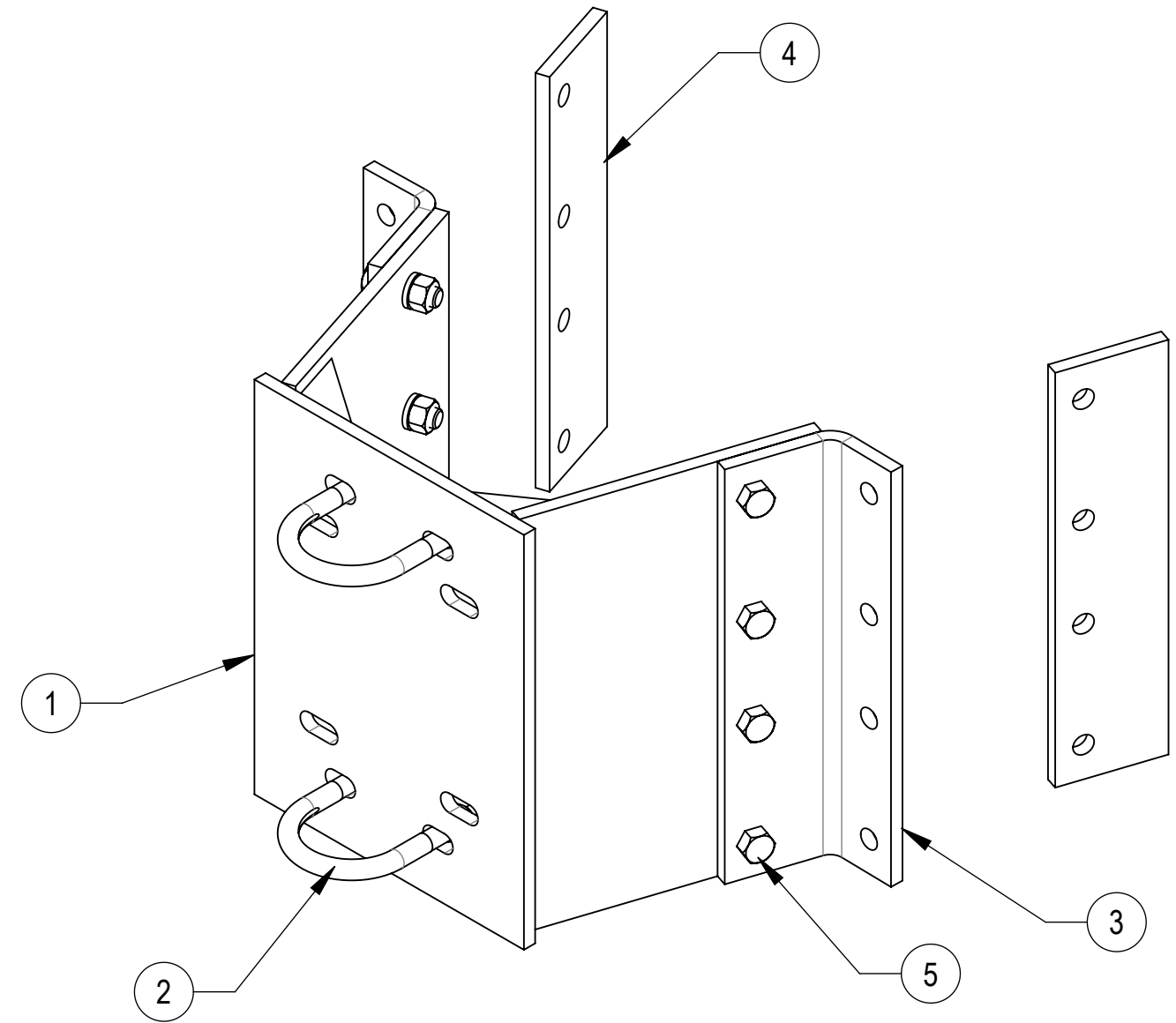
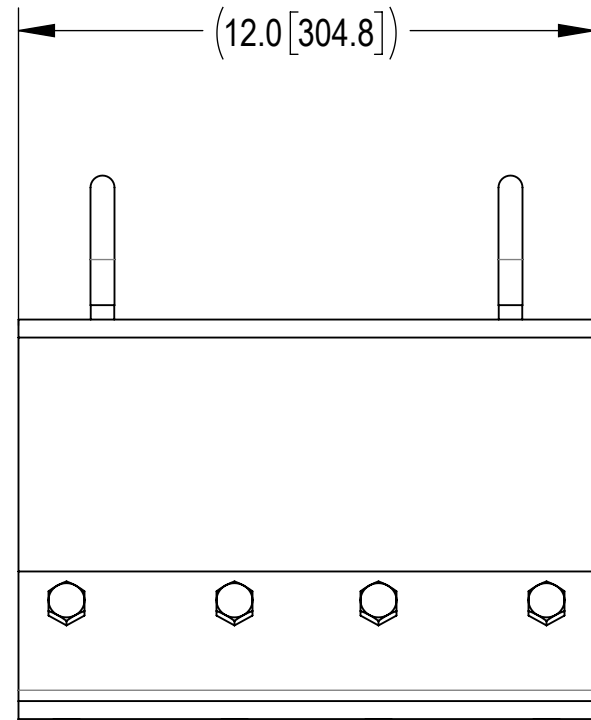
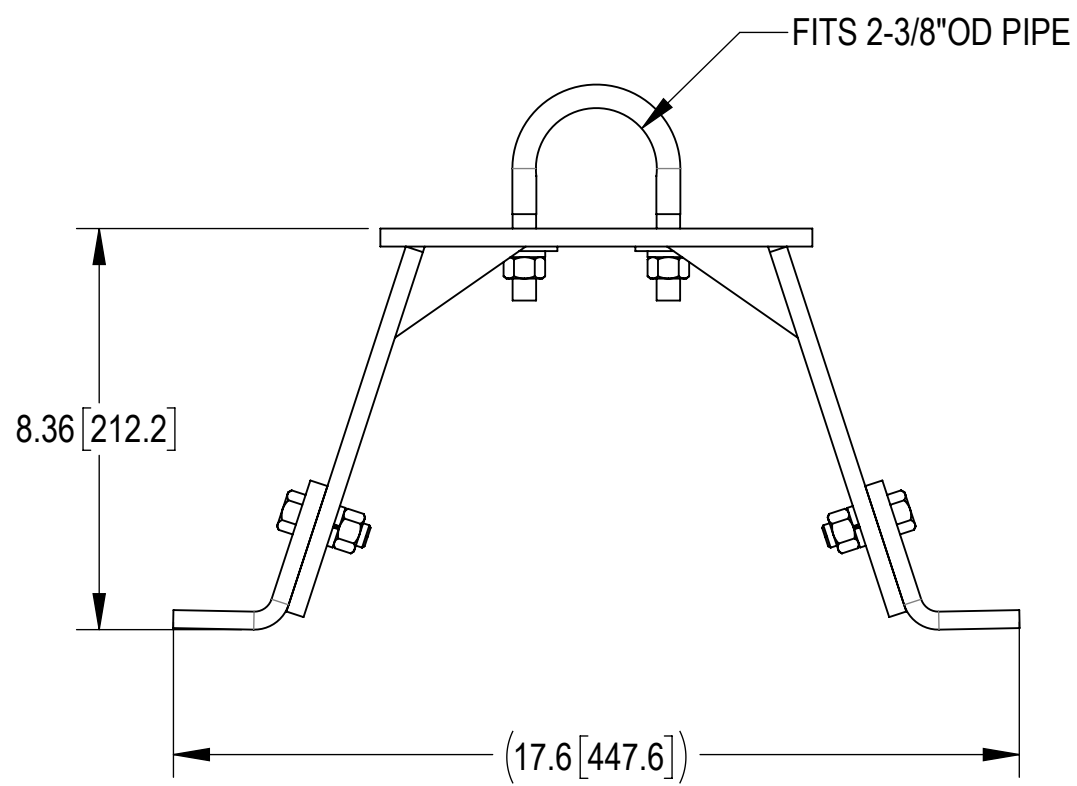


- 1.0 GENERAL NOTES
 1.1 ALL METRIC DIMENSIONS ARE IN BRACKETS [X.X]
 1.2 FOR PATENT INFO: <https://www.cs-pat.com>
- 2.0 DESIGN NOTES
 2.1 ANY HAZARDS OR OBSTRUCTIONS TO THE CLIMBING FACILITY AND SAFETY CLIMB MUST BE IDENTIFIED PRIOR TO INSTALLING THE APPURTENANCE. ADDITIONAL PRODUCTS MAY BE REQUIRED TO MAINTAIN THE INTEGRITY OF THE SAFETY CLIMB. DURING INSTALLATION, TEMPORARY AND/OR PERMANENT PRECAUTIONARY MEASURES SHOULD BE TAKEN TO PRESERVE THE CLIMBING FACILITY AND/OR SAFETY CLIMB.
- 3.0 MANUFACTURING/SPECIAL REQUIREMENTS
 3.1 TIGHTEN ALL BOLTS SECURING FLAT PLATES BY THE TURN-OF-NUT METHOD. TIGHTEN ALL U-BOLTS USING TURN-OF-NUT METHOD WITH ATTENTION TO LEAVE EQUAL DISTANCE AND EQUAL FORCE ON EACH LEG OF THE U-BOLT.
- 4.0 TEST
- 5.0 PACKAGING
 5.1 PACKAGING SHALL MEET COMMSCOPE REQUIREMENTS PER DOCUMENT IS-PL-3005
 5.2 PRINTED DOCUMENT TO BE PLACED INSIDE POLYBAG AND THEN IN SHIPPING CONTAINER
 5.3 EXTRA HARDWARE MAY BE SUPPLIED, BAGGED AND SHIPPED

REVISIONS			
REV.	DESCRIPTION	DATE	APPROVED
D	WT-MSM2-B WAS SEPARATED FROM WT-MSM-B SERIES	LL1090 17JAN25	CB1094 40212518CMO



COMPONENT PART NUMBERS PROVIDED FOR ASSEMBLY PURPOSES;
 INDIVIDUAL COMPONENTS MAY BE SHIPPED AS PARTS WITHIN AN INCLUDED KIT.

ITEM	PART NO.	DESCRIPTION	QTY.	WEIGHT	NOTE NO.
1	WTMSM01	WELDMENT - WATER TOWER MIDSPAN MOUNT	1	31.86 LBS	
2	GUB-4240	1/2" X 2-1/2" X 4" GALV U-BOLT	2	0.56 LBS	
3	WTMSM05	BOLT ON ANGLE ADAPTOR	2	6.13 LBS	
4	WTMSM06	BOLT END ADAPTOR	2	3.70 LBS	
5	GB-04145	1/2" X 1-1/2" GALV BOLT KIT	8	0.13 LBS	

DENSITY		lbs/in ³
MASS	54.51	lbs
VOLUME	193.42	in ³
SURFACE AREA	1232.66	in ²
HEIGHT	12.0"	
LENGTH	17.6"	
WIDTH	11.4"	

COMMSCOPE, INC. OF NORTH CAROLINA

TOLERANCES		SAP MATERIAL MASTER	
1 PLACE .X[X] ± 0.12[3.0]	3 PLACE .XXX[X] ± 0.03[0.8]	WT-MSM2-B	
2 PLACE .XX[X] ± 0.06[1.5]	ANGLES ± 2°		
FINISH		MATERIAL	
MID-SPAN MOUNT FOR 2-3/8" (60.3MM)			
SCALE 1:4		DOCUMENT NO. WT-MSM2-B	
SIZE		MODEL	
Auth Group	INSL	VERSION	STATUS
01	RE	D	00
DRAWING		SHEET	
VERSION	STATUS	REVISION	REVISION
01	RE	D	D