

Ribbon Distributor Tray

1.0 General Product Information

Important: Read and follow all safety precautions and warnings documented in the FOSC 400 D5 closure installation instructions.

The FOSC ACC D ribbon router kit supplies one ribbon router tray for installation inside a FOSC ACC D basket or D basket-tall. The router distributes ribbons to splice organizer trays installed on top of the D basket.

Both mass-fusion and single-fusion splices of ribbon cable can be stored in the standard "D" size splice organizer trays (with SM6 splice modules).

2.0 Kit Components

The FOSC ACC D ribbon router kit is composed of:

- Ribbon distributor insert
- Ribbon transportation tubes
- Tie wraps
- Installation instructions

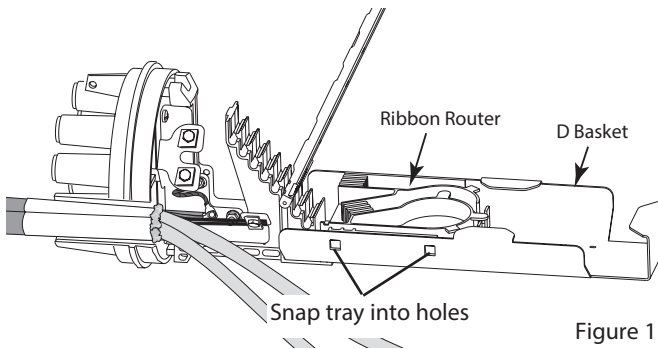


Figure 1

3.0 Installation Instructions

1. Raise or remove the upper splice organizer trays to expose the D basket. If you have not previously installed the basket, refer to the installation instructions in the FOSC ACC D basket or basket-tall kit. (Figure 1)
2. Install the ribbon router by snapping the tabs into the four holes in the D basket.
3. Prepare and install cables in closure as directed in the FOSC 400 D5 closure installation instructions.

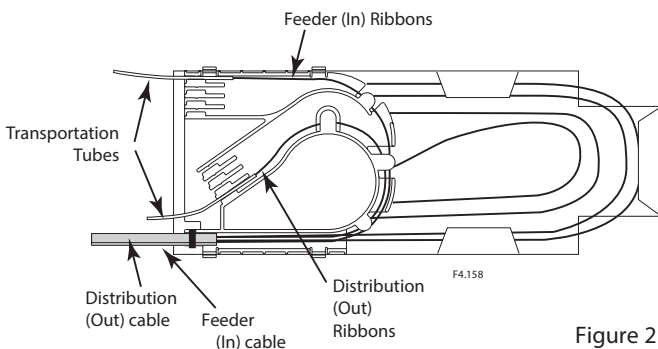


Figure 2

4. Attach both central core tube ends to the ribbon router with one large tie wrap. (Figure 2) The distribution or "out" cable should be on top.
5. Mark the mid-point of the ribbons. Cut the ribbons to be spliced at the mid-point mark.
6. Route the ribbons to be spliced through the ribbon router as shown in Figure 2.

- Place up to six ribbons into a single transportation tube. Insert the transportation tube into one of the distribution slots on the ribbon router as shown. (Figure 2) Up to three transportation tubes can be stacked in each slot. Fill the slots in the order indicated. (Figures 3 and 4)

Note: Avoid crossing ribbons when storing the transportation tubes in the ribbon router slots.

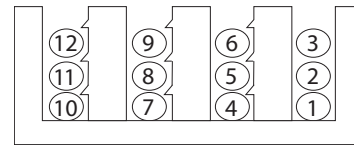


Figure 3: Distribution Tube Arrangement

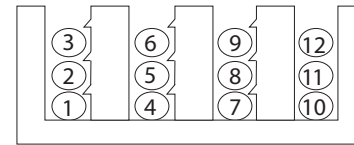


Figure 4: Feeder Tube Arrangement

- Create intertray jumpers as directed in the FOSC 400 D5 closure installation instructions to route the ribbons from the ribbon router to the upper splice organizer trays for splicing. (Figure 5)

Note: Pull slack ribbon through tubes back into the basket for storage after splicing.

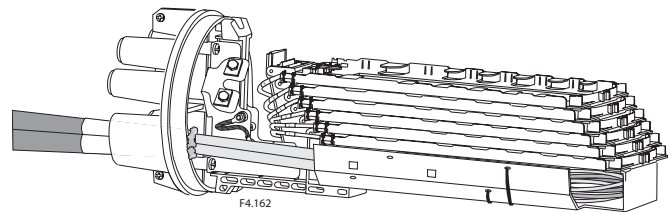


Figure 5

- Store the slack ribbon and uncut ribbon loops in the FOSC ACC D basket as shown in Figure 6. Secure in place with tie wraps.

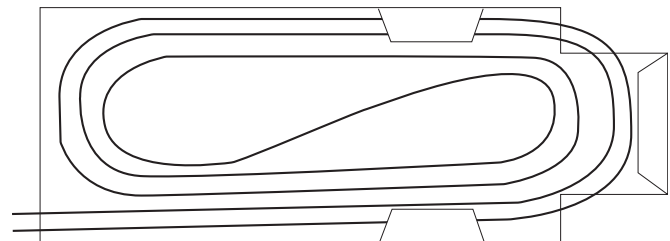


Figure 6

Technical Assistance Center (TAC)
 Tel.: 800.830.5056
 Email: TAC.Americas@commscope.com
 www.commscope.com

FOSC 400, CommScope logo and CommScope are trademarks.

The information given herein, including drawings, illustrations and schematics which are intended for illustration purposes only, is believed to be reliable. However, CommScope makes no warranties as to its accuracy or completeness and disclaims any liability in connection with its use. CommScope's obligations shall only be as set forth in CommScope's Standard Terms and Conditions of Sale for this product and in no case will CommScope be liable for any incidental, indirect or consequential damages arising out of the sale, resale, use or misuse of the product. Users of CommScope products should make their own evaluation to determine the suitability of each such product for the specific application.

©1996, 2008, 2016 CommScope Inc. All Rights Reserved PML YT4389 F272.04/08