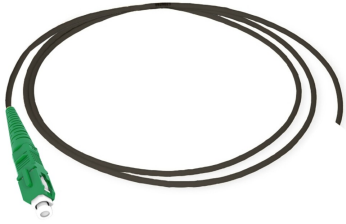


# FID-SG-105M-01A-XX

---



Fiber Optic Indoor/outdoor 3 mm Drop Cable Stub Assembly, SC/APC, 105 M

## Product Classification

<b>Regional Availability</b>	EMEA
<b>Product Type</b>	Fiber drop cable assembly
<b>Product Series</b>	FID
<b>Ordering Note</b>	For custom cable assembly lengths, please contact your local CommScope representative

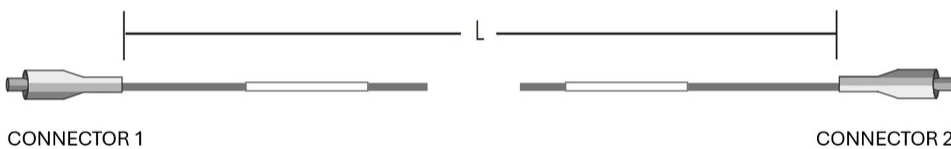
## General Specifications

<b>Cable Type</b>	Stapleable - Round
<b>Connector A, quantity</b>	1
<b>Color, boot A</b>	Green
<b>Color, connector A</b>	Green
<b>Interface, Connector A</b>	SC/APC
<b>Interface Feature, connector A</b>	Male
<b>Interface, Connector B</b>	Unterminated
<b>Jacket Color</b>	Black
<b>Total Fibers, quantity</b>	1

## Dimensions

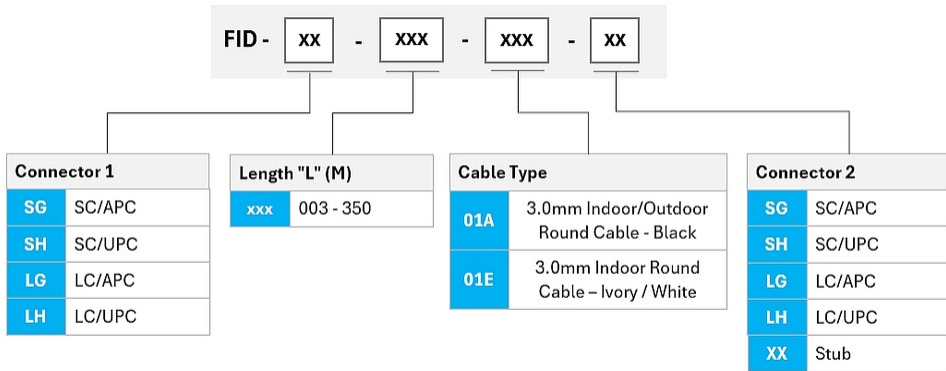
<b>Cable Assembly Length</b>	105 m   344.488 ft
<b>Cable Outer Diameter</b>	3.0 mm (0.12 in)

## Dimension Drawing

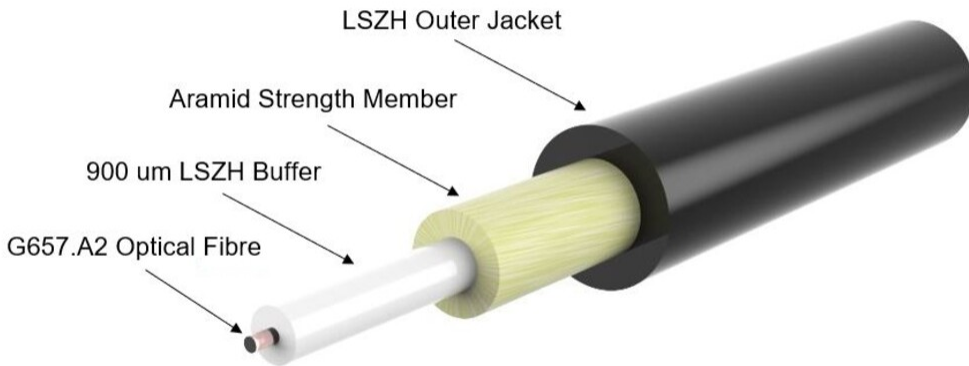


# FID-SG-105M-01A-XX

## Ordering Tree



## Representative Image



## Material Specifications

**Jacket Material** Low Smoke Zero Halogen (LSZH)

## Mechanical Specifications

**Minimum Bend Radius, loaded** 50 mm | 1.969 in

**Minimum Bend Radius, unloaded** 30 mm | 1.181 in

# FID-SG-105M-01A-XX

---

<b>Tensile Load, long term, maximum</b>	30 N   6.744 lbf
<b>Tensile Load, short term, maximum</b>	100 N   22.481 lbf
<b>Cable Crush Resistance, maximum</b>	10 N/mm   57.101 lb/in

## Optical Specifications

<b>Fiber Mode</b>	Singlemode
<b>Fiber Type</b>	G.657.A2, TeraSPEED®
<b>Insertion Loss, maximum, connector A</b>	0.25 dB
<b>Return Loss, minimum, connector A</b>	60 dB

## Environmental Specifications

<b>Installation temperature</b>	-20 °C to +60 °C (-4 °F to +140 °F)
<b>Operating Temperature</b>	-40 °C to +70 °C (-40 °F to +158 °F)
<b>Storage Temperature</b>	-40 °C to +75 °C (-40 °F to +167 °F)
<b>EN50575 CPR Cable EuroClass Fire Performance</b>	Dca
<b>Environmental Space</b>	Indoor/Outdoor
<b>Jacket UV Resistance</b>	UV stabilized
<b>Qualification Standards</b>	IEC 60794-1-2

## Packaging and Weights

<b>Packaging quantity</b>	1
<b>Weight, net</b>	1.03 kg   2.271 lb

## Regulatory Compliance/Certifications

<b>Agency</b>	<b>Classification</b>
CHINA-ROHS	Below maximum concentration value
REACH-SVHC	Compliant as per SVHC revision on <a href="http://www.commscope.com/ProductCompliance">www.commscope.com/ProductCompliance</a>
ROHS	Compliant
UK-ROHS	Compliant



## Included Products

810010113/DB C-001-DN-8G1-M01BK/30D/D-	–	Indoor/Outdoor Fiber Optic Drop cable, 1 Fiber G657 A2 0.9mm tight buffer. Breaking load Max 2000N. Suitable for installation under overhead power lines ≤11kV, vertical clearance ≥1.8m.
---	---	---

# FID-SG-105M-01A-XX

---

UK00