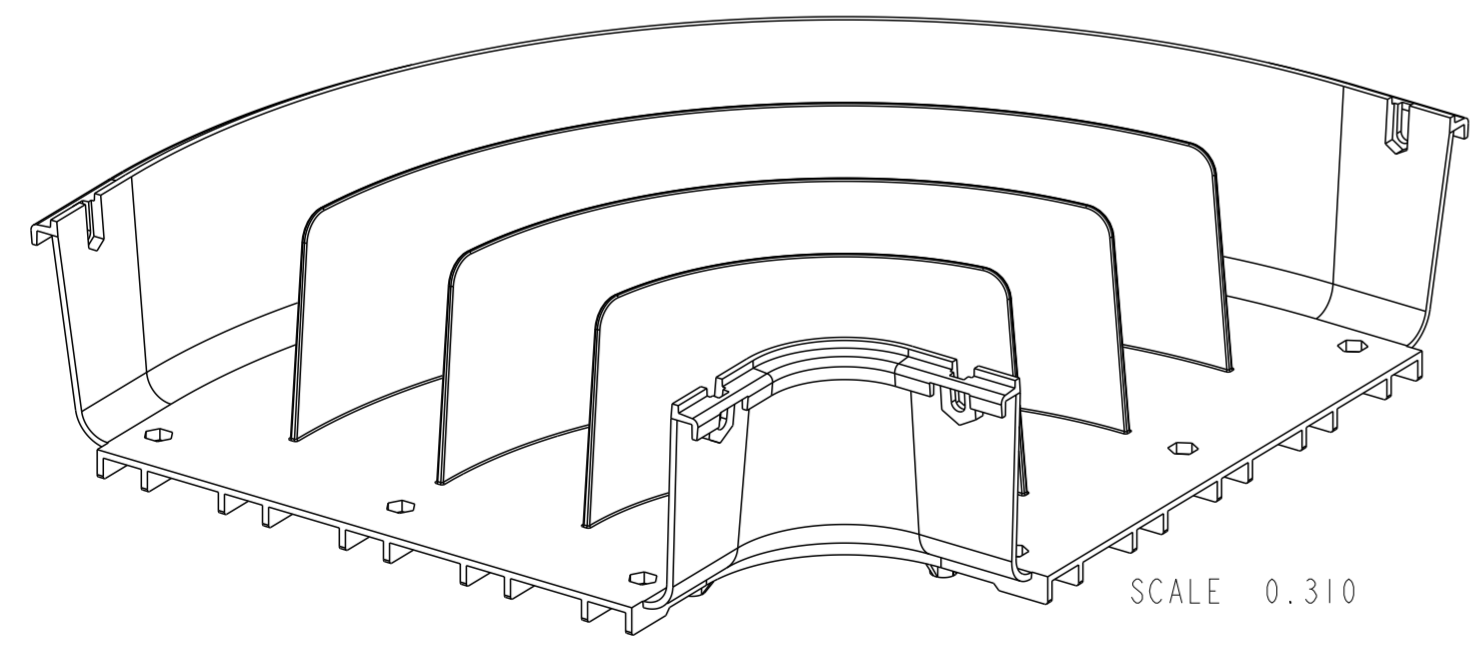
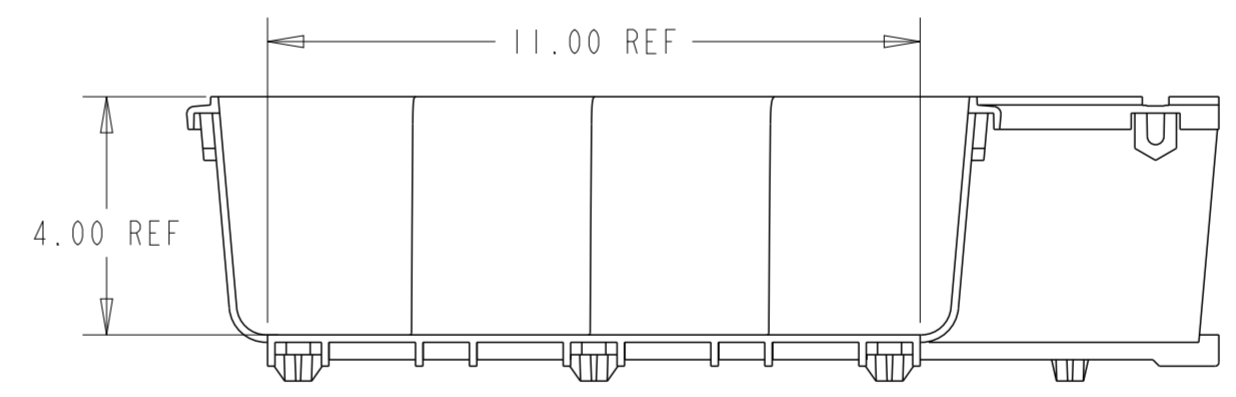
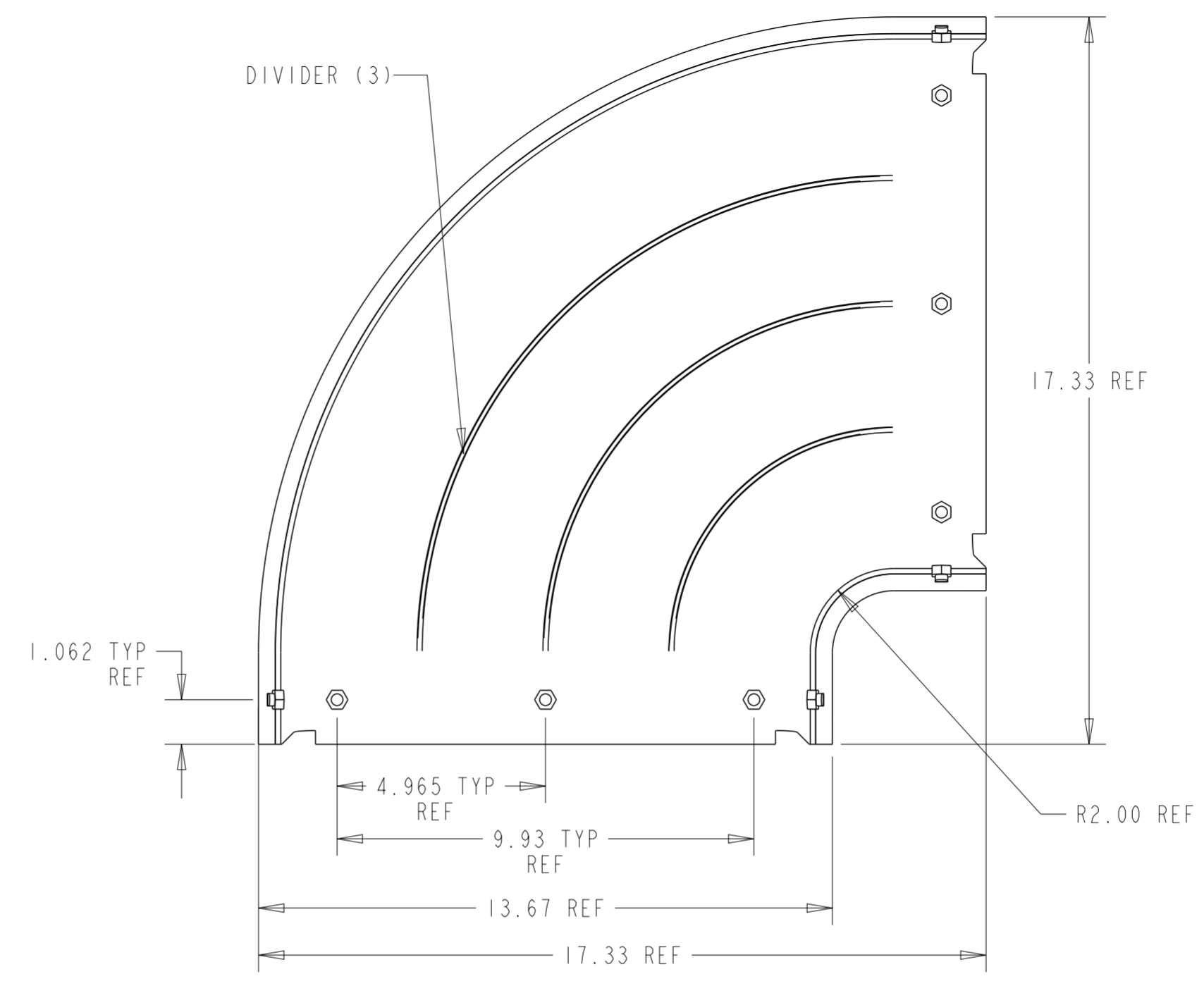
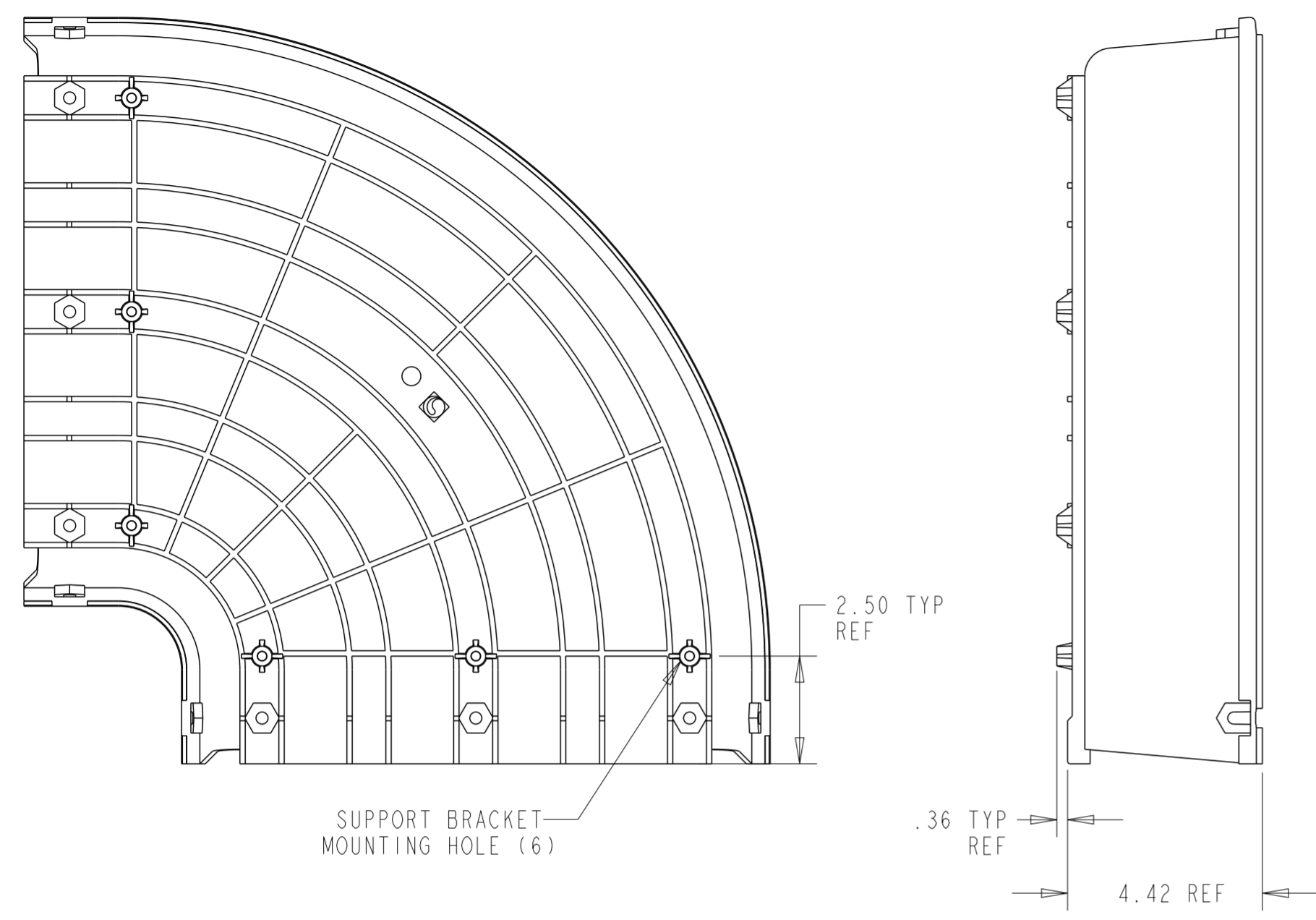


REVISIONS			
REV	CMO	DATE	APPROVED
B	20238853	28-APR-08	AED
C	40173951CMO	18-NOV-2023	JDG



FGSB-MH9E-F	BLACK
FGS-MH9E-F	YELLOW
CATALOG NO.	COLOR

NOTES:
 1. MATERIAL IS SELF EXTINGUISHING WITH A UL 94 RATING OF V-0.

COMMSCOPE, INC.			
DRAFTER JAVIER GARCIA	TITLE ELBOW, 90 HORIZ 4 X 12, FGS		
ENGINEER RUBEN ARVILLA	SIZE A2	SCALE 0.310	DOCUMENT NO. 1044492 ADC
CUSTOMER DRAWING			REVISION C
			SHEET 1 OF 1