

Fiber Indoor Cable, LSZH Riser, All-Dielectric, Central Tube Ribbon, Singlemode, G.652.D and G.657.A1, 12 Fibers, Gel-free, Feet jacket marking, Yellow jacket color

Product Classification

Regional Availability	Asia Australia/New Zealand EMEA Latin America North America
Portfolio	CommScope®
Product Type	Fiber indoor cable
Product Series	N-CN

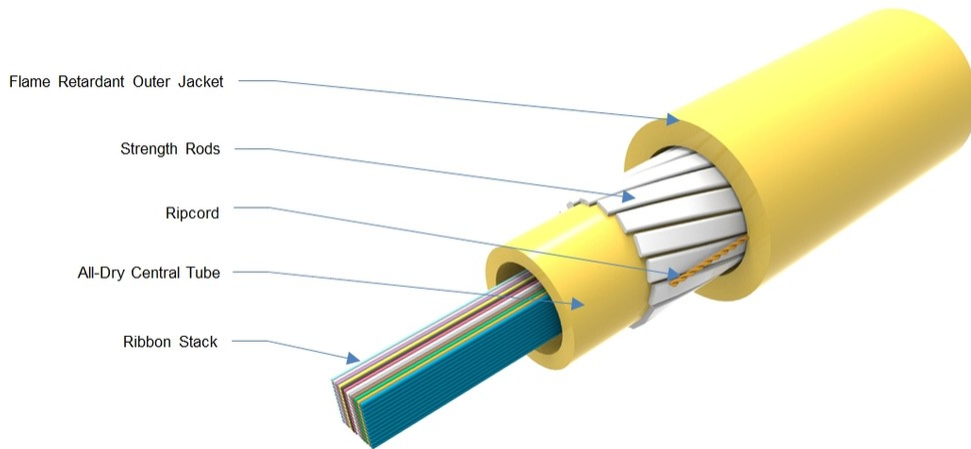
General Specifications

Cable Type	Ribbon central tube
Construction Type	Non-armored
Subunit Type	Gel-free
Fibers per Ribbon, quantity	12
Jacket Color	Yellow
Jacket Marking	Feet
Total Fiber Count	12

Dimensions

Buffer Tube/Subunit Diameter	6 mm 0.236 in
Diameter Over Jacket	9.4 mm 0.37 in

Representative Image



Mechanical Specifications

Minimum Bend Radius, loaded	188 mm 7.402 in
Minimum Bend Radius, unloaded	94 mm 3.701 in
Tensile Load, long term, maximum	334 N 75.086 lbf
Tensile Load, short term, maximum	1335 N 300.12 lbf
Compression	10 N/mm 57.101 lb/in
Compression Test Method	FOTP-41 IEC 60794-1 E3
Flex	25 cycles
Flex Test Method	FOTP-104 IEC 60794-1 E6
Impact	2.94 N-m 26.021 in lb
Impact Test Method	FOTP-25 IEC 60794-1 E4
Strain	See long and short term tensile loads
Strain Test Method	FOTP-33 IEC 60794-1 E1
Twist	10 cycles
Twist Test Method	FOTP-85 IEC 60794-1 E7

Optical Specifications

Fiber Type	G.652.D and G.657.A1 G.652.D and G.657.A1
-------------------	---

Environmental Specifications

Installation temperature	0 °C to +70 °C (+32 °F to +158 °F)
Operating Temperature	-20 °C to +70 °C (-4 °F to +158 °F)

760212142 | N-012-CN-RB-F12YL/8W/99E

Storage Temperature	-40 °C to +70 °C (-40 °F to +158 °F)
Cable Qualification Standards	ANSI/ICEA S-83-596 Telcordia GR-409
Environmental Space	Low Smoke Zero Halogen (LSZH) Riser
Flame Test Listing	NEC OFNR-ST1 (UL) and c(UL)
Flame Test Method	IEC 60332-3 IEC 60754-2 IEC 61034-2 UL 1666 UL 1685

Environmental Test Specifications

Heat Age	-20 °C to +85 °C (-4 °F to +185 °F)
Heat Age Test Method	IEC 60794-1 F9
Low High Bend	-20 °C to +70 °C (-4 °F to +158 °F)
Low High Bend Test Method	FOTP-37 IEC 60794-1 E11
Temperature Cycle	-20 °C to +70 °C (-4 °F to +158 °F)
Temperature Cycle Test Method	FOTP-3 IEC 60794-1 F1

Packaging and Weights

Cable weight	90 kg/km 60.477 lb/kft
---------------------	--------------------------

Regulatory Compliance/Certifications

Agency	Classification
ISO 9001:2015	Designed, manufactured and/or distributed under this quality management system

Included Products

CS-8Z-RB-INDOOR – Low Water Peak Dispersion-Unshifted Singlemode Fiber

* Footnotes

Operating Temperature Specification applicable to non-terminated bulk fiber cable

CS-8Z-RB-INDOOR

Low Water Peak Dispersion-Unshifted Singlemode Fiber

Product Classification

Portfolio	CommScope®
Product Type	Optical fiber

General Specifications

Cladding Diameter	125 µm
Cladding Diameter Tolerance	±0.7 µm
Cladding Non-Circularity, maximum	1 %
Coating Diameter (Colored)	250 µm
Coating Diameter (Uncolored)	245 µm
Coating Diameter Tolerance (Colored)	±15 µm
Coating Diameter Tolerance (Uncolored)	±10 µm
Coating/Cladding Concentricity Error, maximum	12 µm
Core/Clad Offset, maximum	0.5 µm
Proof Test	689.476 N/mm ² 100000 psi

Dimensions

Fiber Curl, minimum	4 m 13.123 ft
----------------------------	-----------------

Mechanical Specifications

Macrobending, 20 mm Ø mandrel, 1 turn	0.75 dB @ 1,550 nm 1.50 dB @ 1,625 nm
Macrobending, 30 mm Ø mandrel, 10 turns	0.25 dB @ 1,550 nm 1.00 dB @ 1,625 nm
Macrobending, 60 mm Ø mandrel, 100 turns	0.03 dB @ 1,550 nm 0.03 dB @ 1,625 nm
Coating Strip Force, maximum	8.9 N 2.001 lbf
Coating Strip Force, minimum	1.3 N 0.292 lbf
Dynamic Fatigue Parameter, minimum	18

Optical Specifications

Cabled Cutoff Wavelength, maximum	1260 nm
Point Defects, maximum	0.1 dB
Zero Dispersion Slope, maximum	0.092 ps/[km-nm-nm]

CS-8Z-RB-INDOOR

Zero Dispersion Wavelength, maximum 1324 nm

Zero Dispersion Wavelength, minimum 1300 nm

Optical Specifications, Wavelength Specific

Attenuation, maximum 0.30 dB/km @ 1,550 nm | 0.40 dB/km @ 1,310 nm | 0.40 dB/km @ 1,385 nm

Backscatter Coefficient -79.6 dB @ 1,310 nm | -82.1 dB @ 1,550 nm

Dispersion, maximum 18 ps(nm-km) at 1550 nm | 3.5 ps(nm-km) from 1285 nm to 1330 nm at 1310 nm

Index of Refraction 1.467 @ 1,310 nm | 1.468 @ 1,385 nm | 1.468 @ 1,550 nm

Mode Field Diameter 10.4 μm @ 1,550 nm | 9.2 μm @ 1,310 nm | 9.6 μm @ 1,385 nm

Mode Field Diameter Tolerance $\pm 0.4 \mu\text{m}$ @ 1310 nm | $\pm 0.5 \mu\text{m}$ @ 1550 nm | $\pm 0.6 \mu\text{m}$ @ 1385 nm

Polarization Mode Dispersion Link Design Value, maximum 0.2 ps/sqrt(km)

Standards Compliance ITU-T G.652.D | ITU-T G.657.A1 | TIA-492CAAB (OS2)

Environmental Specifications

Heat Aging, maximum 0.05 dB/km @ 85 °C

Temperature Dependence, maximum 0.05 dB/km

Temperature Humidity Cycling, maximum 0.05 dB/km

Water Immersion, maximum 0.05 dB/km @ 23 °C

Regulatory Compliance/Certifications

Agency	Classification
ISO 9001:2015	Designed, manufactured and/or distributed under this quality management system

* Footnotes

Temperature Dependence, maximum Temperature dependence is conducted at -60 °C to +85 °C (-76 °F to +185 °F)

Temperature Humidity Cycling, maximum Temperature humidity cycling is conducted at -10 °C to +85 °C (+14 °F to +185 °F) up to 95% relative humidity