



Fiber Indoor Cable, LSZH Riser, All-Dielectric, Central Tube Ribbon, Singlemode, G.652.D and G.657.A1, 96 Fibers, Gel-free, Feet jacket marking, Yellow jacket color

Product Classification

Regional Availability	Asia Australia/New Zealand EMEA Latin America North America
Portfolio	CommScope®
Product Type	Fiber indoor cable
Product Series	N-CN

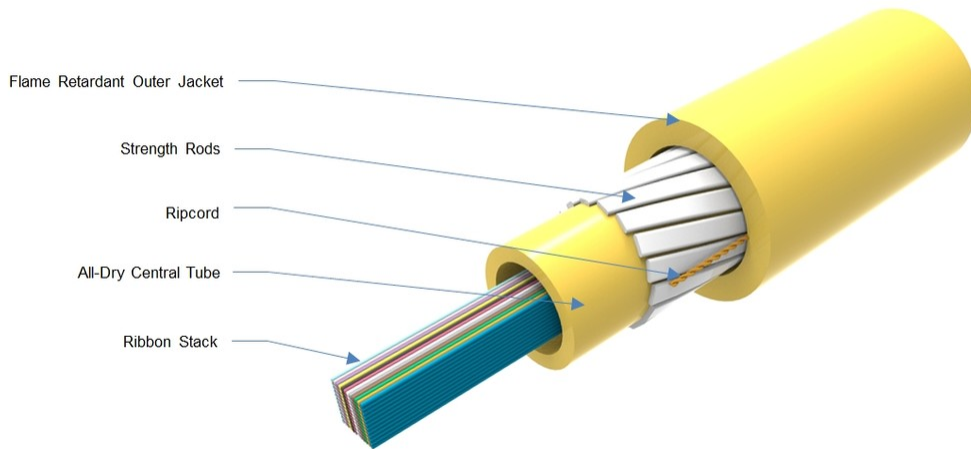
General Specifications

Cable Type	Ribbon central tube
Construction Type	Non-armored
Subunit Type	Gel-free
Fibers per Ribbon, quantity	12
Jacket Color	Yellow
Jacket Marking	Feet
Total Fiber Count	96

Dimensions

Buffer Tube/Subunit Diameter	6.8 mm 0.268 in
Diameter Over Jacket	10.2 mm 0.402 in

Representative Image



Mechanical Specifications

Minimum Bend Radius, loaded	203.2 mm 8 in
Minimum Bend Radius, unloaded	101.6 mm 4 in
Tensile Load, long term, maximum	334 N 75.086 lbf
Tensile Load, short term, maximum	1335 N 300.12 lbf
Compression	10 N/mm 57.101 lb/in
Compression Test Method	FOTP-41 IEC 60794-1 E3
Flex	25 cycles
Flex Test Method	FOTP-104 IEC 60794-1 E6
Impact	2.94 N-m 26.021 in lb
Impact Test Method	FOTP-25 IEC 60794-1 E4
Strain	See long and short term tensile loads
Strain Test Method	FOTP-33 IEC 60794-1 E1
Twist	10 cycles
Twist Test Method	FOTP-85 IEC 60794-1 E7

Optical Specifications

Fiber Type	G.652.D and G.657.A1 G.652.D and G.657.A1
-------------------	---

Environmental Specifications

Installation temperature	0 °C to +70 °C (+32 °F to +158 °F)
Operating Temperature	-20 °C to +70 °C (-4 °F to +158 °F)

760212209 | N-096-CN-RB-F12YL/8W/99E

Storage Temperature	-40 °C to +70 °C (-40 °F to +158 °F)
Cable Qualification Standards	ANSI/ICEA S-83-596 Telcordia GR-409
Environmental Space	Low Smoke Zero Halogen (LSZH) Riser
Flame Test Listing	NEC OFNR-ST1 (UL) and c(UL)
Flame Test Method	IEC 60332-3 IEC 60754-2 IEC 61034-2 UL 1666 UL 1685

Environmental Test Specifications

Heat Age	-20 °C to +85 °C (-4 °F to +185 °F)
Heat Age Test Method	IEC 60794-1 F9
Low High Bend	-20 °C to +70 °C (-4 °F to +158 °F)
Low High Bend Test Method	FOTP-37 IEC 60794-1 E11
Temperature Cycle	-20 °C to +70 °C (-4 °F to +158 °F)
Temperature Cycle Test Method	FOTP-3 IEC 60794-1 F1

Packaging and Weights

Cable weight	98 kg/km 65.853 lb/kft
---------------------	--------------------------

Regulatory Compliance/Certifications

Agency	Classification
ISO 9001:2015	Designed, manufactured and/or distributed under this quality management system

Included Products

CS-8Z-RB-INDOOR – Low Water Peak Dispersion-Unshifted Singlemode Fiber

* Footnotes

Operating Temperature Specification applicable to non-terminated bulk fiber cable

CS-8Z-RB-INDOOR

Low Water Peak Dispersion-Unshifted Singlemode Fiber

Product Classification

Portfolio	CommScope®
Product Type	Optical fiber

General Specifications

Cladding Diameter	125 µm
Cladding Diameter Tolerance	±0.7 µm
Cladding Non-Circularity, maximum	1 %
Coating Diameter (Colored)	250 µm
Coating Diameter (Uncolored)	245 µm
Coating Diameter Tolerance (Colored)	±15 µm
Coating Diameter Tolerance (Uncolored)	±10 µm
Coating/Cladding Concentricity Error, maximum	12 µm
Core/Clad Offset, maximum	0.5 µm
Proof Test	689.476 N/mm ² 100000 psi

Dimensions

Fiber Curl, minimum	4 m 13.123 ft
----------------------------	-----------------

Mechanical Specifications

Macrobending, 20 mm Ø mandrel, 1 turn	0.75 dB @ 1,550 nm 1.50 dB @ 1,625 nm
Macrobending, 30 mm Ø mandrel, 10 turns	0.25 dB @ 1,550 nm 1.00 dB @ 1,625 nm
Macrobending, 60 mm Ø mandrel, 100 turns	0.03 dB @ 1,550 nm 0.03 dB @ 1,625 nm
Coating Strip Force, maximum	8.9 N 2.001 lbf
Coating Strip Force, minimum	1.3 N 0.292 lbf
Dynamic Fatigue Parameter, minimum	18

Optical Specifications

Cabled Cutoff Wavelength, maximum	1260 nm
Point Defects, maximum	0.1 dB
Zero Dispersion Slope, maximum	0.092 ps/[km-nm-nm]

CS-8Z-RB-INDOOR

Zero Dispersion Wavelength, maximum	1324 nm
Zero Dispersion Wavelength, minimum	1300 nm

Optical Specifications, Wavelength Specific

Attenuation, maximum	0.30 dB/km @ 1,550 nm 0.40 dB/km @ 1,310 nm 0.40 dB/km @ 1,385 nm
Backscatter Coefficient	-79.6 dB @ 1,310 nm -82.1 dB @ 1,550 nm
Dispersion, maximum	18 ps(nm-km) at 1550 nm 3.5 ps(nm-km) from 1285 nm to 1330 nm at 1310 nm
Index of Refraction	1.467 @ 1,310 nm 1.468 @ 1,385 nm 1.468 @ 1,550 nm
Mode Field Diameter	10.4 μm @ 1,550 nm 9.2 μm @ 1,310 nm 9.6 μm @ 1,385 nm
Mode Field Diameter Tolerance	$\pm 0.4 \mu\text{m}$ @ 1310 nm $\pm 0.5 \mu\text{m}$ @ 1550 nm $\pm 0.6 \mu\text{m}$ @ 1385 nm
Polarization Mode Dispersion Link Design Value, maximum	0.2 ps/sqrt(km)
Standards Compliance	ITU-T G.652.D ITU-T G.657.A1 TIA-492CAAB (OS2)

Environmental Specifications

Heat Aging, maximum	0.05 dB/km @ 85 °C
Temperature Dependence, maximum	0.05 dB/km
Temperature Humidity Cycling, maximum	0.05 dB/km
Water Immersion, maximum	0.05 dB/km @ 23 °C

Regulatory Compliance/Certifications

Agency	Classification
ISO 9001:2015	Designed, manufactured and/or distributed under this quality management system

* Footnotes

Temperature Dependence, maximum	Temperature dependence is conducted at -60 °C to +85 °C (-76 °F to +185 °F)
Temperature Humidity Cycling, maximum	Temperature humidity cycling is conducted at -10 °C to +85 °C (+14 °F to +185 °F) up to 95% relative humidity