

# PFC-S02016

---



Powered Fiber Cable, OS2, 2 Fibers, Outdoor, 16AWG Conductor, meter, feet

- Easy peel, stranded conductors for maximum cable flexibility and rapid access
- Polarization indentation along one side of the cable for polarity identification
- No special tools or mounting hardware required - usage of a standard "FTTH" pressure clamp for aerial installation
- Easy split of cable into three separate sections for separate routing in closures, as needed for installation
- Polyethylene jacket for outdoor duct or direct buried applications

## Product Classification

<b>Regional Availability</b>	Asia   Australia/New Zealand   EMEA   Latin America   North America
<b>Product Type</b>	Hybrid cable, fiber and power
<b>Ordering Note</b>	Minimum order quantity is 500 meter

## General Specifications

<b>Cable Type</b>	Stranded outdoor
<b>Fiber Short Description</b>	PFC-016
<b>Jacket Color</b>	Black
<b>Total Fiber Count</b>	2

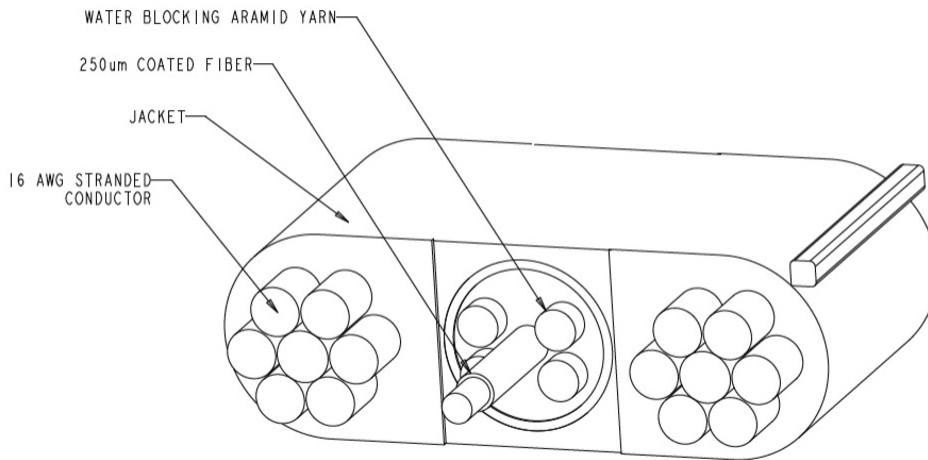
## Dimensions

<b>Height Over Jacket</b>	4.318 mm   0.17 in
<b>Width Over Jacket</b>	11.43 mm   0.45 in
<b>Conductor Gauge</b>	16 AWG

## Outline Drawing

# PFC-S02016

---



## Mechanical Specifications

<b>Minimum Bend Radius, loaded</b>	50.8 mm   2 in
<b>Minimum Bend Radius, unloaded</b>	30.48 mm   1.2 in
<b>Tensile Load, long term, maximum</b>	133.447 N   30 lbf
<b>Tensile Load, short term, maximum</b>	440.374 N   99 lbf
<b>Vertical Rise, maximum</b>	122.011 m   400.3 ft

## Optical Specifications

<b>Fiber Type</b>	G.657.A2, TeraSPEED®   OS2
-------------------	----------------------------

## Environmental Specifications

<b>Installation temperature</b>	-10 °C to +60 °C (+14 °F to +140 °F)
<b>Operating Temperature</b>	-40 °C to +70 °C (-40 °F to +158 °F)
<b>Storage Temperature</b>	-40 °C to +70 °C (-40 °F to +158 °F)
<b>Cable Qualification Standards</b>	Telcordia GR-20-CORE Issue 4
<b>Environmental Space</b>	Outdoor
<b>Jacket UV Resistance</b>	UV stabilized

## Packaging and Weights

<b>Cable weight</b>	69.944 kg/km   47 lb/kft
---------------------	--------------------------

# PFC-S02016

---

## Regulatory Compliance/Certifications

<b>Agency</b>	<b>Classification</b>
CHINA-ROHS	Below maximum concentration value
REACH-SVHC	Compliant as per SVHC revision on <a href="http://www.commscope.com/ProductCompliance">www.commscope.com/ProductCompliance</a>
ROHS	Compliant
UK-ROHS	Compliant

