



FOSC® 450 A4 Fiber Optic Splice Closure

- Single-ended, O-ring sealed dome closure for splicing feeder and distribution cables
- Gel cable sealing technology allows easy adding or removing of a wide size range of cables
- Compatible with most common cable types: e.g. loose tube, central core, ribbon fiber
- FOSC splice trays hinged for access to any splice without disturbing other trays
- Closure can be used in aerial, pedestal and underground (up to 5 meters) environments
- Compatible with CommScope's CWDM modules and optical splitter trays

Product Classification

Regional Availability	Asia
Product Type	Single-ended, round fiber closure
Product Brand	FOSC®
Product Series	FOSC 450

General Specifications

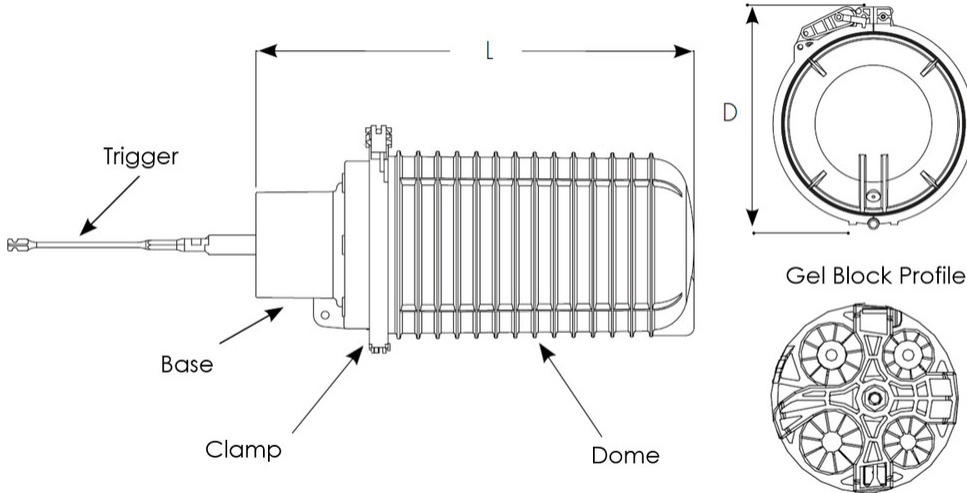
Cable Entry Drop Port Style	Round
Cable Entry Main Port Style	Round
Cable Ports Quantity, total	4 round ports
Cable Sealing Type	Compressed gel
Closure Sealing Type	Dome-to-base clamp with O-ring
Closure Style	Single-ended
Color	Black
Mounting	Pole Strand Wall
Network Area Type	Feeder
Splicing Type, Supported	Mass fusion Single fusion

Dimensions

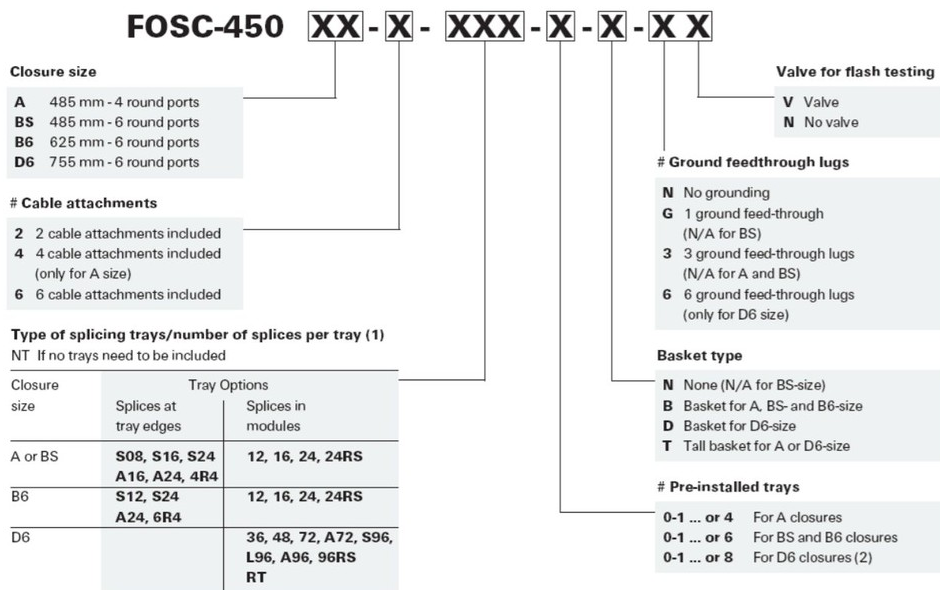
Main Cable Diameter, maximum	28 mm 1.102 in
-------------------------------------	------------------

Dimension Drawing

CK4188-000 | FOSC-450A-2-24-2-BGN-IN13



Ordering Tree



Material Specifications

Material Type Impact-resistant polymer

Environmental Specifications

Environmental Space Below ground | Buried

CK4188-000 | FOSC-450A-2-24-2-BGN-IN13

Qualification Standards IEC 61300, 5 m waterhead

Packaging and Weights

Included Cable blocking components

Packaging quantity 1

Packaging Type Box | Carton

Weight, net 2.72 kg | 5.997 lb

Regulatory Compliance/Certifications

Agency

ISO 9001:2015

REACH-SVHC

Classification

Designed, manufactured and/or distributed under this quality management system

Compliant as per SVHC revision on www.commscope.com/ProductCompliance

