



BUDI™ Fiber Optic Wall mount Enclosure, Splice/patch version with 1x32 FPS splitter module

- Compact, wall mountable fiber enclosures for indoor and outdoor use
- Specifically designed for fast FTTH deployment and easy customer connection
- Available with splicing (FIST) and/or patching and/or splitter combinations
- Multiple and modular wrap around cable port sealing options

Product Classification

Regional Availability	North America
Product Type	Fiber wall box
Product Brand	BUDI™
Product Series	BUDI-M

General Specifications

Functionality	Patching Splicing Splitting
Access	Front
Application	Splitting
Cable Entry Location	Bottom
Distribution Type	1 x 32 splitter
Enclosure Color	Gray
Front Cover Type	Snap-on cover
Interface	SC/APC
Mounting	Wall
Port, quantity	90
Splicing Capacity, maximum	24
Splicing Type, Supported	Mass fusion
Split Ratio	Symmetrical
Splitter, quantity	1

Dimensions

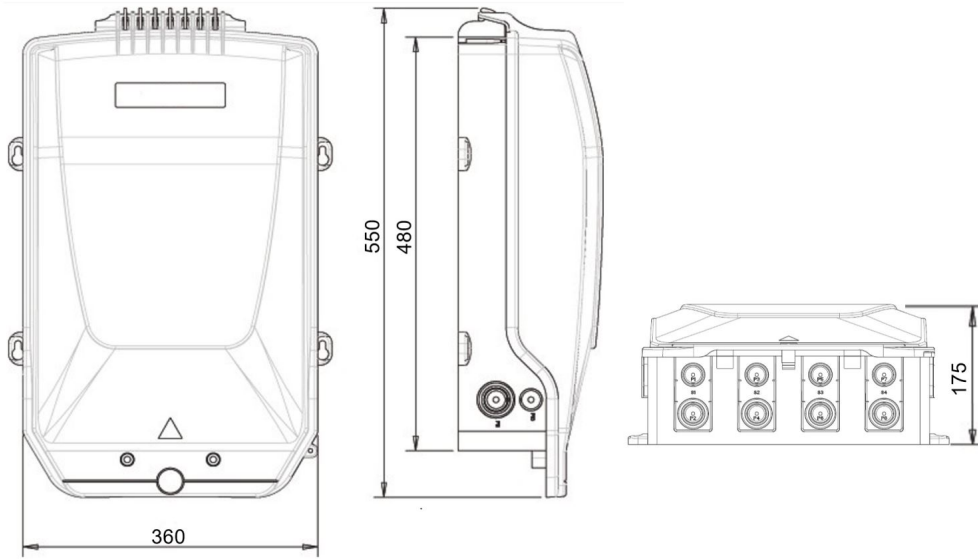
Height	480 mm 18.898 in
Height, with cover	550 mm 21.654 in

760245057 | BUDI-M-TS2FPS32N-0000

Width 360 mm | 14.173 in

Depth 175 mm | 6.89 in

Dimension Drawing



Material Specifications

Enclosure Material Type LSZH thermoplastic

Optical Specifications

Fiber Mode Singlemode

Environmental Specifications

Environmental Space Indoor/Outdoor

Qualification Standards IEC 60529, IP54 | IEC 61753-1, category G | Telcordia GR-2898-CORE

Packaging and Weights

Included Cable seal | Splice tray

Packaging quantity 1

Packaging Type Box | Carton

Regulatory Compliance/Certifications

Agency **Classification**

760245057 | BUDI-M-TS2FPS32N-0000

CHINA-ROHS

Above maximum concentration value

ROHS

Compliant/Exempted

UK-ROHS

Compliant/Exempted

