

# MST-0JRH00-A1100U



MST, Fiber Optic Multiport Service Terminal, 8-port with 1x8 splitter, square 4x3 port, dielectric flat loose tube cable, 1100 ft

- Hardened connectors are factory-terminated and environmentally sealed for use in optical drop cable deployments
- Plug and play adapter ports ensure rapid cable installment in the outside plant access section of the network
- Multiport Service Terminals incorporate hardened connector technology that is designed to withstand the rugged outside plant environment

## Alternative products available:

HST-B8HCA1100NN000 HST, NOVUX™ Hardened Standard Terminal, 8-port Planar 1:8 Splitter, Dielectric flat loose tube cable, 1100 ft/335 m

## Product Classification

|                              |                                      |
|------------------------------|--------------------------------------|
| <b>Regional Availability</b> | Asia   Latin America   North America |
| <b>Product Type</b>          | Access terminal, with splitter       |
| <b>Product Series</b>        | MST                                  |

## General Specifications

|                           |                                     |
|---------------------------|-------------------------------------|
| <b>Cable Type</b>         | Dielectric - Flat - Loose Tube      |
| <b>Cable, quantity</b>    | 1                                   |
| <b>Distribution Type</b>  | 1 x 8 splitter                      |
| <b>Enclosure Color</b>    | Black                               |
| <b>Mounting</b>           | Handhole   Pedestal   Pole   Strand |
| <b>Port Type</b>          | Hardened full-size SC/APC           |
| <b>Port, quantity</b>     | 8                                   |
| <b>Splitter, quantity</b> | 1                                   |
| <b>Stub Type</b>          | Stub tail                           |

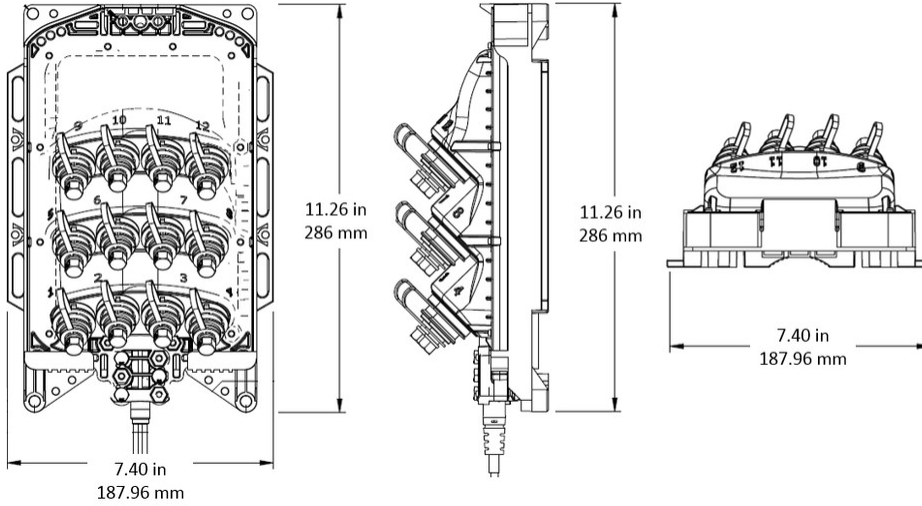
## Dimensions

|               |                    |
|---------------|--------------------|
| <b>Height</b> | 286 mm   11.26 in  |
| <b>Width</b>  | 188 mm   7.402 in  |
| <b>Depth</b>  | 92.1 mm   3.626 in |

# MST-OJRH00-A1100U

|                             |                               |
|-----------------------------|-------------------------------|
| <b>Cable Length, stub</b>   | 1100 ft (335 m)               |
| <b>Cable Outer Diameter</b> | 4.5 x 8.1 mm (0.18 x 0.32 in) |

## Dimension Drawing



## Ordering Tree

MST -  RH00 -

### Terminal model

|    |                |
|----|----------------|
| 04 | 4 ports        |
| 06 | 6 ports        |
| 08 | 8 ports        |
| 12 | 12 ports       |
| 0N | 1 x 4 splitter |
| 0J | 1 x 8 splitter |

### Cable type

|   |                              |
|---|------------------------------|
| A | Dielectric, flat, loose tube |
| B | Locatable, flat, loose tube  |

### Mounting style\*

|   |  |
|---|--|
| U | Universal: Terminal is on top of the spool; stub deploys first                 |
| A | Reversal spool: Terminal is on the bottom of the spool; terminal deploys first |

### Standard cable stub length

|      |           |
|------|-----------|
| 0050 | 50 feet   |
| 0100 | 100 feet  |
| 0200 | 200 feet  |
| 0500 | 500 feet  |
| 0750 | 750 feet  |
| 1000 | 1000 feet |
| 1500 | 1500 feet |
| 2000 | 2000 feet |

Standard lengths shown; metric lengths available

\*0-300 ft lengths of cable is automatically coiled (option U), for greater than 300 ft cable lengths, choose U or A option.

## Material Specifications

|                                |                           |
|--------------------------------|---------------------------|
| <b>Enclosure Material Type</b> | Gasketed hardened plastic |
|--------------------------------|---------------------------|

## Optical Specifications

# MST-OJRH00-A1100U

---

|  |   |
|--|---|
| <b>Fiber Type</b>                                  | G.657.A1/A2                                 |
| <b>Operating Wavelength Range</b>                  | 1260 – 1635 nm                              |
| <b>Attenuation Cable Coefficient, maximum</b>      | 0.30 dB/km @ 1550 nm   0.40 dB/km @ 1310 nm |
| <b>Attenuation Splitter, maximum</b>               | 10.4 dB                                     |
| <b>Attenuation Terminal Connectors, maximum</b>    | 0.4 dB                                      |
| <b>Directivity, minimum</b>                        | 60 dB                                       |
| <b>Insertion Loss, Splitter, typical</b>           | 10 dB                                       |
| <b>Insertion Loss, Terminal Connector, typical</b> | 0.16 dB                                     |
| <b>Return Loss, Connector, minimum</b>             | 65 dB                                       |
| <b>Return Loss, Single Ports, minimum</b>          | 55 dB                                       |

## Environmental Specifications

|                                |  |
|--------------------------------|--|
| <b>Operating Temperature</b>   | -40 °C to +70 °C (-40 °F to +158 °F)   |
| <b>Relative Humidity</b>       | 5%–100%, condensing  |
| <b>Environmental Space</b>     | Above ground   Below ground   Buried   |
| <b>Flammability Rating</b>     | UL 94 5VA  |
| <b>Qualification Standards</b> | IEC 60529, IP68 + 2 m waterhead   Telcordia GR-3120-CORE   Telcordia GR-326-CORE   Telcordia GR-771-CORE |
| <b>UV Resistance</b>           | UV stabilized  |

## Packaging and Weights

|                              |   |
|------------------------------|---|
| <b>Included</b>              | Enclosure (1)   Optical splitter (1)   Universal mounting bracket (1) |
| <b>Packaging quantity</b>    | 1   |
| <b>Packaging Type</b>        | Box   Carton  |
| <b>Weight, without cable</b> | 1.36 kg   2.998 lb  |

## Regulatory Compliance/Certifications

| <b>Agency</b> | <b>Classification</b>  |
|---------------|--|
| CHINA-ROHS    | Below maximum concentration value  |
| ISO 9001:2015 | Designed, manufactured and/or distributed under this quality management system   |
| REACH-SVHC    | Compliant as per SVHC revision on <a href="http://www.commscope.com/ProductCompliance">www.commscope.com/ProductCompliance</a> |
| ROHS          | Compliant  |
| UK-ROHS       | Compliant  |

# MST-OJRH00-A1100U

---



## Included Products

MST-UMB-4312 – Universal MST Mounting Bracket