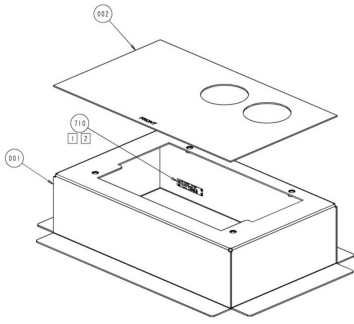


FD3-PMFC06



FDH Pad Mount Frame for small sized shells (FDH3000 FD3-AC* and FDH5000 Models)

FDH Pad Mount Frame for small sized shells (FDH3000 FD3-AC* and FDH5000 Models)

Product Classification

Regional Availability	North America
Product Type	Pad mount frame
Product Series	FDH 3000 FDH 5000

General Specifications

Application	For use with FDH 3000 cabinets
Mounting	Pad

Regulatory Compliance/Certifications

Agency	Classification
CHINA-ROHS	Below maximum concentration value
REACH-SVHC	Compliant as per SVHC revision on www.commscope.com/ProductCompliance
ROHS	Compliant
UK-ROHS	Compliant

