

# NDX-10BTMOU-A0050F



## DLX® Fiber Indexing Terminal, 1x8 Splitter, 8 Forward Ports, 1 Reverse Port, Dielectric Flat Loose Tube Cable, 50 Feet

- Fiber Indexing terminals are access terminals using hardened connectivity technology that withstand the rugged outside plant environment
- Fiber Indexing terminals eliminate splicing and use 12-strand fiber cable in a daisy-chain topology, reducing the total required cable length by up to 70%
- Hardened adapters are factory-terminated and environmentally sealed to ensure rapid plug-and-play drop cable installations

## Product Classification

|                              |                                        |
|------------------------------|----------------------------------------|
| <b>Regional Availability</b> | North America                          |
| <b>Product Type</b>          | Access terminal, indexed with splitter |
| <b>Product Brand</b>         | DLX®                                   |
| <b>Product Series</b>        | NDX                                    |

## General Specifications

|                               |                                                |
|-------------------------------|------------------------------------------------|
| <b>Cable Type</b>             | Dielectric - Flat - Loose Tube                 |
| <b>Cable, quantity</b>        | 1                                              |
| <b>Distribution Type</b>      | 1 x 8 splitter                                 |
| <b>Enclosure Color</b>        | Black                                          |
| <b>Forward Port Type</b>      | Hardened mini-size (DLX) adapter               |
| <b>Forward Port, quantity</b> | 8                                              |
| <b>Mounting</b>               | Handhole   Pedestal   Pole                     |
| <b>Port Type</b>              | Hardened multi-fiber (HMFOC) jack, male/pinned |
| <b>Port, quantity</b>         | 1                                              |
| <b>Reverse Port Type</b>      | Hardened mini-size DLX                         |
| <b>Reverse Port, quantity</b> | 1                                              |
| <b>Splitter, quantity</b>     | 1                                              |
| <b>Stub Type</b>              | Hardened multi-fiber (HMFOC) plug              |

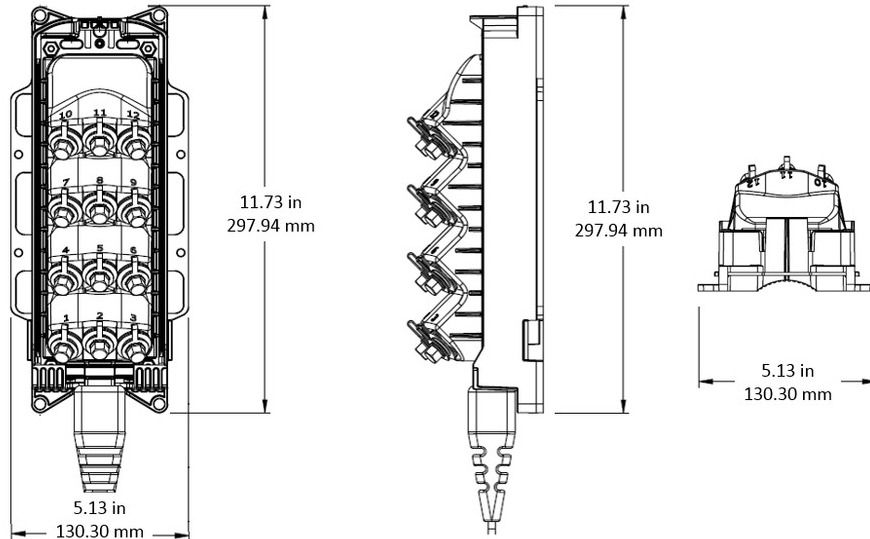
## Dimensions

|               |                      |
|---------------|----------------------|
| <b>Height</b> | 297.8 mm   11.724 in |
| <b>Width</b>  | 130.3 mm   5.13 in   |

# NDX-10BTMOU-A0050F

|                             |                               |
|-----------------------------|-------------------------------|
| <b>Depth</b>                | 90.4 mm   3.559 in            |
| <b>Cable Length, stub</b>   | 50 ft (15 m)                  |
| <b>Cable Outer Diameter</b> | 4.5 x 8.1 mm (0.18 x 0.32 in) |

## Dimension Drawing



## Ordering Tree

# NDX-10BTMOU-A0050F



## Material Specifications

### Enclosure Material Type

Gasketed hardened plastic

## Optical Specifications

### Fiber Type

G.652.D

### Operating Wavelength Range

1260 – 1635 nm

### Attenuation Cable Coefficient, maximum

0.30 dB/km @ 1550 nm | 0.40 dB/km @ 1310 nm

### Attenuation Splitter, maximum

10.4 dB

### Attenuation Terminal Connectors, maximum

0.45 dB

### Directivity, minimum

60 dB

### Uniformity, maximum

1 dB

### Insertion Loss, Splitter, typical

10 dB

### Insertion Loss, Stub Connector, maximum

0.45 dB

### Insertion Loss, Stub Connector, typical

0.16 dB

### Insertion Loss, Terminal Connector, typical

0.16 dB

### Return Loss, Connector, minimum

65 dB

# NDX-10BTMOU-A0050F

**Return Loss, Single Ports, minimum** 55 dB

## Environmental Specifications

**Operating Temperature** -40 °C to +70 °C (-40 °F to +158 °F)  
**Relative Humidity** 5%–100%, condensing  
**Environmental Space** Above ground | Below ground | Buried  
**Flammability Rating** UL 94 V-0  
**Qualification Standards** IEC 60529, IP68 + 2 m waterhead | NEMA, Type 6 + 10 ft waterhead | Telcordia GR-3120-CORE | Telcordia GR-326-CORE | Telcordia GR-771-CORE  
**UV Resistance** UV stabilized

## Packaging and Weights

**Included** Enclosure (1) | Optical splitter (1) | Universal mounting bracket (1)  
**Packaging quantity** 1  
**Packaging Type** Box | Carton  
**Weight, without cable** 1 kg | 2.205 lb

## Regulatory Compliance/Certifications

| Agency        | Classification                                                                                                                 |
|---------------|--------------------------------------------------------------------------------------------------------------------------------|
| CHINA-ROHS    | Below maximum concentration value                                                                                              |
| ISO 9001:2015 | Designed, manufactured and/or distributed under this quality management system                                                 |
| REACH-SVHC    | Compliant as per SVHC revision on <a href="http://www.commscope.com/ProductCompliance">www.commscope.com/ProductCompliance</a> |
| ROHS          | Compliant                                                                                                                      |
| UK-ROHS       | Compliant                                                                                                                      |



## Included Products

MST-UMB-MINI – DLX® Mini-MST, Fiber Optic Universal Mounting Bracket