



DLX® Mini-MST, Fiber Optic Multiport Service Terminal, 4-port, round cable, 200 m

- Hardened connectors are factory-terminated and environmentally sealed for use in optical drop cable deployments
- Plug-and-play adapter ports ensure rapid cable installment in the outside plant access section of the network
- Multiport Service Terminals incorporate hardened connector technology that is designed to withstand the rugged outside plant environment

## Product Classification

<b>Regional Availability</b>	EMEA
<b>Product Type</b>	Access terminal, without splitter/tap
<b>Product Brand</b>	DLX®
<b>Product Series</b>	Mini-MST

## General Specifications

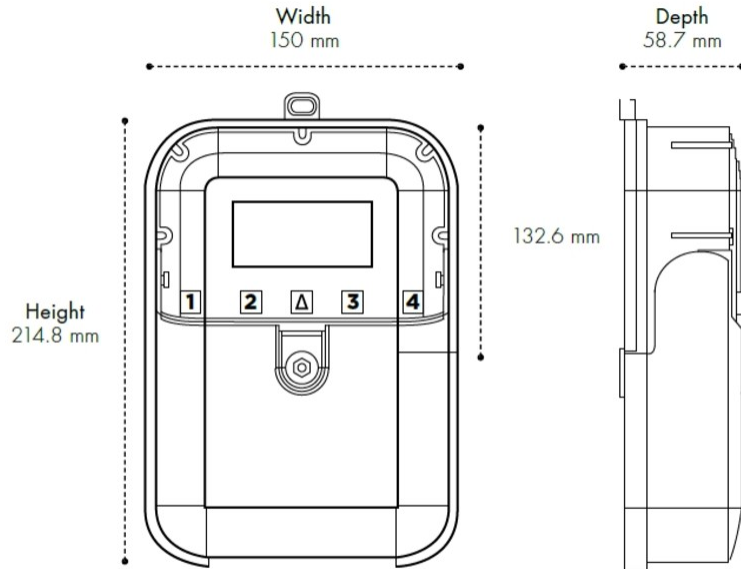
<b>Cable Type</b>	Armored - Round - Loose Tube
<b>Cable, quantity</b>	1
<b>Distribution Type</b>	4 ports
<b>Enclosure Color</b>	Gray
<b>Mounting</b>	Handhole   Wall
<b>Port Type</b>	Hardened mini-size DLX
<b>Port, quantity</b>	4
<b>Splitter, quantity</b>	0
<b>Stub Type</b>	Stub tail

## Dimensions

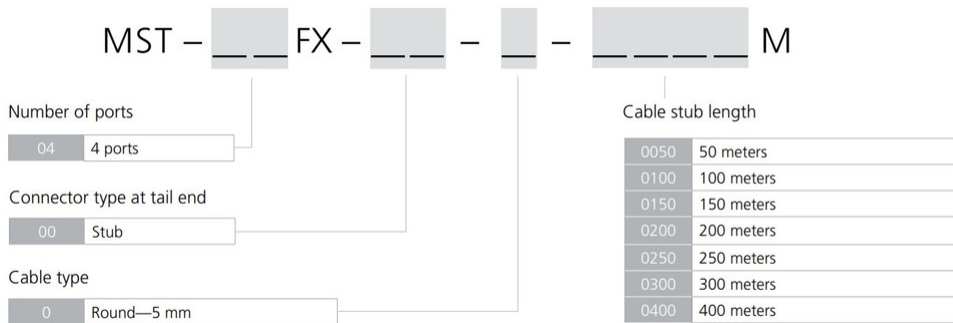
<b>Height</b>	214.8 mm   8.457 in
<b>Width</b>	150 mm   5.906 in
<b>Cable Length</b>	200 m   656.168 ft
<b>Depth</b>	58.7 mm   2.311 in
<b>Outer Cable Dimensions</b>	5.0 mm (0.20 in)

# 760235374 | MST-04FX00-U0200UM-IE-5MM

## Dimension Drawing



## Ordering Tree



## Material Specifications

### Enclosure Material Type

Gasketed hardened plastic

## Optical Specifications

### Fiber Type

G.657.A1

### Wavelength Range

1260–1635 nm

### Insertion Loss, Terminal Connector, maximum

0.4 dB

### Insertion Loss, Terminal Connector, typical

0.16 dB

**Return Loss, Connector, minimum** 65 dB

## Environmental Specifications

**Operating Temperature** -40 °C to +70 °C (-40 °F to +158 °F)  
**Relative Humidity** 5%–95%, non-condensing  
**Environmental Space** Above ground | Below ground  
**Qualification Standards** IEC 60529, IP65  
**UV Resistance** UV stabilized

## Packaging and Weights

**Packaging quantity** 1  
**Packaging Type** Box | Carton  
**Weight, without cable** 0.99 kg | 2.183 lb

## Regulatory Compliance/Certifications

<b>Agency</b>	<b>Classification</b>
CHINA-ROHS	Below maximum concentration value
ISO 9001:2015	Designed, manufactured and/or distributed under this quality management system
REACH-SVHC	Compliant as per SVHC revision on <a href="http://www.commscope.com/ProductCompliance">www.commscope.com/ProductCompliance</a>
ROHS	Compliant

