

243951



Mounting/Grounding Bracket

Product Classification

Product Type	Surge arrestor accessory
Ordering Note	CommScope® non-standard product

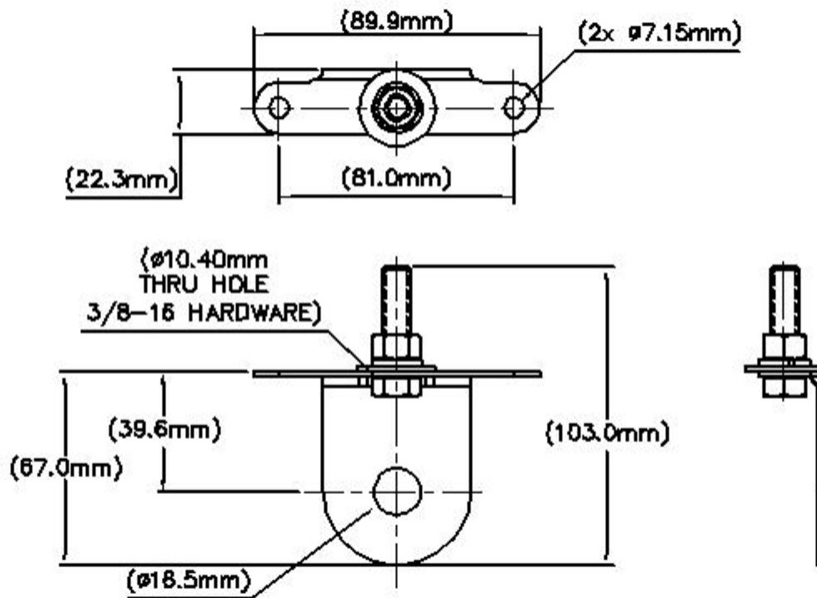
General Specifications

Interface	N Female Bulkhead
------------------	-------------------

Dimensions

Height	67 mm 2.638 in
Width	22.3 mm 0.878 in
Length	89.9 mm 3.539 in

Outline Drawing



Packaging and Weights

Packaging quantity 1

Weight, net 110 g | 0.243 lb

Regulatory Compliance/Certifications

Agency

ISO 9001:2015

REACH-SVHC

ROHS

Classification

Designed, manufactured and/or distributed under this quality management system

Compliant as per SVHC revision on www.commscope.com/ProductCompliance

Compliant

